

# CLIFF

## TERMINAL TP1



**CL1505** - TP/1 BLACK  
ASSEMBLED  
**CL1505U** - TP/1 BLACK  
UNASSEMBLED



**CL1506** - TP/1 RED  
ASSEMBLED  
**CL1506U** - TP/1 RED  
UNASSEMBLED



**CL1507** - TP/1 BLUE  
ASSEMBLED  
**CL1507U** - TP/1 BLUE  
UNASSEMBLED



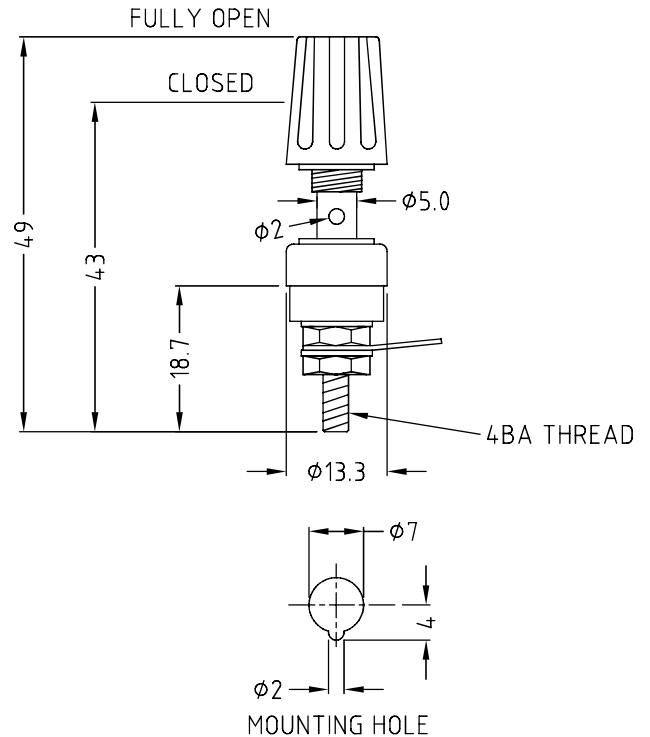
**CL1508** - TP/1 GREEN  
ASSEMBLED  
**CL1508U** - TP/1 GREEN  
UNASSEMBLED



**CL1511** - TP/1 BROWN  
ASSEMBLED  
**CL1511U** - TP/1 BROWN  
UNASSEMBLED



**CL1509** - TP/1 WHITE  
ASSEMBLED  
**CL1509U** - TP/1 WHITE  
UNASSEMBLED  
**CL1512** - TP/1 YELLOW  
ASSEMBLED  
**CL1512U** - TP/1 YELLOW  
UNASSEMBLED



Current Rating: 15A.  
Flammability: Min UL94HB

Unassembled parts come with top and bottom insulators, nuts and washers bulk packed.