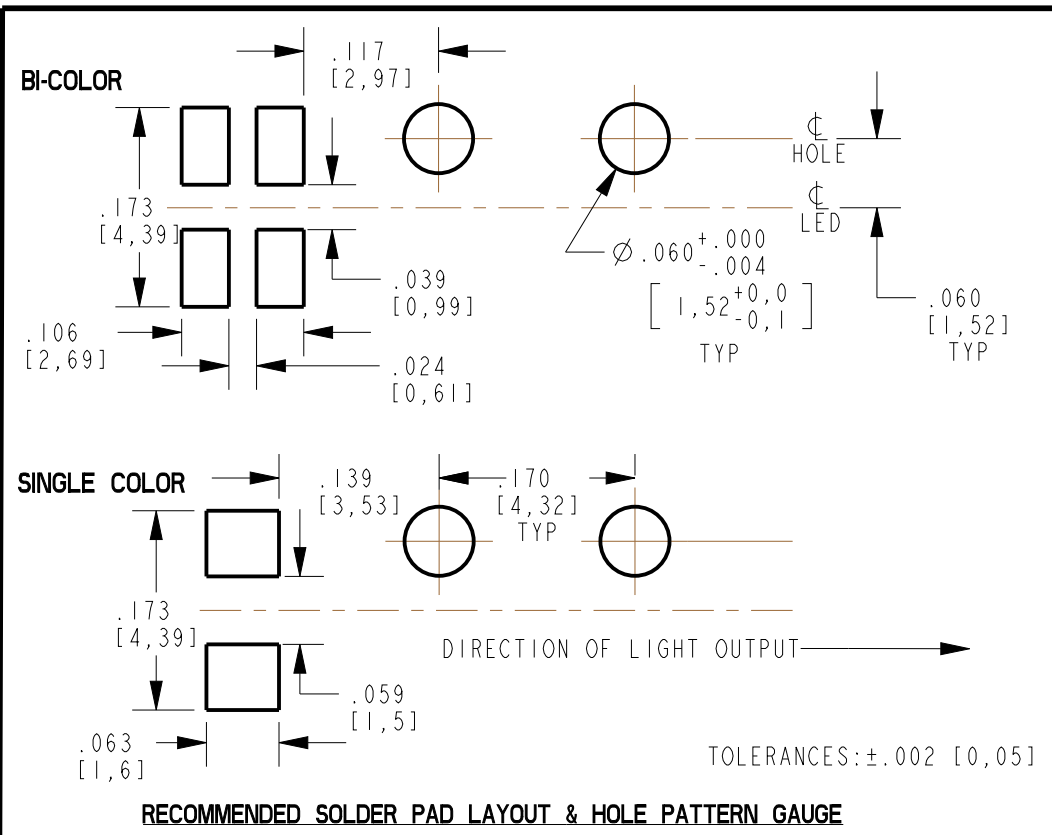
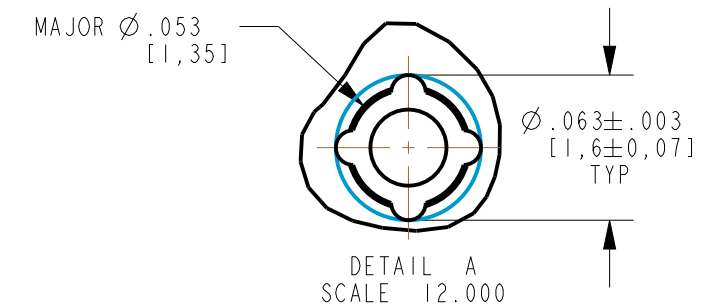
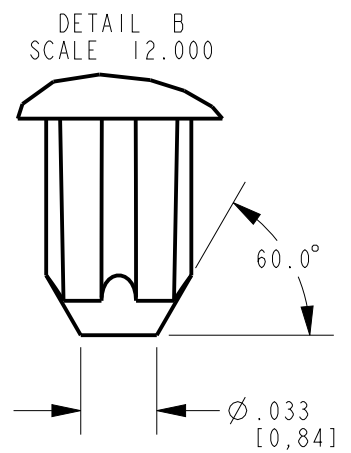
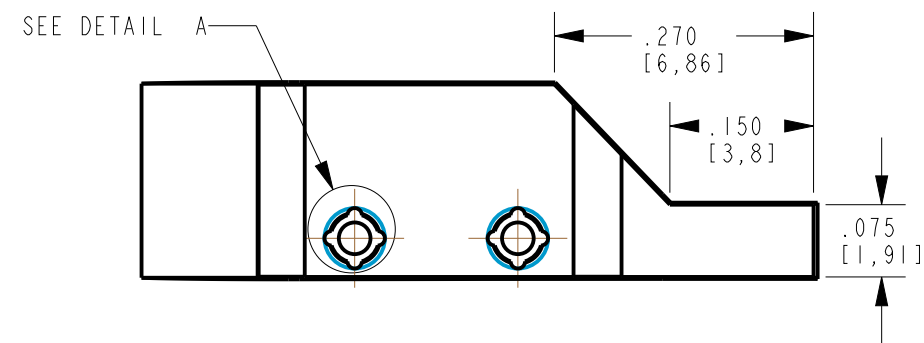
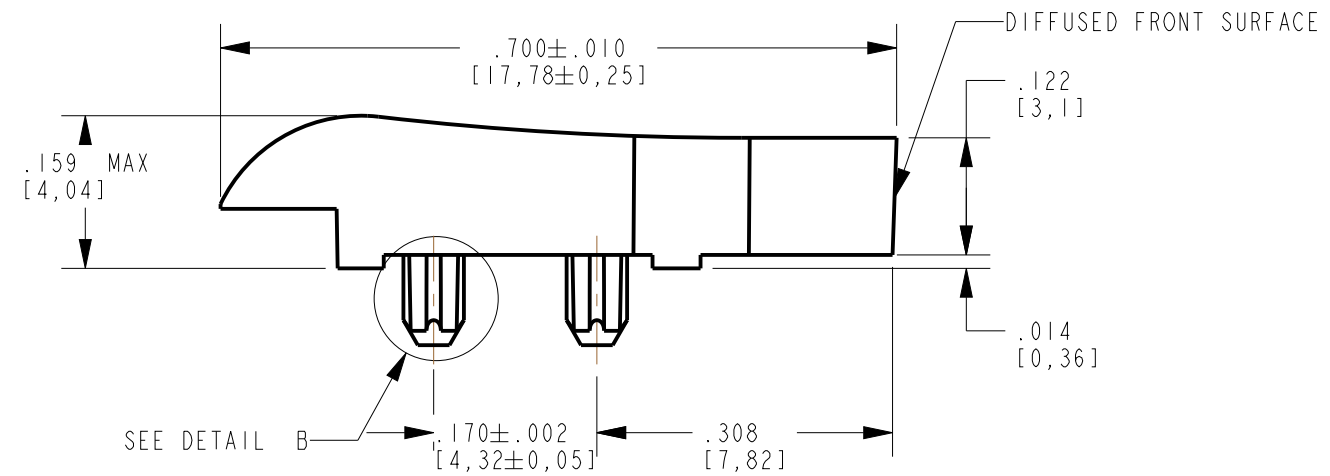
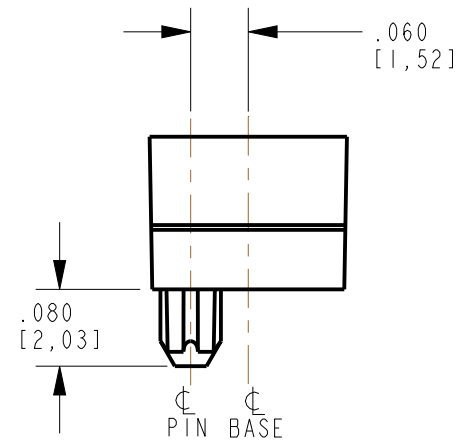


**RoHS COMPLIANT 515-1173F**

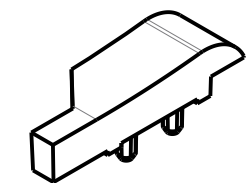
Part Numbers with the "F" suffix ending are RoHS Compliant.  
Packaging is marked with "RoHS Compliant" label or equivalent markings.

REV	ECN NO	REVISIONS	DRN	CKD	APP	DATE
A		NEW RELEASE	WFB	JTD	N.O.	4-21-14




**NOTES:**

1. DIALIGHT PART NUMBER : 515-1173F
2. COMPONENTS DESIGNED TO BE PRESSED INTO P.C. BOARD
3. OPERATING/STORAGE TEMPERATURE: -30°C TO +100°C
4. RECOMMENDED SMT LED DIALIGHT PART NUMBER:  
597-3XXI-507F & 597-77XI-507F (SINGLE & BI-COLOR)
5. MATERIAL TO BE CLEAR TRANSMISSIVE POLYCARBONATE  
(UL 94V-0 FLAMMABILITY)



SCALE 2.000

THIS DRAWING AND THE CONTENTS HEREIN ARE CONFIDENTIAL AND THE SOLE PROPERTY OF DIALIGHT CORP. REPRODUCTION OF THIS DRAWING OR CONSTRUCTION OF ANY PARTS WITHIN THIS DRAWING ARE FORBIDDEN WITHOUT THE WRITTEN CONSENT OF DIALIGHT CORP.		
SCALE: 5.000 ALL DIM'S: INCH (mm)	DRAWING NUMBER C-18025	REV A
TOLERANCES: UNLESS OTHERWISE SPECIFIED FRACTIONS: ±1/64 DECIMALS (.XX): ±.01 DECIMALS (.XXX): ±.005 DECIMALS (.XXXX): ±.0005 ANGLES: ±1°	TITLE SINGLE ELEMENT LP LEFT SIDE	
FINISH	MATERIAL	
FSCM 83330	 1501 ROUTE 34 SOUTH FARMINGDALE, NJ 07727 (732) 919-3119 www.dialight.com	
SHEET 1 OF 1		FAMILY TABLE: