



Connectors > Connector Accessories > Connector Strain Relief



Strain Relief Accessory Type: **Cable Crimp Kit**

Packaging Method: **Bag**

Packaging Quantity: **100**

### Features

#### Product Type Features

Strain Relief Accessory Type	Cable Crimp Kit
------------------------------	-----------------

#### Packaging Features

Packaging Method	Bag
Packaging Quantity	100

### Product Compliance

[For compliance documentation, visit the product page on TE.com>](#)

EU RoHS Directive 2011/65/EU	Compliant
EU ELV Directive 2000/53/EC	Compliant with Exemptions
China RoHS 2 Directive MIIT Order No 32, 2016	No Restricted Materials Above Threshold
EU REACH Regulation (EC) No. 1907/2006	Current ECHA Candidate List: JUNE 2024 (241) Candidate List Declared Against: JUNE 2022 (224) Does not contain REACH SVHC
Halogen Content	Low Halogen - Br, Cl, F, I < 900 ppm per homogenous material. Also BFR/CFR/PVC Free
Solder Process Capability	Not applicable for solder process capability

Product Compliance Disclaimer

This information is provided based on reasonable inquiry of our suppliers and represents our current actual knowledge based on the information they provided. This information is subject to change. The part numbers that TE has identified as EU RoHS compliant have a maximum concentration of 0.1% by weight in homogenous materials for lead, hexavalent chromium, mercury, PBB, PBDE, DBP, BBP, DEHP, DIBP, and 0.01% for cadmium, or qualify for an exemption to these limits as defined in the Annexes of Directive 2011/65/EU (RoHS2). Finished electrical and electronic equipment products will be CE marked as required by Directive 2011/65/EU. Components may not be CE marked. Additionally, the part numbers that TE has identified as EU ELV compliant have a maximum concentration of 0.1% by weight in homogenous materials for lead, hexavalent chromium, and mercury, and 0.01% for cadmium, or qualify for an exemption to these limits as defined in the Annexes of Directive 2000/53/EC (ELV). Regarding the REACH Regulation, the information TE provides on SVHC in articles for this part number is based on the latest European Chemicals Agency (ECHA) 'Guidance on requirements for substances in articles' posted at this URL: <https://echa.europa.eu/guidance-documents/guidance-on-reach>

### Compatible Parts



TE Part # 1478764-4  
CRIMP KIT 9.5MM



TE Part # 1583684-3  
DIE SET D CONN SIZE 10.0

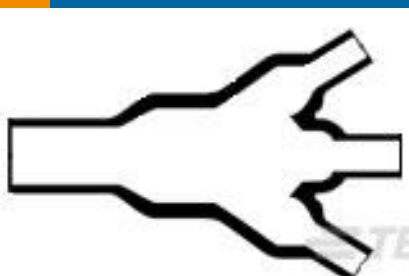
### Customers Also Bought




TE Part #326882  
TERMINAL, PIDG R 16-14 6



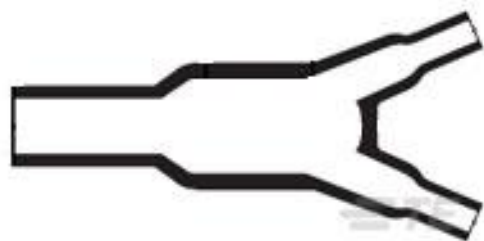
TE Part #3-644563-2  
02P MTA100 CONN ASSY F/T 24AWG




TE Part #458821-000  
462A023-25/86-0



TE Part #5-1478762-2  
Metal backshell 15 way Top Entry-KIT



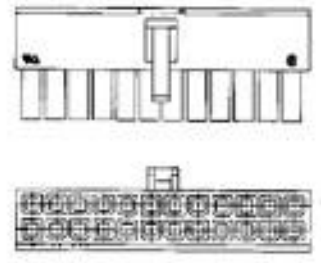
TE Part #879365-000  
382A023-25/86-0



TE Part #275417-000  
D-602-0142



TE Part #1478762-9  
METAL BACKSHELL 9 WAY TOP E



TE Part #794954-4  
4P RCPT VAL-U-LOK V2



## Documents

### Product Drawings

[CRIMP KIT 8.5MM](#)

English

### CAD Files

[3D PDF](#)

3D

Customer View Model

[ENG\\_CVM\\_CVM\\_1478764-3\\_D.2d\\_dxf.zip](#)

English

Customer View Model

[ENG\\_CVM\\_CVM\\_1478764-3\\_D.3d\\_igs.zip](#)

English

Customer View Model

[ENG\\_CVM\\_CVM\\_1478764-3\\_D.3d\\_stp.zip](#)

English

By downloading the CAD file I accept and agree to the [Terms and Conditions](#) of use.

### Product Specifications

[Product Specification](#)

English