

## Technical Characteristics

### Part Number

#### Han 10A Kit

Hood	Side Entry
Housing	Single Lever Bulkhead
Hood/Housing Material	Die Cast Aluminum
IP / NEMA	IP65 / 4, 4x, 12
Temp Rating	-40 to +125C
Cable Gland	M20 Metal
Cable Diameter	5-9mm / 6-12mm
Insert	Han 10A, 10+GND
Screw Terminals	18-14AWG
Wire Strip Length	7.5mm
Mating Cycles	> 500
Flammability	V-0

#### Electrical Characteristics

Rated Current	16amps
Rated Voltage	600V UL
Rated Impulse Voltage	4kV

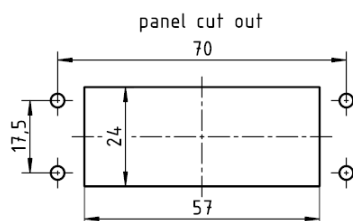
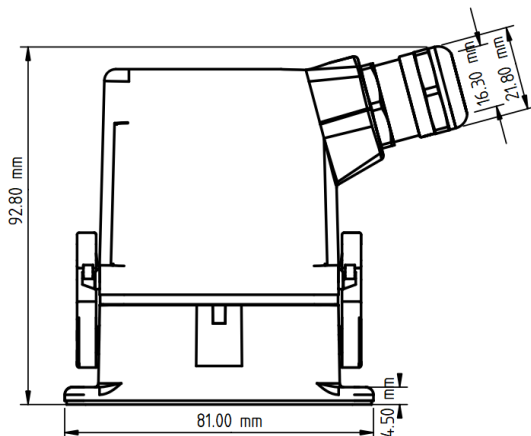
**10 20 010 0000**

**UL508**



## Drawings and Assembly Information

Dimensions in mm



Tooling and Torque Values		
Type	Tool	Torque (Nm)
Terminal Screws (M3)	PH1 or Slotted 0.6 x 3.5	0.50
Fixing Screw (M3)	PH1 or Slotted 0.6 x 3.5	0.50
Mounting Screws (M3 recommended)	-	0.8...1.0
Cable Gland (M20)	SW 22	10

Kit Contents	
Male Insert	09 20 010 2612
Female insert	09 20 010 2812
Housing	09 20 010 0301
Hood	19 20 010 1540
Cable Gland	19 00 000 5081