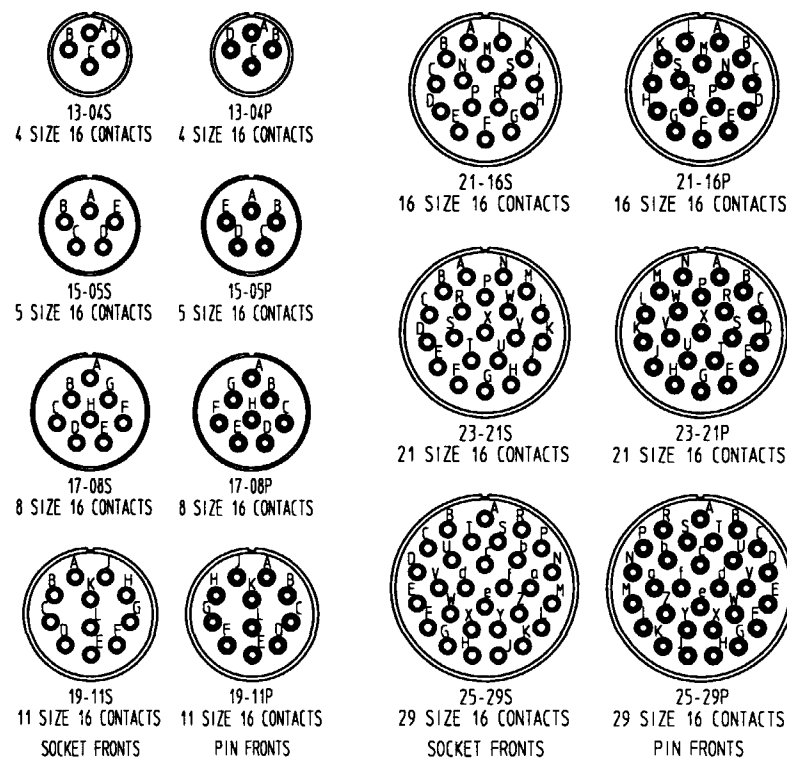
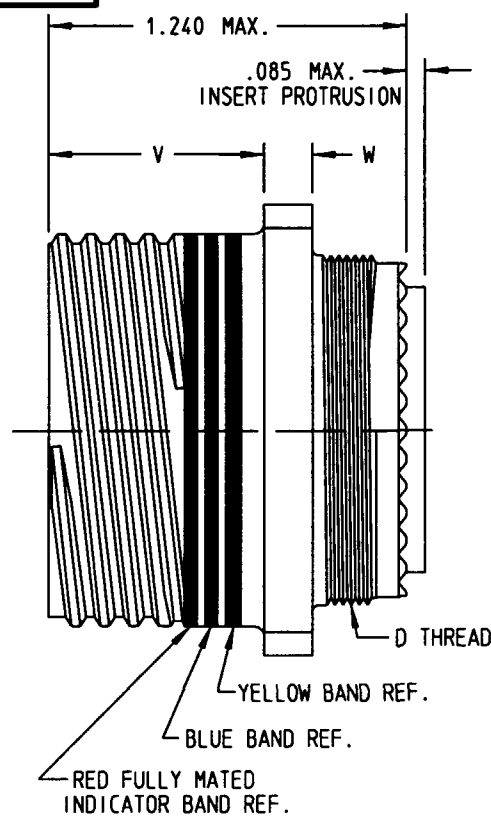
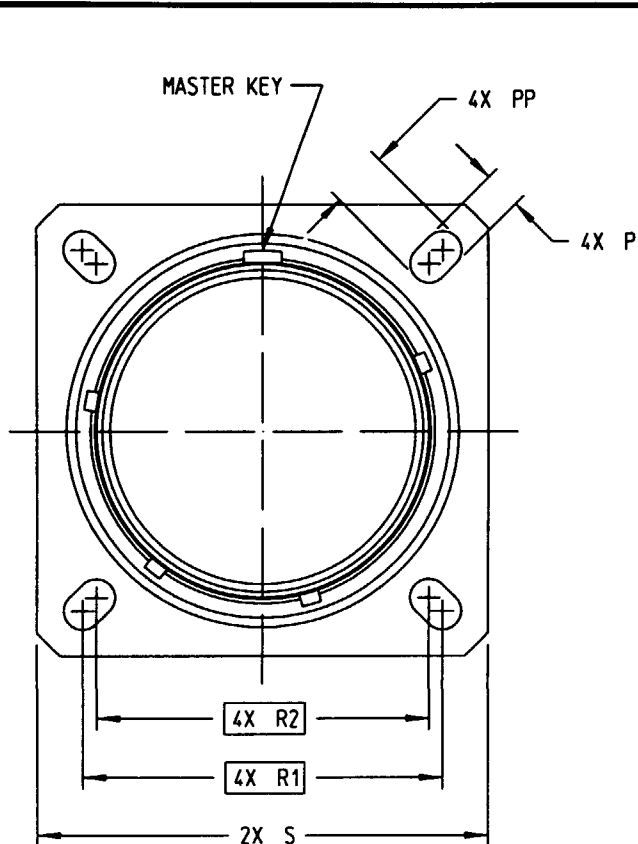


PROPERTY OF DEUTSCH E.C.D.
 This drawing contains proprietary information that shall not be disclosed, duplicated,
 nor used in whole or in part for any purpose other than to evaluate this drawing.

A 59050-***P/S*

| REVISIONS | | | |
|-----------|------------------------|--------|----------|
| REV | DESCRIPTION | DATE | APPROVED |
| A | CHANGED PER E.O. C3134 | 3-4-98 | BTM |



4. AVAILABLE INSERT ARRANGEMENTS

| DEUTSCH PART NO. | SHELL SIZE | D THREAD | P _{+0.004} -0.002 | PP _{+0.004} -0.002 | R1 | R2 | S ± 0.11 | V _{+0.055} -0.000 | W |
|------------------|------------|-------------------|-------------------------------|--------------------------------|-------|-------|----------|-------------------------------|-----------|
| 59050-13-04P/S* | 13 | M18X1.0-6g 0.100R | .128 | .194 | .906 | .812 | 1.126 | .768 | .144/.083 |
| 59050-15-05P/S* | 15 | M22X1.0-6g 0.100R | .128 | .173 | .969 | .906 | 1.220 | .768 | .144/.083 |
| 59050-17-08P/S* | 17 | M25X1.0-6g 0.100R | .128 | .194 | 1.062 | .969 | 1.311 | .768 | .144/.083 |
| 59050-19-11P/S* | 19 | M28X1.0-6g 0.100R | .128 | .194 | 1.156 | 1.062 | 1.437 | .768 | .144/.083 |
| 59050-21-16P/S* | 21 | M31X1.0-6g 0.100R | .128 | .194 | 1.250 | 1.156 | 1.563 | .736 | .171/.083 |
| 59050-23-21P/S* | 23 | M34X1.0-6g 0.100R | .154 | .242 | 1.375 | 1.250 | 1.689 | .736 | .171/.083 |
| 59050-25-29P/S* | 25 | M37X1.0-6g 0.100R | .154 | .242 | 1.500 | 1.375 | 1.811 | .736 | .171/.083 |

5. CONNECTOR SUPPLIED LESS CONTACTS.
4. FOR APPLICABLE KEYING DIAGRAM, SEE MIL-C-38999. FOR ADDITIONAL INSERT ARRANGEMENT INFORMATION, SEE MIL-STD-1560. CONSULT FACTORY FOR AVAILABILITY.
3. GENERAL SPECIFICATIONS. THIS CONNECTOR MEETS THE INTERMATEABILITY REQUIREMENTS OF MIL-C-38999, SERIES III.
2. MATERIAL / FINISH SHELL - COMPOSITE, NICKEL PLATED PER QQ-N-290
 RESILIENT INSERTS - SILICONE ELASTOMER
 PLASTIC INSERTS - THERMOPLASTIC
1. ALL DIMENSIONS ARE IN INCHES UNLESS OTHERWISE SPECIFIED.
 THREAD CALLOUTS ARE METRIC.

| | |
|------------------|-----------------------|
| SIGNATURE & DATE | |
| DR | D. WHITACRE 1/27/97 |
| CHK | B. HARRINGTON 5/15/97 |
| PE | D. WHITACRE 1/27/97 |
| APPD | <i>SDH</i> |
| SCALE | NONE WT |

CONNECTOR, RECEPTACLE
 SQUARE FLANGE MOUNTING
 THREADED COUPLING
 YELLOW BAND
 ACT TYPE
 ENVELOPE

MATL CODE
DEUTSCH
 ENGINEERED CONNECTING DEVICES
 36033 Whittier Ave.
 Hemet, California

A 59050-***P/S*
 DWG SIZE CODE TYP SHEET 1 OF 1