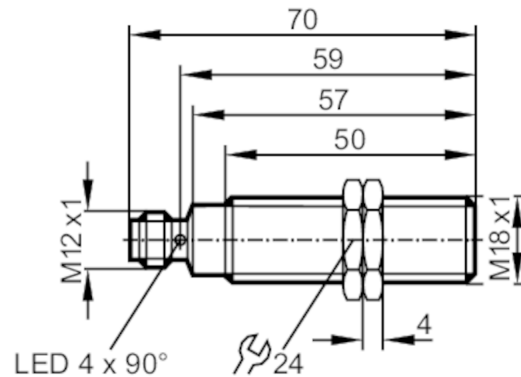


IGC250



Inductive full-metal sensor

IGK34,5-APKG/AM/US-104/K0



Product characteristics

Electrical design	PNP
Output function	normally closed
Sensing range [mm]	4.5
Housing	threaded type
Dimensions [mm]	M18 x 1 / L = 70

Application

Special feature	Gold-plated contacts; Full-metal housing; Correction factor K = 0
Application	Use in machine tools, coolants and lubricants
Media	ferrous only; aluminium chip immune
Pressure rating [bar]	100
Note on pressure rating	sensing face

Electrical data

Operating voltage [V]	10...36 DC
Current consumption [mA]	< 20
Protection class	III
Reverse polarity protection	yes

Outputs

Electrical design	PNP
Output function	normally closed
Max. voltage drop switching output DC [V]	2.5
Permanent current rating of switching output DC [mA]	100
Switching frequency DC [Hz]	100
Short-circuit protection	yes
Type of short-circuit protection	pulsed
Overload protection	yes

Detection zone

Sensing range [mm]	4.5
--------------------	-----

IGC250



Inductive full-metal sensor

IGK34,5-APKG/AM/US-104/K0

Operating distance	[mm]	0...3.64
--------------------	------	----------

Accuracy / deviations

Correction factor		steel: 1 / stainless steel: 0.5
Hysteresis	[% of Sr]	1...20
Correction factor K = 0		yes

Operating conditions

Ambient temperature	[°C]	-25...70
Protection		IP 68; ("Coolant")

Tests / approvals

EMC	EN 61000-4-2 ESD	4 kV CD / 8 kV AD
	EN 61000-4-3 HF radiated	10 V/m
	EN 61000-4-4 Burst	2 kV
	EN 61000-4-6 HF conducted	10 V
	EN 55011	class B
Impact resistance		1 J
MTTF	[years]	1258
UL approval	Ta	0...40 °C
	Enclosure type	Type 1
	power supply	Limited Voltage/Current
	File number UL	E174191

Mechanical data

Weight	[g]	55.3
Housing		threaded type
Mounting		flush mountable
Dimensions	[mm]	M18 x 1 / L = 70
Thread designation		M18 x 1
Materials		housing: stainless steel (316L/1.4404); sensing face: stainless steel (316L/1.4404); LED window: PA; lock nuts: stainless steel (316L/1.4404)
Full-metal housing		yes

Displays / operating elements

Display	switching status	4 x 90° LED, yellow
---------	------------------	---------------------

Accessories

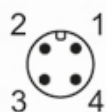
Items supplied		lock nuts: 2
----------------	--	--------------

Remarks

Pack quantity		1 pcs.
---------------	--	--------

Electrical connection - plug

Connector: 1 x M12; coding: A; Contacts: gold-plated



IGC250



Inductive full-metal sensor

IGK34,5-APKG/AM/US-104/K0

Connection

