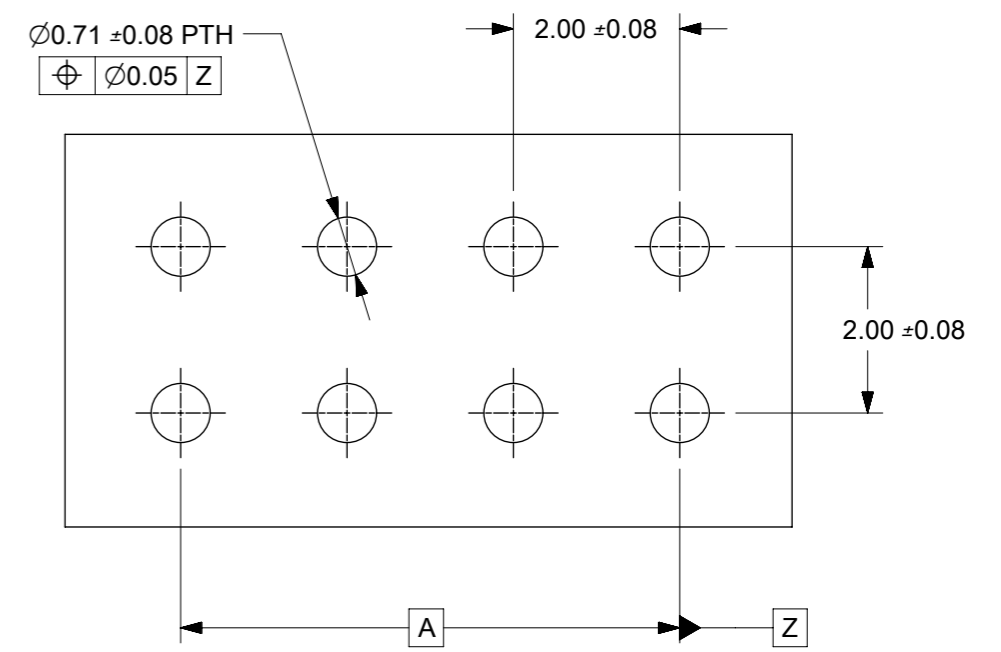


- NOTES:
- MATERIALS:
HOUSING: LCP, GLASS FILLED, UL94V-0, BLACK
TERMINAL: COPPER ALLOY
 - FINISHES: 2.50μM TIN OVER 1.25μM NICKEL UNDERPLATE
 - PRODUCT SPECIFICATION: PS-78787-001
 - PACKAGING SPECIFICATION: PK-78787-001
 - MATES WITH: 87758, 87759, 87760, 87831, 87832, 87833
 - MOLEX LOGO AND CAVITY ID IS LOCATED APPROXIMATELY AS SHOWN
 - FOR ILLUSTRATION, 8 CIRCUITS IS SHOWN
CIRCUIT NUMBERS ARE COUNTED FROM LEFT TO RIGHT ON TOP VIEW
(GATE RECESS ON THE RIGHT AS SHOWN)
 - SEE SHEET 2 FOR CIRCUIT SIZE PART NUMBER & DIMENSIONS

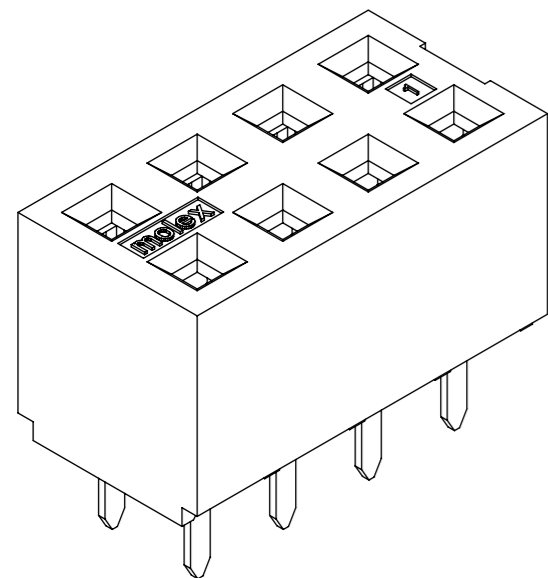


RECOMMENDED PCB LAYOUT

THIS DRAWING CONTAINS INFORMATION THAT IS PROPRIETARY TO MOLEX ELECTRONIC TECHNOLOGIES, LLC AND SHOULD NOT BE USED WITHOUT WRITTEN PERMISSION											
DIMENSION UNITS		SCALE		CURRENT REV DESC: CKT POS CHANGE						molex	
mm		NTS									
GENERAL TOLERANCES (UNLESS SPECIFIED)				EC NO: 619055		DRWN: HK02		2019/05/14		SALES DRAWING	
				CHK'D: NMANE02		2019/07/09		2019/07/09		2MM DUAL ROW TH MILLIGRID VERT RECEPT	
4 PLACES ±				APPR: MRAMAKRISHNA		2019/07/09		PRODUCT CUSTOMER DRAWING			
3 PLACES ±				INITIAL REVISION:		DRWN: GMENARLY		2012/12/13		DOCUMENT NUMBER	
2 PLACES ± 0.25				APPR: BOKOK		2013/05/30		SD-78787-001		DOC TYPE DOC PART REVISION	
1 PLACE ±				DRAFT WHERE APPLICABLE MUST REMAIN WITHIN DIMENSIONS		THIRD ANGLE PROJECTION		DRAWING		SERIES	
0 PLACES ±				ANGULAR TOL ± 0.5°		A3-SIZE		78787		MATERIAL NUMBER	
								SEE TABLE		CUSTOMER	
								GENERAL MARKET		SHEET NUMBER	
								1 OF 3			

CIRCUIT NUMBER	PART NUMBER	DIM A	DIM B	DIM C	DIM D
6	78787-0654	4	6.19	1.91	2.00
8	78787-0854	6	8.19		3.00
10	78787-1054	8	10.19		4.00
12	78787-1254	10	12.19		5.00
14	78787-1454	12	14.19		6.00
16	78787-1654	14	16.19		7.00
18	78787-1854	16	18.19		8.00
20	78787-2054	18	20.19		9.00
22	78787-2254	20	22.19		10.00
24	78787-2454	22	24.19		11.00
26	78787-2654	24	26.19		12.00
28	78787-2854	26	28.19		13.00
30	78787-3054	28	30.19		14.00
32	78787-3254	30	32.19		15.00
34	78787-3454	32	34.19		16.00
36	78787-3654	34	36.19		17.00
38	78787-3854	36	38.19		18.00
40	78787-4054	38	40.19		19.00
42	78787-4254	40	42.19		20.00
44	78787-4454	42	44.19		21.00
46	78787-4654	44	46.19		22.00
48	78787-4854	46	48.19		23.00
50	78787-5054	48	50.19		24.00

CIRCUIT NUMBER	PART NUMBER	DIM A	DIM B	DIM C	DIM D
6	78787-0664	4	6.19	3.00	2.00
8	78787-0864	6	8.19		3.00
10	78787-1064	8	10.19		4.00
12	78787-1264	10	12.19		5.00
14	78787-1464	12	14.19		6.00
16	78787-1664	14	16.19		7.00
18	78787-1864	16	18.19		8.00
20	78787-2064	18	20.19		9.00
22	78787-2264	20	22.19		10.00
24	78787-2464	22	24.19		11.00
26	78787-2664	24	26.19		12.00
28	78787-2864	26	28.19		13.00
30	78787-3064	28	30.19		14.00
32	78787-3264	30	32.19		15.00
34	78787-3464	32	34.19		16.00
36	78787-3664	34	36.19		17.00
38	78787-3864	36	38.19		18.00
40	78787-4064	38	40.19		19.00
42	78787-4264	40	42.19		20.00
44	78787-4464	42	44.19		21.00
46	78787-4664	44	46.19		22.00
48	78787-4864	46	48.19		23.00
50	78787-5064	48	50.19		24.00




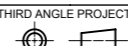
PART NUMBER LEGEND

78787 - X X X 4

CIRCUIT NUMBER

- 5. DIM C = 1.91MM
RECOMMENDED PCB THICKNESS = 0.80MM
- 6. DIM C = 3.00MM
RECOMMENDED PCB THICKNESS = 1.60MM

4. WITHOUT CAP IN TUBE

THIS DRAWING CONTAINS INFORMATION THAT IS PROPRIETARY TO MOLEX ELECTRONIC TECHNOLOGIES, LLC AND SHOULD NOT BE USED WITHOUT WRITTEN PERMISSION											
DIMENSION UNITS		SCALE		CURRENT REV DESC: CKT POS CHANGE							
mm		NTS		 <p>SALES DRAWING 2MM DUAL ROW TH MILLIGRID VERT RECEIPT</p> <p>PRODUCT CUSTOMER DRAWING</p>							
GENERAL TOLERANCES (UNLESS SPECIFIED)											
		MM	INCH	EC NO: 619055				DOCUMENT NUMBER			
4 PLACES	±			DRWN: HK02 2019/05/14				SD-78787-001			
3 PLACES	±			CHK'D: NMANE02 2019/07/09				DOC TYPE DOC PART REVISION			
2 PLACES	±	0.25		APPR: MRAMAKRISHNA 2019/07/09				PSD 001 A2			
1 PLACE	±			INITIAL REVISION:				MATERIAL NUMBER			
0 PLACES	±			DRWN: GMENARLY 2012/12/13				CUSTOMER			
ANGULAR TOL		± 0.5°		APPR: BOKOK 2013/05/30				GENERAL MARKET			
DRAFT WHERE APPLICABLE MUST REMAIN WITHIN DIMENSIONS				THIRD ANGLE PROJECTION		DRAWING		SERIES		SHEET NUMBER	
						A3-SIZE		78787		2 OF 3	

BOARD TO BOARD (BTB) DISTANCE

RECEPTACLE	MATES WITH(HEADER)	BTB DISTANCE	PICTORIAL VIEW
78787	87831	6.94	
	87832	8.14	
	151117	6.94	
	151118	8.14	

THIS DRAWING CONTAINS INFORMATION THAT IS PROPRIETARY TO MOLEX ELECTRONIC TECHNOLOGIES, LLC AND SHOULD NOT BE USED WITHOUT WRITTEN PERMISSION													
DIMENSION UNITS		SCALE		CURRENT REV DESC: CKT POS CHANGE									
mm		NTS											
GENERAL TOLERANCES (UNLESS SPECIFIED)				EC NO: 619055				SALES DRAWING 2MM DUAL ROW TH MILLIGRID VERT RECEPT					
				DRWN: HK02 2019/05/14									
4 PLACES		±		CHK'D: NMANE02 2019/07/09				PRODUCT CUSTOMER DRAWING					
3 PLACES		±		APPR: MRAMAKRISHNA 2019/07/09									
2 PLACES		± 0.25		INITIAL REVISION:				DOCUMENT NUMBER		DOC TYPE		DOC PART	
1 PLACE		±		DRWN: DRWN BY XXXX/XX/XX				SD-78787-001		PSD		001	
0 PLACES		±		APPR: APPR BY XXXX/XX/XX								A2	
ANGULAR TOL		± 0.5°		DRAFT WHERE APPLICABLE MUST REMAIN WITHIN DIMENSIONS				THIRD ANGLE PROJECTION		DRAWING		SERIES	
								A3-SIZE		78787		MATERIAL NUMBER	
				CUSTOMER				GENERAL MARKET		SHEET NUMBER		3 OF 3	