

NOTES1:

- UL Standard
- 1. Rated voltage/current : 300V / 41A
- 2. Withstanding voltage : AC1600V/1Min.

IEC Standard

1. Pollution degree	2	2	3
Overvoltage category	II	III	III
Rate impulse voltage(KV)	6KV	6KV	6KV
Rate voltage(V)	1000V	630V	630V
Rate current(A)		41A	

NOTES2:

- 1. Dimension shall be interpreted per ASME Y14.5-2009
- 2. Pitch : 7.62mm, Poles : N=02~12P
- 3. Operating temperature: -40°C~+105°C
- 4. Undimensioned tolerances:

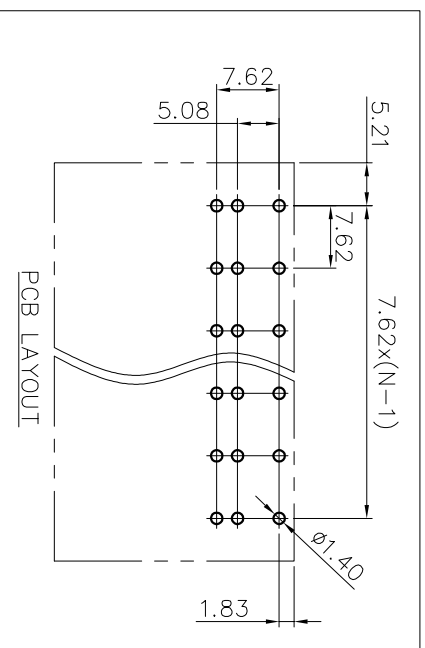
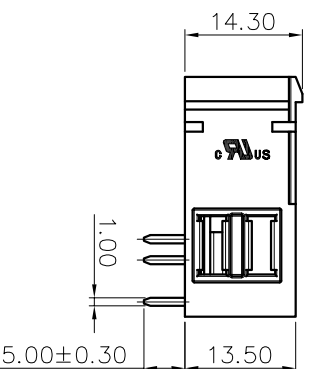
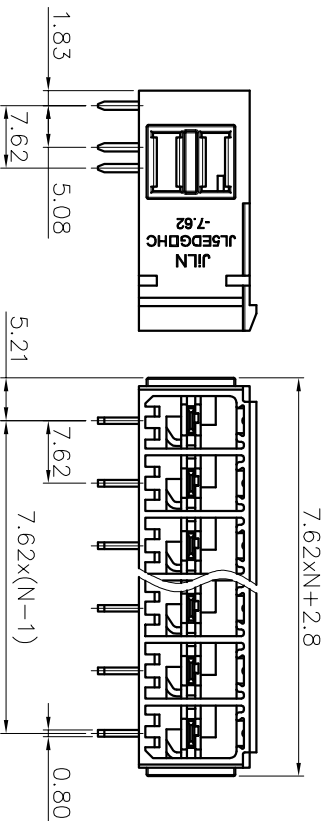
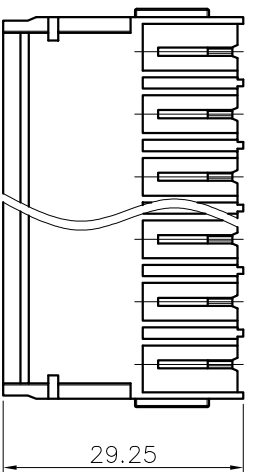
Pitch range in mm	Nominal dimension range in mm			Tolerance
	Over 6	Over 10	Over 30	
TO 6	TO 10	TO 30	TO 60	0.1/10
TO 10	TO 24	TO 30	TO 100	<
			TO 150	<

5. RoHS Compliance

Ordering Information

JL5EDGRHC-762 XX G 0 1

Pitch 762=7.62PH
No. of pins 2P, 3P, 4P~12P
Housing Color B=Black, G=Green, U=Blue, R=Red, V=White, Y=Yellow, D=Drange, E=Grey
Packing 0=Pe-bag, T=Tube, A=Tray



REVISION RECORD			
REV	ECN	DESCRIPTION	DRFT DATE
A0		NEW	20.12.02

DRAW	SHUANGPING ZHENG		SCALE	FIT	PART NO.	JL5EDGRHC-762XXG01
	UNIT	mm				
CHECK	LICHAD LIU		SIZE	A4	TITLE:	JL5EDGRHC-7.62-XXP 插拔式公座/绿色/弯脚
	SHEET	1/1				
APPROVE	YONGLIANG GAO		PRD			

JILIN 东莞市锦凌电子有限公司
DONGGUAN JINLING ELECTRONIC CO., LTD