



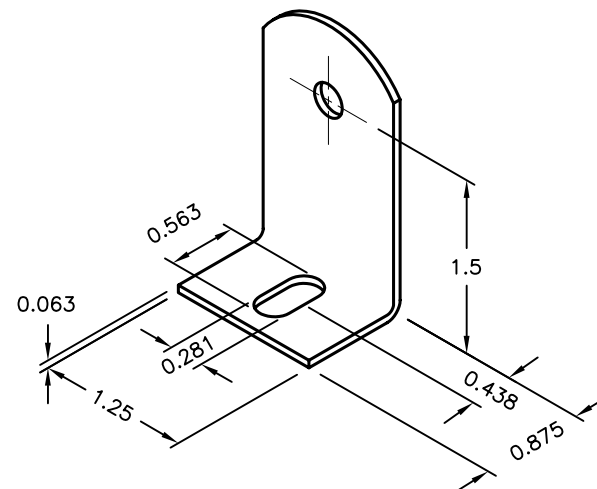
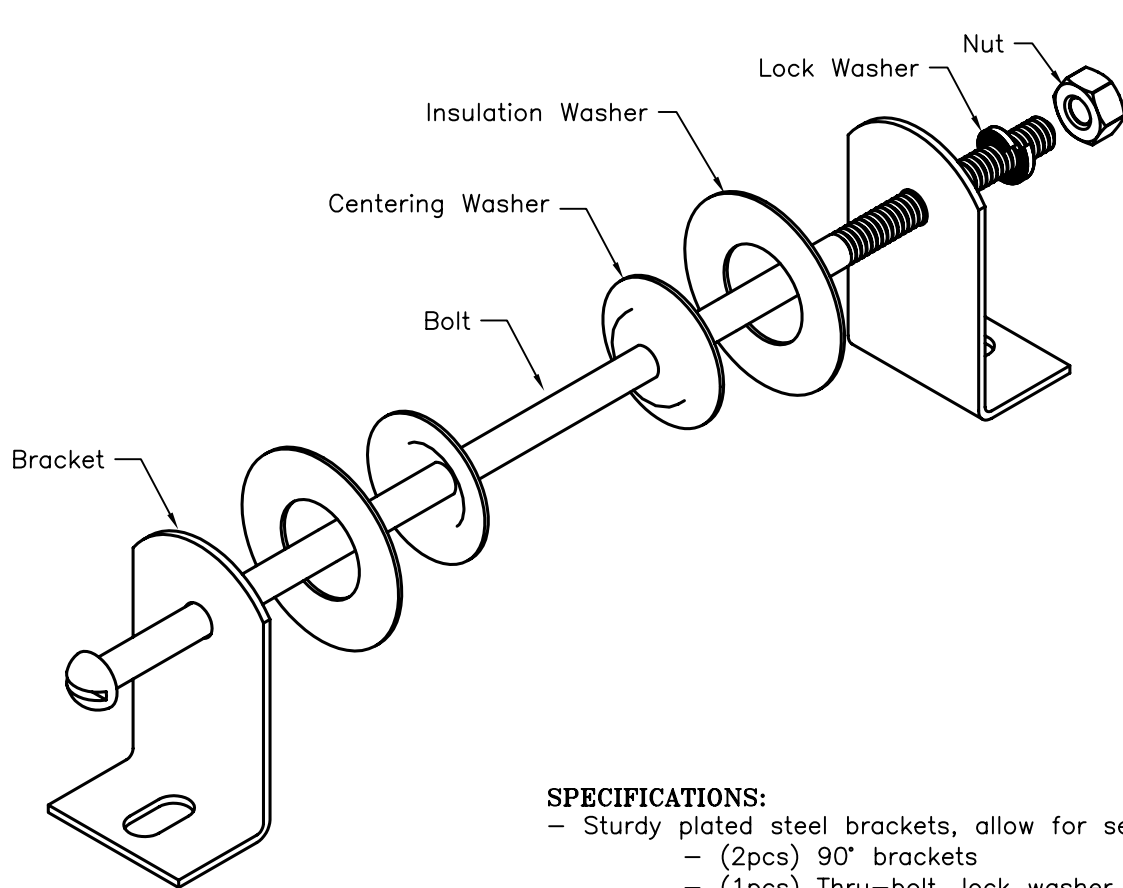
ALL RIGHTS RESERVED. NO PORTION OF THIS PUBLICATION, WHETHER IN WHOLE OR IN PART CAN BE REPRODUCED WITHOUT THE EXPRESS WRITTEN CONSENT OF SPC TECHNOLOGY.

SPC-F005.DWG

REVISIONS

DOC. NO. SPC-F005 \* Effective: 7/8/02 \* DCP No: 1398

| DCP # | REV | DESCRIPTION | DRAWN | DATE     | CHECKD | DATE     | APPRVD | DATE     |
|-------|-----|-------------|-------|----------|--------|----------|--------|----------|
| 1868  | A   | RELEASED    | BYF   | 11/21/05 | HO     | 11/28/05 | JWM    | 11/29/05 |



Brackets Dimensions

**SPECIFICATIONS:**

- Sturdy plated steel brackets, allow for secure mounting of 300 Wirewound type resistors. Includes:
  - (2pcs) 90° brackets
  - (1pcs) Thru-bolt, lock washer and nut
  - (2pcs) Centering washers
  - (2pcs) Insulating washers

DISCLAIMER:  
ALL STATEMENTS AND TECHNICAL INFORMATION CONTAINED HEREIN ARE BASED UPON INFORMATION AND/OR TESTS WE BELIEVE TO BE ACCURATE AND RELIABLE. SINCE CONDITIONS OF USE ARE BEYOND OUR CONTROL, THE USER SHALL DETERMINE THE SUITABILITY OF THE PRODUCT FOR THE INTENDED USE AND ASSUME ALL RISK AND LIABILITY WHATSOEVER IN CONNECTION THEREWITH.

TOLERANCES:

UNLESS OTHERWISE SPECIFIED,  
Angles  $\pm 0.5^\circ$   
.XX  $\pm 0.010$   
.XXX  $\pm 0.005$   
Features On CL  $\pm 0.010$

|               |          |
|---------------|----------|
| DRAWN BY:     | DATE:    |
| BASAM YOUSIF  | 11/21/05 |
| CHECKED BY:   | DATE:    |
| HISHAM ODISH  | 11/28/05 |
| APPROVED BY:  | DATE:    |
| JEFF MCVICKER | 11/29/05 |

DRAWING TITLE:  
**Thru-Bolt Mounting Bracket, For Single 300W Wirewound Resistor**

|      |          |                 |     |
|------|----------|-----------------|-----|
| SIZE | DWG. NO. | ELECTRONIC FILE | REV |
| A    | MC14761  | 33K3838.DWG     | A   |

SCALE: NTS      U.O.M.: INCHES      SHEET: 1 OF 1