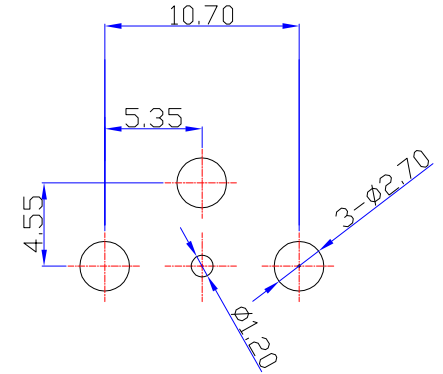
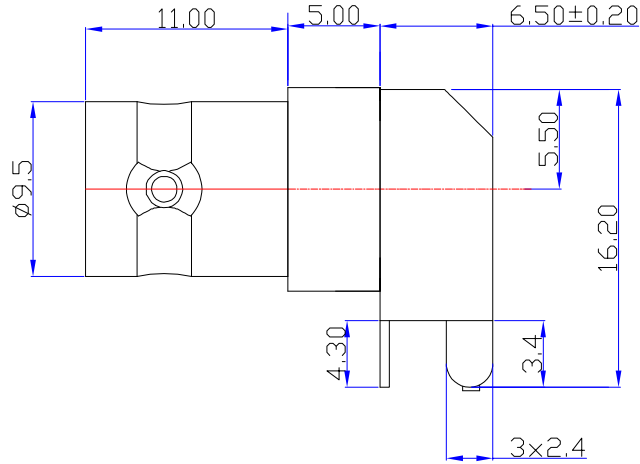
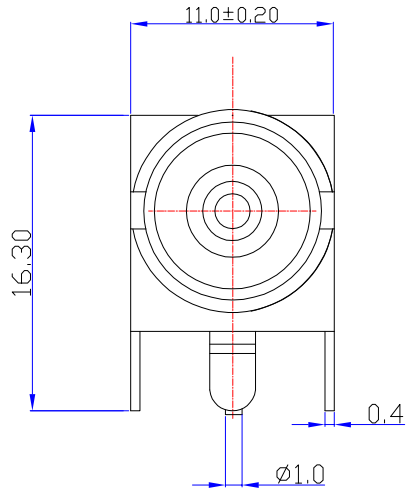




Product NO.		DOSIN-801-0073		
REV	DESCRIPTION	DWN	DATE	APPROVEN
A	First issue	Mr. chen	2021/12/09	John kine



PCB LAYOUT
(BOTTOM VIEW)

SPECIFICATIONS:

Impedance: 75 Ohms
 Frequency Range: DC~3G
 VSWR: 1.3MAX
 Working Voltage: 15 watts continuous
 Insulation Resistance: 5000 Ohms min
 Temperature Range: -55°C TO +155°C
 Service Life Times: 500 Times
 Drawings products are in line with ROHS standards

1	BODY	BRASS	NICKEL	1
2	CONDUCTOR	BRASS	GOLD	1
3	INSULATION	POM	None	1
4	STAND	TIN PLATE	NICKEL	1
5				
6				
7				
8				
9				
10				
NO	Component Number	Material	Finish	Q' TY

NOTE:	
DRAWN	chen
CHECKED	
APPROVALS	
Tolerance	X. ±0.15 X.X ±0.10 X.XX ±0.05 Angular ±5°
View	
UNIT	MM
SCALE	1:1

Dosing Industrial (HK) Co., Ltd 东莞市德索五金电子制品有限公司 Dosing Hardware Electronics Co., Ltd		E-mail: dosin2005@163.com dosin2005@dosin-china.com Web: http://www.dosinconn.com TEL: (0086) 769-81153906 FAX: (0086) 769-81875836
Name: BNC JACK CONNECTOR DNN		
SIZE	Product NO. DOSIN-801-0073	REV
A		A
Date	2021/12/09	CAD FILE
		H/company drawings/BD
SHEET: 1 OF 1		