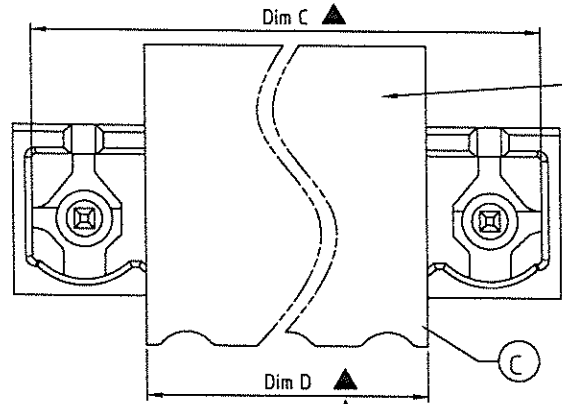


RoHS Compliant

Rev	SIGN	DATE	DESCRIPTION	APPROVER
C		2020.12.02	Add the RoHS and Critical dimension	PansLee
		2020.12.02	The Tolerance is changed from $\pm 0.25$ to $+0.40/-0.25$	PansLee

*THIS IS CAD DRAWING, DO NOT REVISE MANUALLY!!!*



Note: 3P Cover for odd poles  
2p Cover for even poles

Poles	Dim D
2P	9.04
3P	14.08

Material:

- Item Male contact pin: Copper Bright Tin plated over Nickel plated
- Item Terminal(housing): LCP (UL94V-0)
- Item With cover: LCP (UL94V-0)

Electrical: cULus

- Voltage rating: 300V
- Current rating: 20A
- Withstanding Voltage: 1.6 KV
- Operating temperature:  $-45^{\circ}\text{C}$  to  $+130^{\circ}\text{C}$
- Reflow soldering temperature:  $260^{\circ}\text{C}/10$  Sec max
- Safety Approval:
- Critical dimension:

OQ xx 5 E x 0 Bxxx G

- No. OF POLES  
02 : 2 POLES  
03 : 3 POLES  
12 : 12 POLES

Color  
0 Black (RAL9005)

G RoHS compliant (lead<4%) in copper Alloy  
B000: "@" Logo (Standard)  
B00A: "ANYTEK" Mark  
Any special item by customer request, please contact sales department.

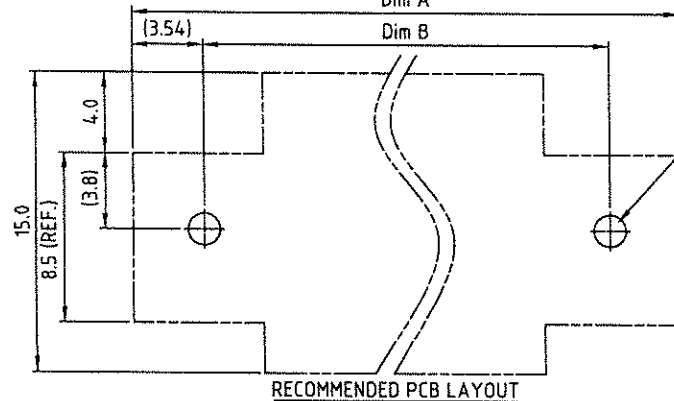
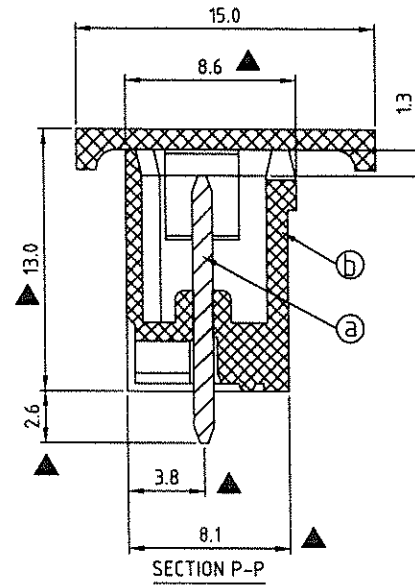
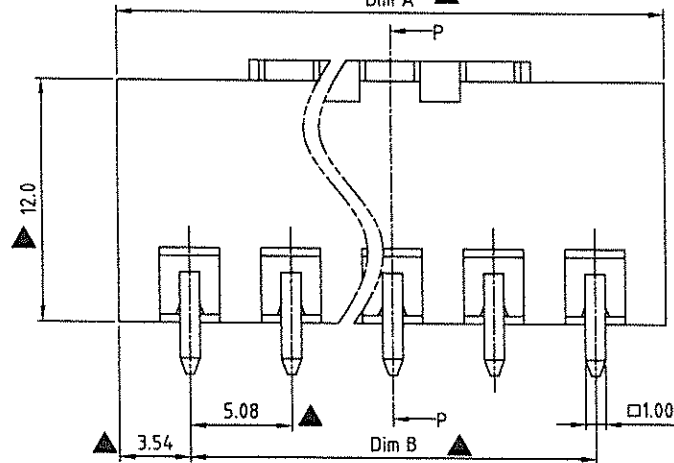


**Amphenol ANYTEK**

**CUSTOMER COPY**

ALL RIGHTS RESERVED. REPRODUCTION OR ISSUE TO THIRD PARTIES IN ANY FORM WHATSOEVER IS NOT PERMITTED WITHOUT WRITTEN AUTHORITY FROM THE PROPRIETOR. PROPERTY OF ANYTEK TECHNOLOGY CO., LTD

TITLE		OQ 5.08mm 180° Series 2P-12P Close THR (With cover & Tape reel)			
PART NO.		OQxx5Ex0BxxxG		DWG NO.	80Q0G19
APPROVED	CHECKED	DESIGNED	DRAWN	CUST NO.	Tolerance
		PansLee 2020.12.02	PansLee 2020.12.02		X. $\pm 0.50$ X.X $\pm 0.30$ X.XX $\pm 0.10$ X° $\pm 1^{\circ}$
SHEET: 01/01				UNIT: mm	SCALE: NONE
				REV: C	



$\phi 1.60$  Typ. N= NUMBER OF POLES

Dim A	$N \times 5.08 + 2.0$
Dim B	$(N-1) \times 5.08$
Dim C	$(N-1) \times 5.08 + 5.48$

Poles	Tolerance (Dim A/B/C)
2P-3P	$\pm 0.15$
4P-8P	$\pm 0.20$
9P-12P	$+0.40$ $-0.25$