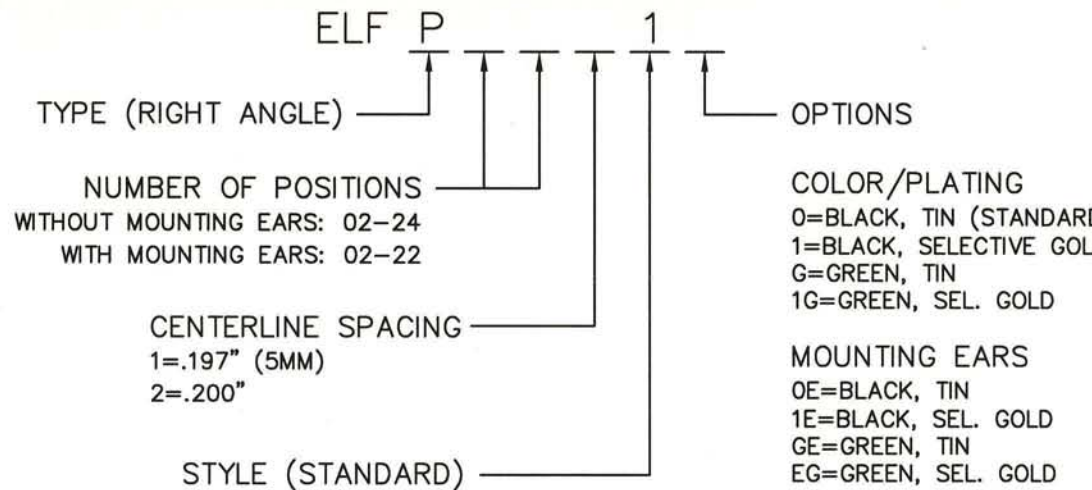



## ELFP SERIES PART NUMBERING SCHEME




**COLOR/PLATING**  
 0=BLACK, TIN (STANDARD)  
 1=BLACK, SELECTIVE GOLD  
 G=GREEN, TIN  
 1G=GREEN, SEL. GOLD

**MOUNTING EARS**  
 0E=BLACK, TIN  
 1E=BLACK, SEL. GOLD  
 GE=GREEN, TIN  
 EG=GREEN, SEL. GOLD

CONSULT PCD FOR P  
 AVAILABILITY OF FO  
 \* CUSTOM COLORS  
 \* CUSTOM MARKING  
 \* CUSTOM KEYING  
 \* SELECTIVE CONTACT LO

  
**RATINGS**  
 CURRENT - 15A  
 VOLTAGE - 300V  
 U.L. FILE NO. E83421

  
**RATINGS**  
 CURRENT - 15A  
 VOLTAGE - 300V  
 CSA FILE NO. LR69703

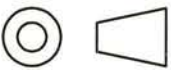
DIN VDE 0627:1986  
 DIN VDE 0110-1:1989  
 EN 60947-1:1991  
 EN 60947-7-1:1992

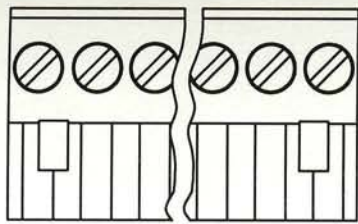
CURRENT - 15A  
 VOLTAGE - 300 V  
 TUV FILE NO. 20396

**INSTALLATION RECOMMENDATIONS:**  
 WIRE RANGE: AWG #14-26, STRANDED  
 OR SOLID; AWG #12 STRANDED  
 WIRE STRIP LENGTH: .310"  
 TIGHTENING TORQUE: 7 LB-IN.

**MATERIALS:**  
 HOUSING:  
 CONTACT:  
 SCREW: S  
 WIRE CLA

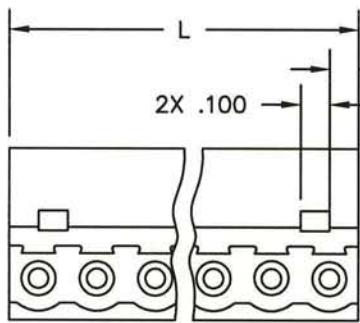
**OPERATING TEMPERATURE:**  
 -40°C-95°C

<b>DIMENSIONS</b> ANSI Y14.5M UNITS: INCHES ACAD FILE	<b>TOLERANCES</b> .XX ±.01 .XXX ±.005 ANGLES ±2°	<b>PROJECTION</b> 	<h3>Amphenol Pcd</h3> SPECIFICATION DRAWING <hr/> ENGR J. WILKINSON 11/8/98 <hr/> CHKD A. PATRIE 12/4/98 <hr/> APPD J. CAHALY 12/11/98	<b>TITLE</b> ELFP PLUGGAE BLOCK, <hr/> SIZE    DWG NO. A            ELFP
ORIGINAL STAMPED IN RED	THIS DOCUMENT CONTAINS PROPRIETARY INFORMATION WHICH IS THE CONFIDENTIAL PROPERTY OF AMPHENOL PCD INC. PEABODY, MA		CODE: 58982	SC

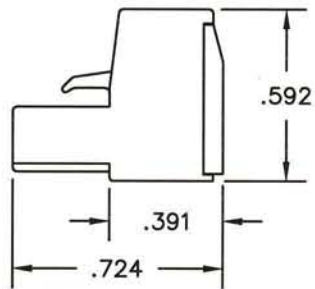


WITHOUT MOUNTING EARS

L=NUM OF POS X CL SPACING

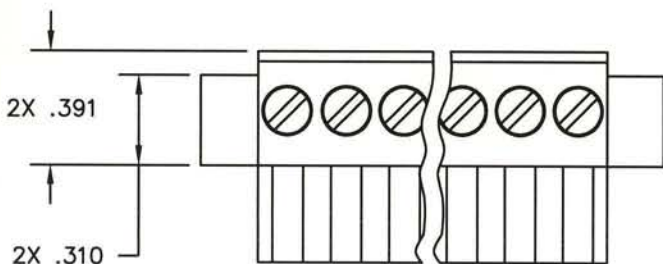


2X .097 (.197 CL)  
.100 (.200 CL)

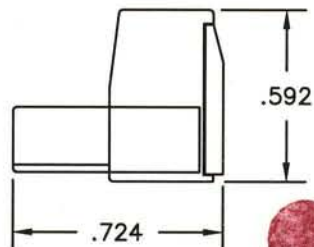
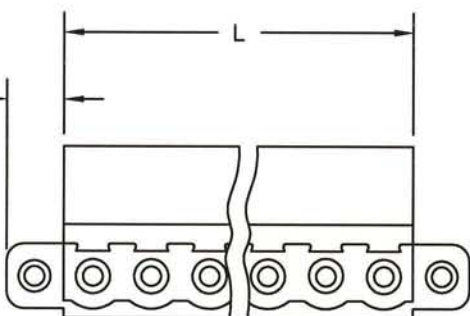


WITH MOUNTING EARS

L=NUM OF POS X CL SPACING



2X .196



SIZE	DWG NO.
A	ELFP
CODE: 58982	SC