

# SACC-MS-17PCON SCO - Connector



1559602

<https://www.phoenixcontact.com/us/products/1559602>

Please be informed that the data shown in this PDF document is generated from our online catalog. Please find the complete data in the user documentation. Our general terms of use for downloads are valid.



Connector, Universal, 17-position, Plug straight M12 SPEEDCON, coding: A, Piercecon® fast connection, knurl material: Zinc die-cast, nickel-plated, external cable diameter 5.4 mm ... 8.2 mm

## Your advantages

- Safe use in the field, thanks to a high degree of protection
- Save time, thanks to installation with SPEEDCON fast locking system
- Piercecon® connection: maximum contact density in a connector that can be assembled
- Save space – with high-pos. connectors

## Commercial data

Item number	1559602
Packing unit	1 pc
Minimum order quantity	1 pc
Sales key	BF32
Product key	BF2CGA
Catalog page	Page 26 (C-2-2019)
GTIN	4046356314831
Weight per piece (including packing)	36.6 g
Weight per piece (excluding packing)	33.8 g
Customs tariff number	85366990
Country of origin	DE

# SACC-MS-17PCON SCO - Connector

1559602

<https://www.phoenixcontact.com/us/products/1559602>

## Technical data

### Notes

Assembly note	<b>NOTE:</b> Observe the permissible bending radii when routing cables, since the degree of protection may be at risk if the bending forces are too high. Reduce mechanical loads upstream of the connector, e.g., by using cable ties.
---------------	---

### Product properties

Product type	Circular connector (cable-side)
Sensor type	Universal
Number of positions	17
No. of cable outlets	1
Shielded	no
Coding	A
Cable outlet	straight

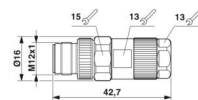
### Data management status

Article revision	01
------------------	----

### Insulation characteristics

Overvoltage category	II
Degree of pollution	3

### Dimensions

Dimensional drawing	
Length	42.7 mm
Wrench size, union nut	13 mm
Wrench size, counter nut	15 mm

### External dimensions

Outside diameter	5.4 mm ... 8.2 mm
------------------	-------------------

### Housing

Diameter housing	16 mm
------------------	-------

### Material specifications

Flammability rating according to UL 94	V0
Seal material	FKM
Material of grip body	Zinc die-cast, nickel-plated

# SACC-MS-17PCON SCO - Connector



1559602

<https://www.phoenixcontact.com/us/products/1559602>

Contact material	CuZn
Contact surface material	Ni/Au
Contact carrier material	PA
Material for screw connection	Zinc die-cast, nickel-plated
Wire insulation material	PUR / PVC

## Connection data

### Conductor connection

Connection method	Piercecon® fast connection
Connection cross section	0.14 mm <sup>2</sup> ... 0.14 mm <sup>2</sup> (without ferrule)
Connection cross section AWG	26 ... 26 (without ferrule)
Tightening torque	0.4 Nm (M12 knurl)

### Pin assignment

Contact   Color (signal designation)   Contact (optional)	1 = BN
	2 = BU
	3 = WH
	4 = GN
	5 = PK
	6 = YE
	7 = BK
	8 = GY
	9 = RD
	10 = VT
	11 = GYPK
	12 = RDBU
	13 = WHGN
	14 = BNGN
	15 = WHYE
	16 = YEBN
	17 = WHGY

## Electrical properties

Rated surge voltage	0.8 kV
Contact resistance	≤ 5 mΩ
Insulation resistance	≥ 100 MΩ
Nominal voltage U <sub>N</sub>	30 V AC 30 V DC
Nominal current I <sub>N</sub>	1.5 A

## Mechanical properties

### Mechanical data

Insertion/withdrawal cycles	≥ 100
-----------------------------	-------

# SACC-MS-17PCON SCO - Connector



1559602

<https://www.phoenixcontact.com/us/products/1559602>

## Connector

### Connection 1

Head design	Plug
Head cable outlet	straight
Head thread type	M12
Head locking type	SPEEDCON
Coding	A

## Cable/line

Signal type/category	Universal
----------------------	-----------

## Environmental and real-life conditions

### Ambient conditions

Degree of protection	IP67
Ambient temperature (operation)	-25 °C ... 85 °C (Plug / socket)

## Standards and regulations

### M12

Standard designation	M12 connector
Standards/specifications	IEC 61076-2-101

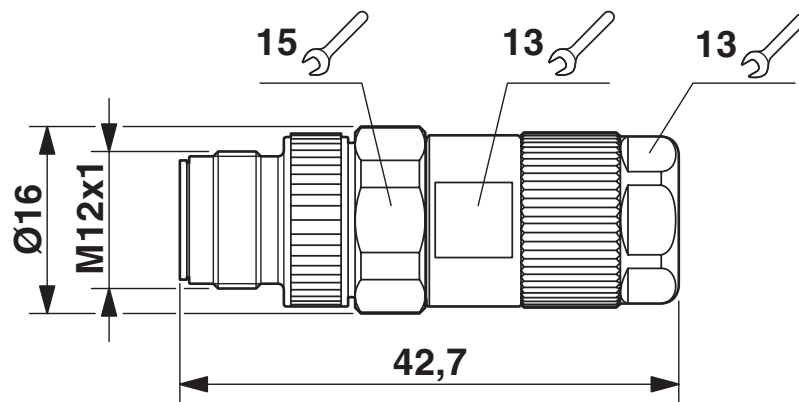
# SACC-MS-17PCON SCO - Connector

1559602

<https://www.phoenixcontact.com/us/products/1559602>

## Drawings

### Dimensional drawing



Plug, M12 x 1, straight

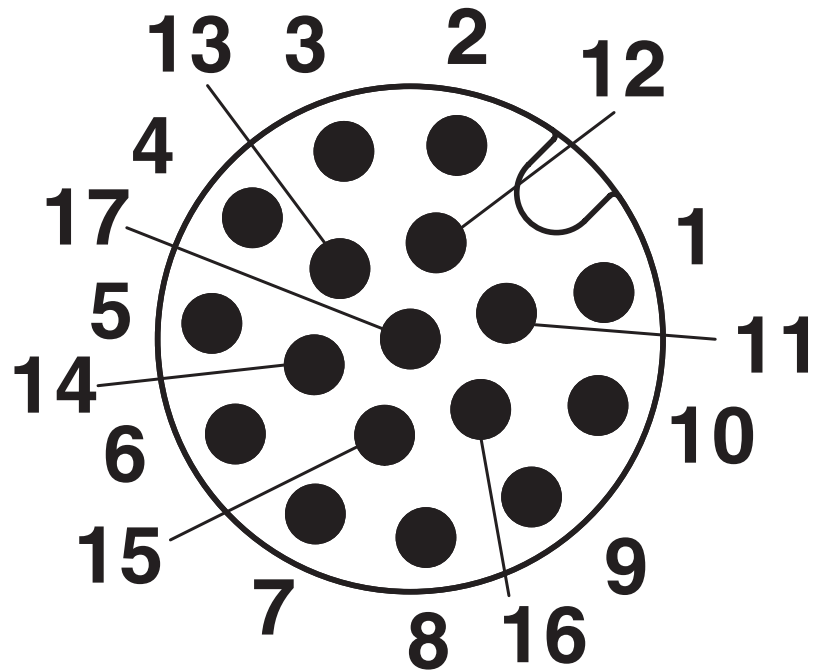
# SACC-MS-17PCON SCO - Connector



1559602

<https://www.phoenixcontact.com/us/products/1559602>

Schematic diagram



Pin assignment M12 male connector, 17-pos., male side view

# SACC-MS-17PCON SCO - Connector



1559602

<https://www.phoenixcontact.com/us/products/1559602>

## Approvals

🔗 To download certificates, visit the product detail page: <https://www.phoenixcontact.com/us/products/1559602>



**EAC**

Approval ID: EAC-Zulassung



**EAC**

Approval ID: RU C-DE.BL08.B.00511

# SACC-MS-17PCON SCO - Connector



1559602

<https://www.phoenixcontact.com/us/products/1559602>

## Classifications

### ECLASS

ECLASS-11.0	27440102
ECLASS-12.0	27440116
ECLASS-13.0	27440116

### ETIM

ETIM 9.0	EC002635
----------	----------

### UNSPSC

UNSPSC 21.0	39121400
-------------	----------



# SACC-MS-17PCON SCO - Connector



1559602

<https://www.phoenixcontact.com/us/products/1559602>

## Environmental product compliance

### EU RoHS

Fulfills EU RoHS substance requirements	Yes, No exemptions
---	--------------------

### China RoHS

Environment friendly use period (EFUP)	EFUP-E
	No hazardous substances above the limits

### EU REACH SVHC

REACH candidate substance (CAS No.)	No substance above 0.1 wt%
-------------------------------------	----------------------------

Phoenix Contact 2024 © - all rights reserved  
<https://www.phoenixcontact.com>

Phoenix Contact USA  
586 Fulling Mill Road  
Middletown, PA 17057, United States  
(+717) 944-1300  
[info@phoenixcon.com](mailto:info@phoenixcon.com)