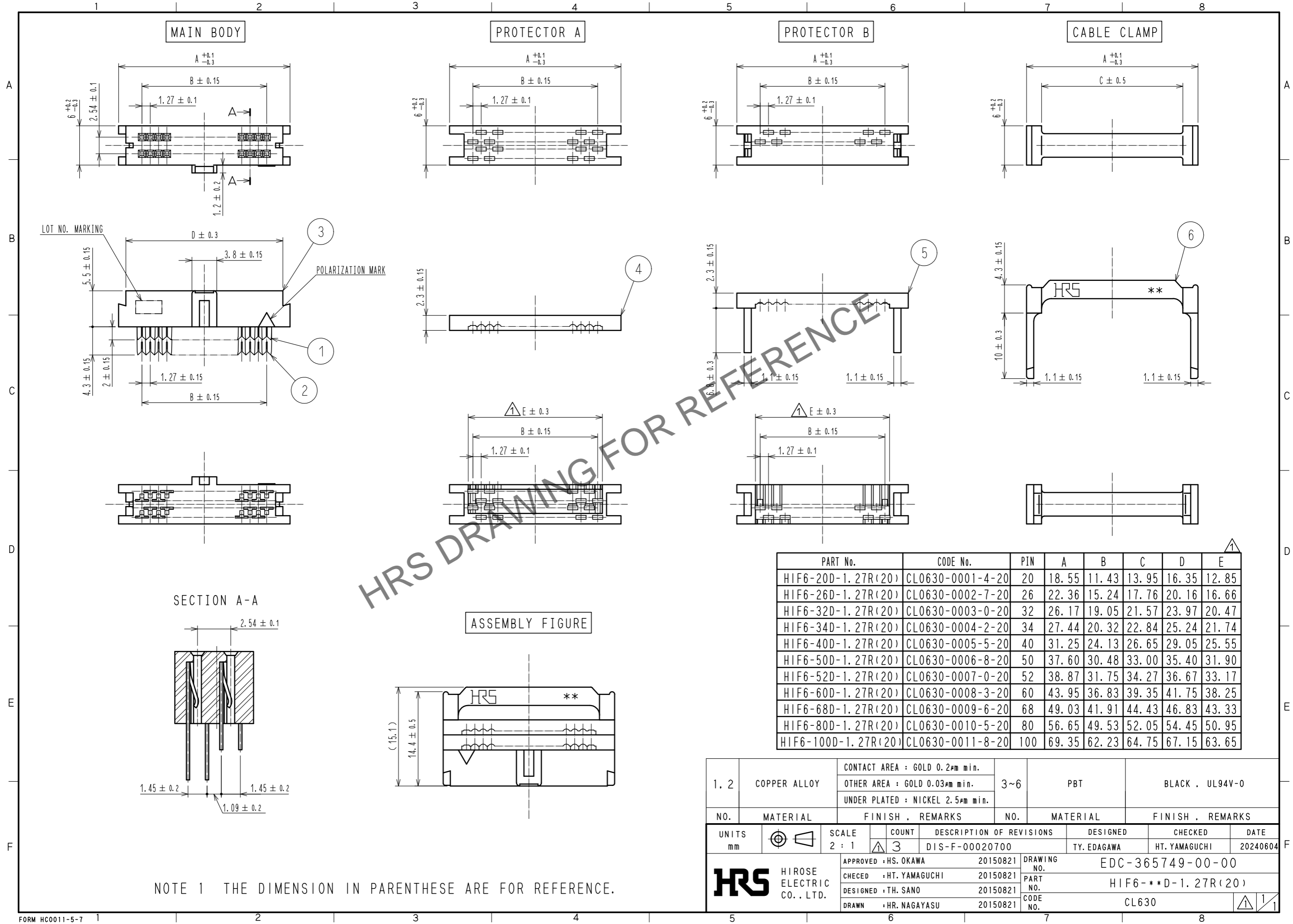
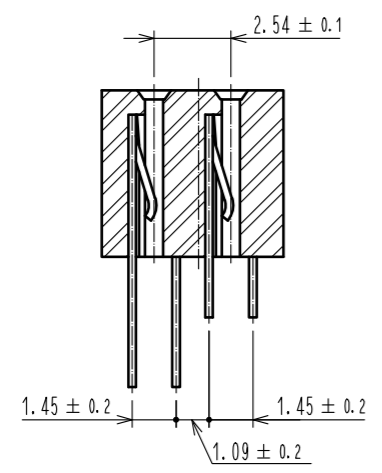


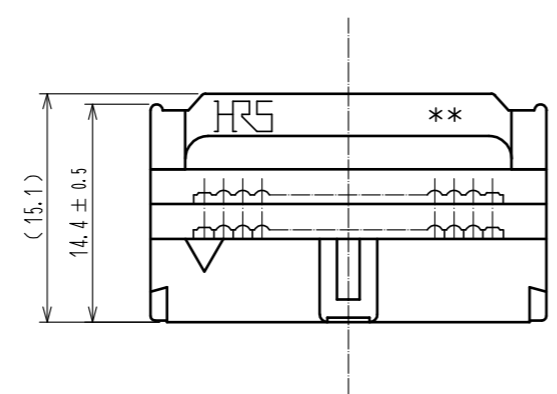
Jun.1.2024 Copyright 2024 HIROSE ELECTRIC CO., LTD. All Rights Reserved.
In case of consideration for using Automotive equipment / device which demand high reliability, kindly contact our sales window correspondents.



SECTION A-A



ASSEMBLY FIGURE



PART No.	CODE No.	PIN	A	B	C	D	E
HIF6-20D-1.27R(20)	CL0630-0001-4-20	20	18.55	11.43	13.95	16.35	12.85
HIF6-26D-1.27R(20)	CL0630-0002-7-20	26	22.36	15.24	17.76	20.16	16.66
HIF6-32D-1.27R(20)	CL0630-0003-0-20	32	26.17	19.05	21.57	23.97	20.47
HIF6-34D-1.27R(20)	CL0630-0004-2-20	34	27.44	20.32	22.84	25.24	21.74
HIF6-40D-1.27R(20)	CL0630-0005-5-20	40	31.25	24.13	26.65	29.05	25.55
HIF6-50D-1.27R(20)	CL0630-0006-8-20	50	37.60	30.48	33.00	35.40	31.90
HIF6-52D-1.27R(20)	CL0630-0007-0-20	52	38.87	31.75	34.27	36.67	33.17
HIF6-60D-1.27R(20)	CL0630-0008-3-20	60	43.95	36.83	39.35	41.75	38.25
HIF6-68D-1.27R(20)	CL0630-0009-6-20	68	49.03	41.91	44.43	46.83	43.33
HIF6-80D-1.27R(20)	CL0630-0010-5-20	80	56.65	49.53	52.05	54.45	50.95
HIF6-100D-1.27R(20)	CL0630-0011-8-20	100	69.35	62.23	64.75	67.15	63.65

1, 2	COPPER ALLOY	CONTACT AREA : GOLD 0.2µm min. OTHER AREA : GOLD 0.03µm min. UNDER PLATED : NICKEL 2.5µm min.	3~6	PBT	BLACK . UL94V-0		
NO.	MATERIAL	FINISH . REMARKS	NO.	MATERIAL	FINISH . REMARKS		
UNITS mm		SCALE 2 : 1	COUNT 3	DESCRIPTION OF REVISIONS DIS-F-00020700	DESIGNED TY. EDAGAWA	CHECKED HT. YAMAGUCHI	DATE 20240604
HRS HIROSE ELECTRIC CO., LTD.		APPROVED : HS. OKAWA 20150821	DRAWING NO. EDC-365749-00-00		PART NO. HIF6-**-D-1.27R(20)		CL630
		CHECED : HT. YAMAGUCHI 20150821	CODE NO.				
		DESIGNED : TH. SANO 20150821					
		DRAWN : HR. NAGAYASU 20150821					

NOTE 1 THE DIMENSION IN PARENTHESE ARE FOR REFERENCE.