

## Lens Evetar M13B03618 F1.8 f3.6mm 1/3"



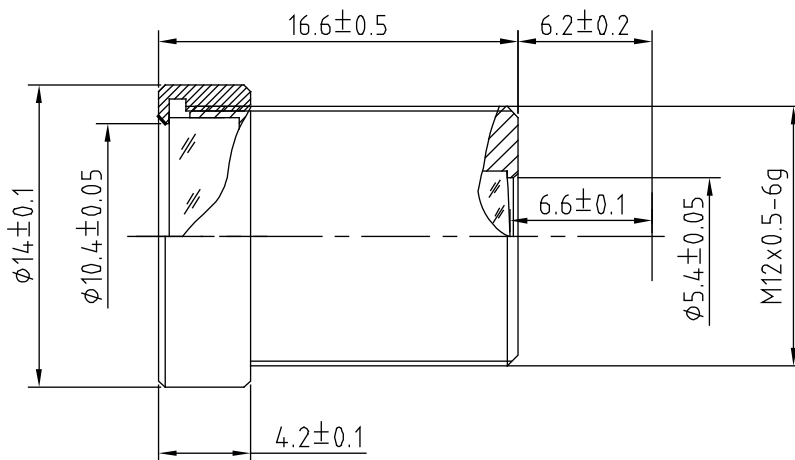
### Order Numbers

- 2000035614** (without IR cut filter)
- 2000035615** (with IR cut filter)

### Key Features

- S-mount lens with optimum price/performance ratio
- 1/3" lens with fixed focal length of 3.6 mm and fixed iris of f/1.8
- Available with IR cut filter (for color cameras) or without IR cut filter (for mono cameras)

Technical Specifications	
Image Circle	1/3"
Focal Length	3.6 mm
Aperture	f/1.8
Iris Type	fixed
MOD	200 mm
Resolution	150 lp/mm
Angle of View (D / H / V)	100.2° / 77° / 54°
Back Focal Length	6.59 mm
Mount	M12x0.5-6g



(Dimensions in mm)