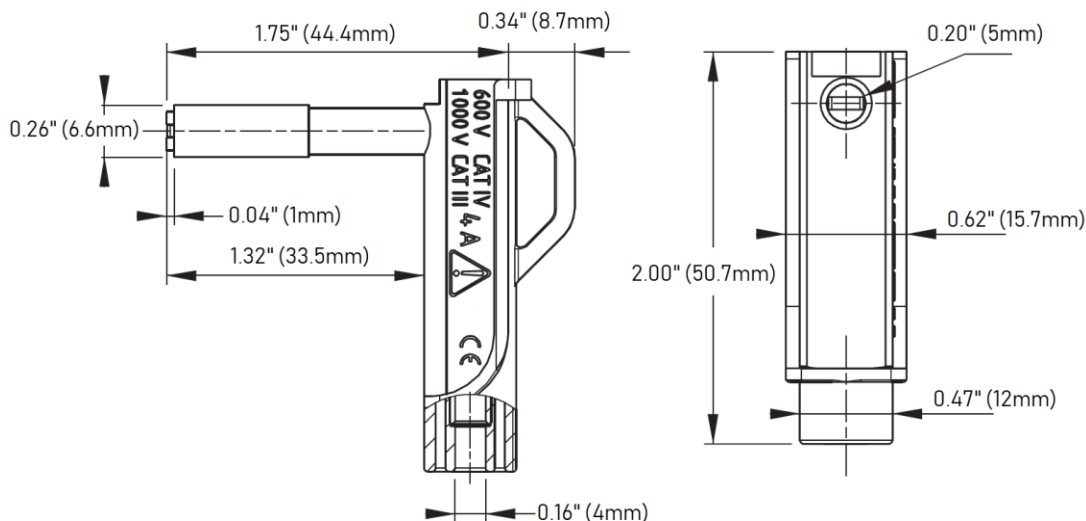


Model 73106
Right-Angle Magnetic Probe with 4mm Safety Jack



Features

- Ideal for temporary connections to terminal blocks with metal screws
- Quick connect and disconnect with magnetic probe head
- Insulated 4mm safety banana jack for attachment to sheathed test leads
- Magnetic probe head diameter of 6.6mm (0.260")
- Compatible with popular Pomona test lead models 5907A, 5908A, and 5909A test lead sets

Materials

Conductor: Nickel-plated Brass and Magnetic Material
Insulation: Polypropylene

Ratings

Voltage: CAT II 1000V / CAT III 1000V / CAT IV 600V
Current: 4 amperes
Operating Temperature: +5°C to +40°C (+41°F to 104°F)

Ordering Information

Model: 73106-*color*
Color: 0=Black, 2=Red, 6=Blue
Right-Angle Magnetic Probe with 4mm Safety Jack



USA: Sales: 800-490-2361
Technical Support: technicalsupport@pomonatest.com
Fax: 425-446-5844
Europe: 31-(0) 40 2675 150 **International:** 425-446-5500
Where to Buy: www.pomonaelectronics.com

All dimensions are in inches. Tolerances (except noted): .xx = ±.02" (.51 mm), .xxx = ±.005" (.127 mm). All specifications are to the latest revisions. Specifications are subject to change without notice. Registered trademarks are the property of their respective companies.