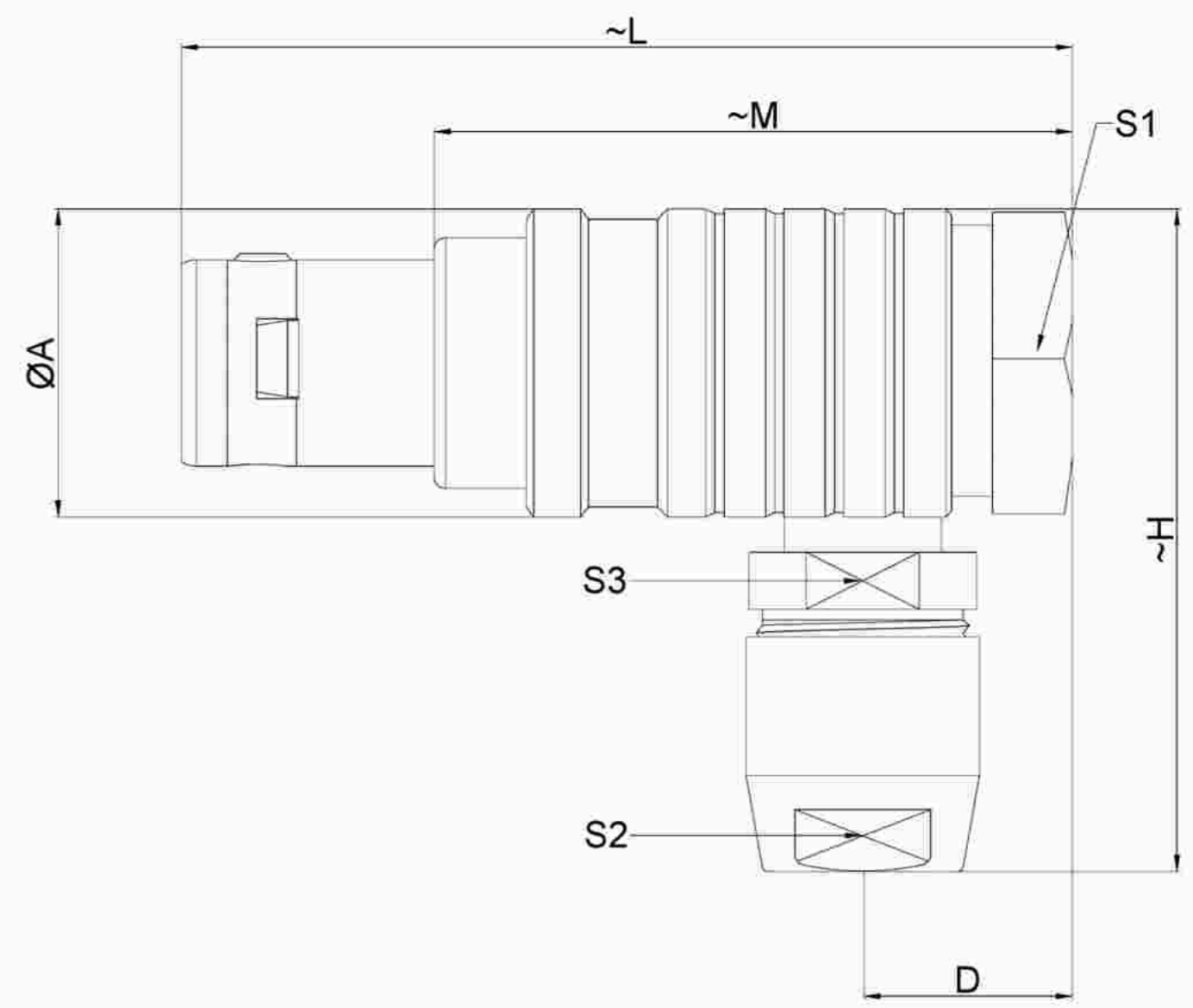


1.View and size(视图及尺寸)

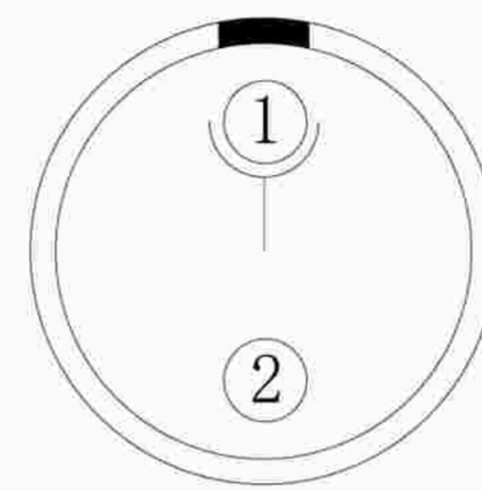
Main technical indicators(主要技术指标)	
1.Mating (插拔次数)	5000
2.Working Temperature (温度)	-55~+150 °C
3.IP Rating (防护级别)	IP 50
4.Diameter of socket end(插合端直径)	φ1.3
5.Testing Voltage (测试电压)	1500V
6.Working Voltage (工作电压)	1350V
7.Rated Current (额定电流)	15A
8.Shell material(壳体材质)	Brass (chromium plating) shell and chuck nut/(nickel plating) pin sleeve and middleware/黄铜(镀铬)外壳和夹头螺母/(镀镍)插销套和中间件
9.Pin Material(插针材料)	Copper alloy gold plating(铜合金镀金)
10.Insulator material(绝缘体材质)	L:PPS P:PEEK

Sum up(总结)	
Series(系列)	B
Shell style/model (外壳样式/型号)	THG: Elbow plug, cable collet/电缆夹头弯头
Button (按键)	A button(一个按键)
Termination type (终止类型)	Male solder(公焊锡)
Line diameter awg(线材直径)	28-20AWG
Cable diameterφ (电缆直径)	φ5.3-6.2MM
Matching parts(配件)	ZGG.1B.P02.CXL

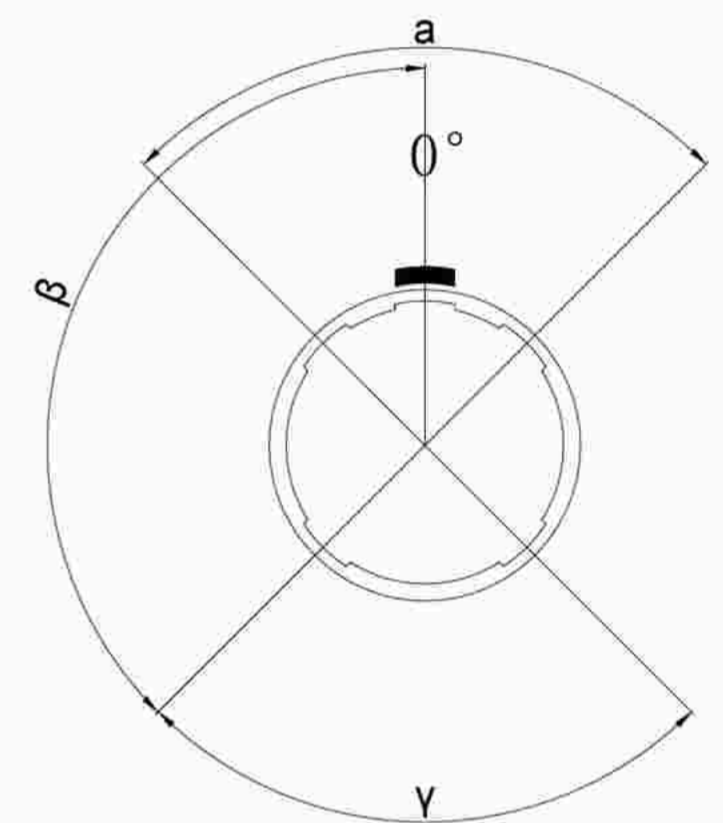
Location pin combination(定位销组合)					
(编号) Number	Number of positioning pins(定位销数量)	Angle(角度)	Series(系列)--1B		
G	One(1)		(Zero degrees)0°		
A	Two(2)	A	Thirty degrees(30°)		
B	Two(2)		Sixty degrees(60°)		
C	Two(2)		Ninety degrees(90°)		
D	Two(2)	β	135 degrees(135°)		
E	Two(2)		145 degrees(145°)		
F	Two(2)		155 degrees(155°)		
J	Two(2)	Y	Forty-five degrees(45°)		
K	Two(2)		Seventy degrees(70°)		
L	Two(2)		80 degrees(80°)		
	A	B	C√	ANGLE	
5-10	±0.02	±0.05	±0.1	0°-30°	±0.1°
50-100	±0.1	±0.15	±0.2	61°-90°	±0.5°
50-100	±0.15	±0.2	±0.25		
100-	±0.15%	±0.20%	±0.25%		



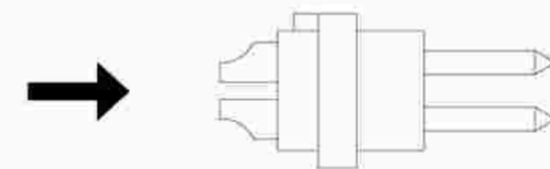
	A	D	H	L	M	S1	S2	S3
MM	13.5	8	30.5	36.0	25	11	9	10
in	0.5315	0.315	1.2008	1.4173	0.9843	0.4331	0.3543	0.3937



Welded surface (焊接面)



Positive view (正视图)



Solder core (焊接型公胶芯)

TH G. 1B. P02.C X A D 62

- Model(型号)
- Positioning pin(定位销)
- Series(系列)
- Needle core configuration(针芯配置)
- Outer casing(外壳)
- Insulator(绝缘体)
- Needle core(针芯)
- Type of CXamp(线夹类型)
- Cable diameter(电缆直径)

DESIGNED(设计)
 广东星坤科技股份有限公司
 CHECKED(校对)
 APPROVED(审核)
 日期
 REVISIONS
 文件工程章
 www.helloxkb.com www.helloxkb.cn

DATE(日期)	SCALE(比额)	N/A(不适用)	MODEL TYPE
DATE(日期)	VIEW(视图)		型号类型: THG.1B.P02.CXAD62
DATE(日期)	UNIT(单位)	MM	PART NO. 1B2-core plug
MATERIAL (材料)			名称: 1B2芯插头
			DWG NO.:
			WEIGHT(重量)
			SHEET(表)
			REVISION(修订)