

THE FL.SERIES RANGE, THE FIRST 12MM / 13MM PUSH BUTTON IN THE WORLD WITH A FULLY ILLUMINATED LENS.

Available in 12 mm and 13.5 mm standard mounting hole sizes, a unique high brightness full face illuminated switch and a non-illuminated version as a plug-in replacement for competitor products.

Designed and manufactured in France with IP67 sealing and rugged PA6.6 polyamide construction the FL.series has superb tactile feedback and vibrant single or bi-colour multi-LED illumination.

MECHANICAL

Total travel	2 mm ±0.3mm
Operating force	5 N ±30%
Panel thickness	1 - 6 mm (max)
Terminal type	Plug-in terminal 2.8 x 0.5 mm
Switching action	Momentary
Torque	0.3 Nm
Mechanical Life <small>(CEI 60542-5 9b)</small>	1,000,000 cycles (max)

ELECTRICAL

Dielectric strength	2500 VAC
Insulation resistance <small>(CEI 60512-2 3a)</small>	1GΩ
Contact resistance <small>(CEI 60512-2 2a)</small>	< 50mΩ (max)
Travel contact	1.2 mm ±0.3mm
Electrical Life <small>(CEI 60542-5 9a)</small>	500,000 cycles
Current rating (typical) <small>(CEI 60542-5 10a)</small>	400mA at 32 VAC resistive 100mA at 50 VDC resistive 125mA at 125 VAC resistive
Weld at the soldering iron:	300°C max. for 3 seconds

LIGHTING

Voltage	5V
<i>It is possible to lower the voltage until 2.7V «min» to lower the luminous intensity.</i>	
Current LED	65 mA (max)

ENVIRONMENTAL

IK impact resistance. <small>(EN 50102)</small>	IK6 (front face)
Ingress protection <small>(DIN EN IEC60529)</small>	IP67 (front face)
Operating temperature <small>(CEI 60512-6)</small>	-40°C to +85°C
Storage temperature <small>(CEI 60512-6)</small>	-40°C to +105°C
Saline mist	48 hours
Cyclic temperature / humidity test «ZIAD» <small>(CEI 6068-2-38)</small>	240 hours (cycles of -10°C in 65°C / 93% humidity)



PART NUMBERS

NON-ILLUMINATED

Ø13.5	Ø12	Cap
FL13NN	FL12NN	Black
FL13NB	FL12NB	Blue
FL13NG	FL12NG	Green
FL13NO	FL12NO	Orange
FL13NR	FL12NR	Red
FL13NW	FL12NW	White
FL13NY	FL12NY	Yellow

ILLUMINATED

Ø13.5	Ø12	Cap
FL13LB5	FL12LB5	Blue
FL13LG5	FL12LG5	Green
FL13LO5	FL12LO5	Orange
FL13LR5	FL12LR5	Red
FL13LW5	FL12LW5	White
FL13LY5	FL12LY5	Yellow

DUAL-COLOR ILLUMINATED

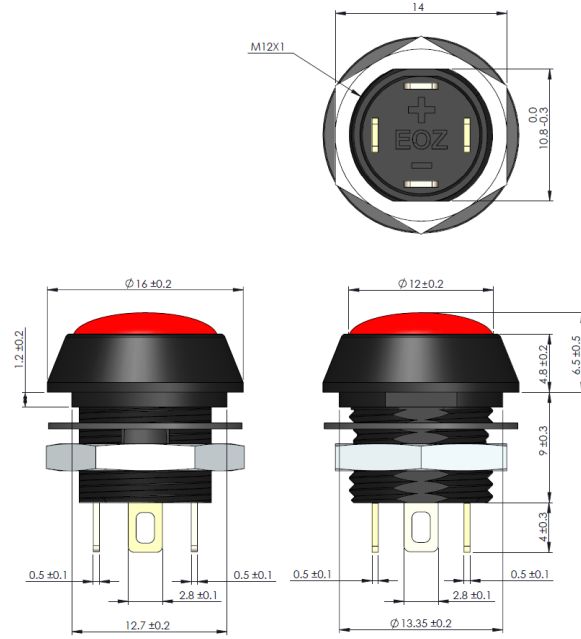
Ø13.5	Ø12	Cap	Illumination color
FL13DGB5	FL12DGB5	Milky white	Blue or Green*
FL13DRB5	FL12DRB5	Milky white	Blue or Red*
FL13DRG5	FL12DRG5	Milky white	Green or Red*

*INVERTED POLARITY

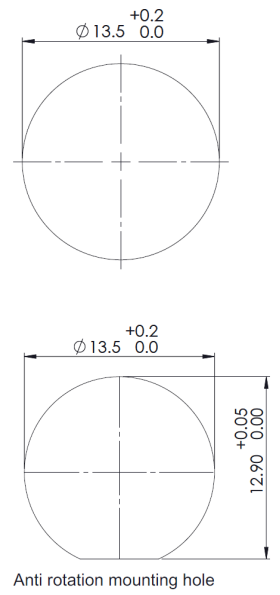
MATERIALS

Body	PA 6.6
Button	PC
Contacts	Gold plated nickel
Contacts terminals	Gold plated nickel
LED terminals	Silver plated nickel

Ø13.5mm PRODUCT DRAWINGS

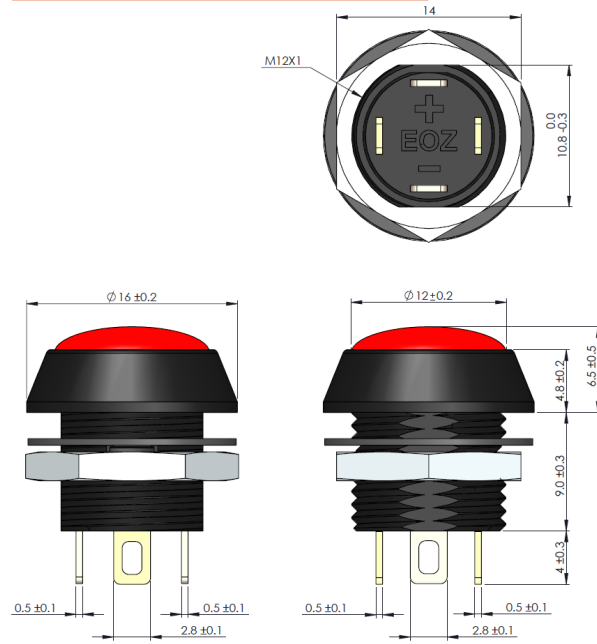


PANEL CUT OUT

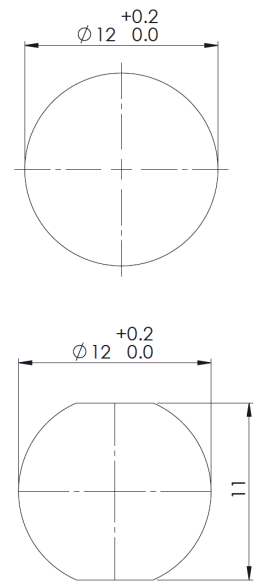


Anti rotation mounting hole

Ø12mm PRODUCT DRAWINGS

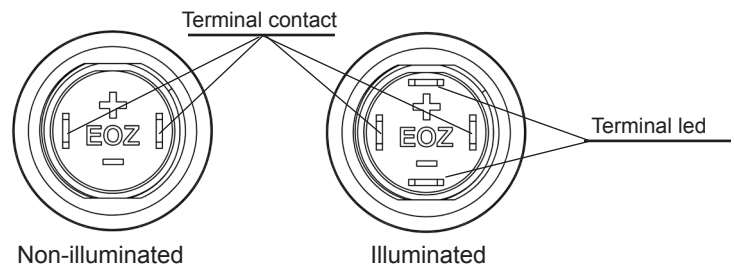


PANEL CUT OUT



Anti rotation mounting hole

Terminal version:



DIAGRAM

