


LIMIT & SAFETY SWITCHES

30mm Wide Pre-wired Limit Switches

- 30mm width
- Pre wired. 1M cable standard
- For 2M cable add suffix /2
- Metal casing
- IP67
- Snap action contacts
-  us, approved

CE 70



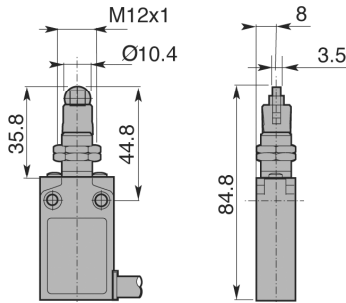
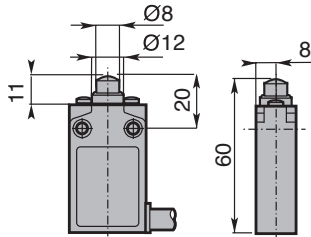
SPECIFICATION

Rating	400V
Cable	PVC 1m 4x0.75mm ²
Impulse withstand voltage	4kV
Working temperature	-25°C to +70°C
Switching frequency	3600 cycles/h
Load factor	0.5
Short circuit protection	6A gG fuse

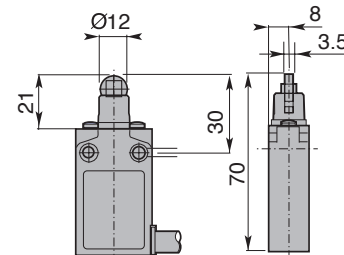
TYPE NO.	PLUNGER TYPE	MAX ACTUATION SPEED	ACTUATION/NC OPERATION
CE70.0.AM	Plain Plunger	0.5ms ⁻¹	15N/30N
CE70.0.BLM	Roller Plunger With Fixing Nut	0.1ms ⁻¹	10N/30N
CE70.0.BM	Roller Plunger	0.1ms ⁻¹	10N/30N
CE70.0.EM	Roller Lever	1.5ms ⁻¹	0.08Nm/0.28Nm
CE70.0.FM	Adjustable Nylon Roller Lever	1.5ms ⁻¹	0.08Nm/0.28Nm
CE70.0.GM	Adjustable Rod Lever	1.5ms ⁻¹	0.08Nm/0.28Nm
CE70.0.HM	Adjustable Rod Lever	1.5ms ⁻¹	0.08Nm/0.28Nm

Roller Plunger With Fixing Nut

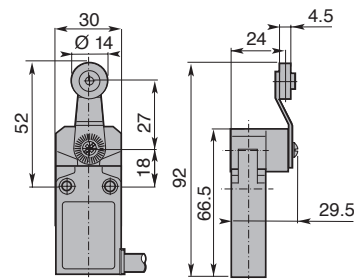
Plain Plunger



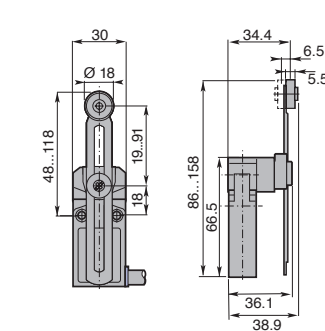
Roller Plunger



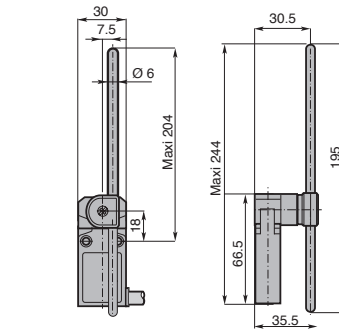
Roller Lever



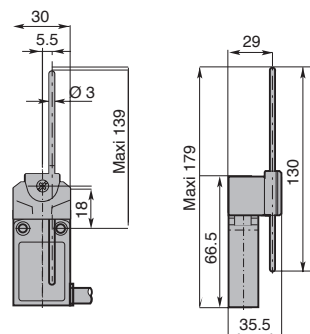
Adjustable Nylon Roller Lever



Adjustable Rod Lever



Adjustable Rod Lever



PCB
TERMINAL
BLOCKS

INTER-
CONNECTION

FUSES &
FUSE-
HOLDERS

LEDs &
INDICATORS

MINIATURE
SWITCHES

LIMIT &
SAFETY
SWITCHES

CONTROL
PRODUCTS

INTERFACE
MODULES &
SUPPORTS

RELAY
BASES

ENCLOSURES

BATTERIES

TRANS-
FORMERS