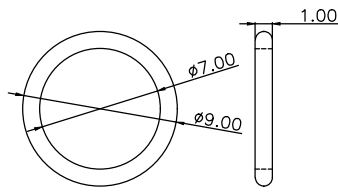


| | | | | | | |
|-----|--|--------|---------------|--------|----------|------------|
| REV | | ECN NO | DESCRIPTION | DESIGN | APPROVAL | DATE |
| A1 | | NEW | Replace frame | | | 2018.06.12 |

ROHS



NOTES

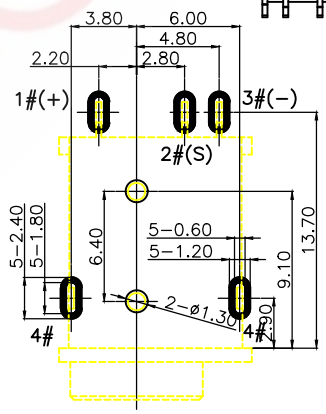
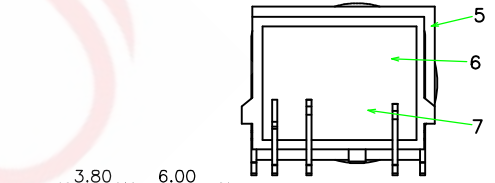
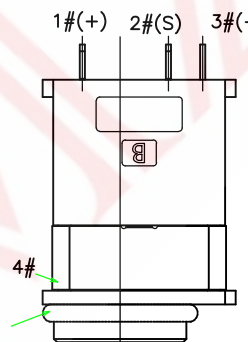
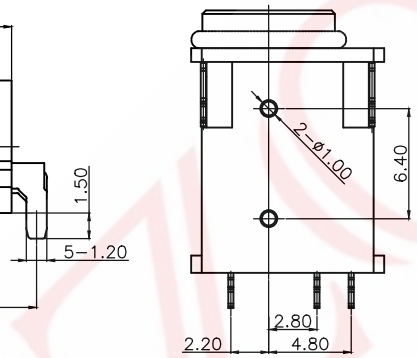
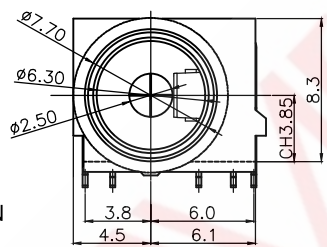
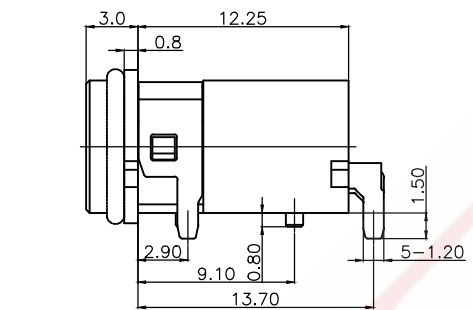
- 1.CURRENT RATING: 24V & 5A MAX.
- 2.CONTACT RESISTANCE: 50mΩ MAX.
- 3.INSULATION RESISTANCE: 100MΩ MIN.
- 4.DIELECTRIC WITHSTANDING: 500V AC MIN.
- 5.DURABILITY: 5000 CYCLES MIN.
- 6.CONNECTOR MATING FORCES: 3~35N.
- 7.CONNECTOR UNMATING FORCES: 3~35N.
- 8.OPERATING TEMPERATURE: -25°C TO +85°C.
- 9.WATER PROOFNESS: THIS PRODUCT IS BASED ON IPX7.

WHITE WATERPROOF RING

Not to install the waterproof ring shipment

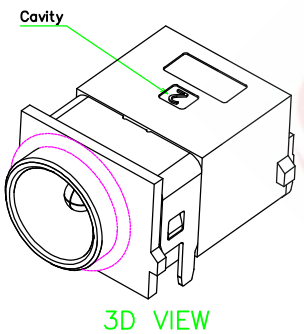
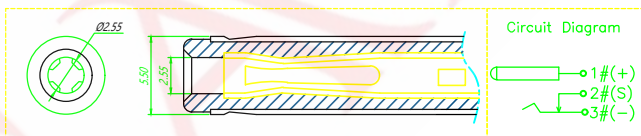
9FW5152AGTA

MODEL DEFINITION
 Mould Number:01
 Needle diameter:2.5
 Fixing Method:Fixing Column
 Interface Method:Convention Extended Opening
 Overall Length:15.25mm
 Pin Position:5PIN
 Mounting Method:DIP
 Product Series: DC Jack IPX7



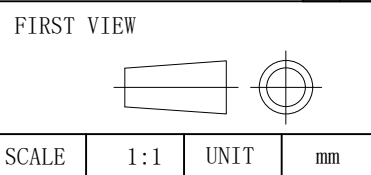
PCB LAYOUT (TOP VIEW)
TOLERANCE: ±0.05

| NO. | DESCRIPTION | MATERIAL | REMARKS | QTY |
|-----|-----------------|------------------|------------------------------------------------------------|-----|
| 8 | WATERPROOF RING | SILICONE | WHITE | 1 |
| 7 | GLUE | EPOXY | COLOR BLACK | 1 |
| 6 | BACK COVER | HIGH TEMPERATURE | COLOR BLACK | 1 |
| 5 | HOUSING | HIGH TEMPERATURE | COLOR BLACK | 1 |
| 4 | TERMINAL 4# | STAINLESS STEEL | NICKEL PLATING OVERALL | 1 |
| 3 | TERMINAL 3# | COPPER ALLOY | NICKEL UNDERPLATING OVERALL, Au PLATING ON THE SOLDER AREA | 1 |
| 2 | TERMINAL 2# | COPPER ALLOY | NICKEL UNDERPLATING OVERALL, Au PLATING ON THE WHOLE | 1 |
| 1 | CENTER PIN | COPPER ALLOY | NICKEL UNDERPLATING OVERALL, Au PLATING ON THE SOLDER AREA | 1 |



3D VIEW

| DESIGN | WANGGUIFA | 2018.06.12 | ≥2~5< | ±0.25 |
|----------|-------------|------------|-------|-------|
| CHECKED | ZHENGUILAN | 2018.06.12 | ≥0~2< | ±0.15 |
| APPROVED | LILIANJIANG | 2018.06.14 | ≥5 | ±0.35 |



The copyright belongs to samzo parts (China) Co., Ltd. please use the material after samzo parts agree to authorize. The final right of interpretation belongs to samzo parts. WWW.KKK-JP.COM

SAMZO COMPONENTS
Electronic switch and connector manufacturer

| |
|----------------------------|
| TITLE: DC JACK WC DIP 5PIN |
| DWG NO: 9FW5152-P0605 |
| PART NO: 9FW5152100605 |
| MODEL NO: 9FW5152AGTA |
| NAME: DC JACK |