

RQ73C1E22K1BTD

✓ ACTIVE

Holsworthy | Holsworthy RQ73

TE Internal #: 6-2176364-6

Precision Resistor, Thin Film, 0402, .0625 W, 22.1K ohm, .1 %, ±10 ppm/°C, Solder, 2 Termination, Height .3 mm [.012 in], Holsworthy RQ73

[View on TE.com >](#)



Passive Components > Resistors > Surface Mount Resistors



Resistor Type: **Precision Resistor**

Element Type: **Thin Film**

Package Size Code: **0402**

Power Rating: **.0625 W**

Resistance Value: **22.1K Ω**

Features

Product Type Features

Shelf Life	2 Years
Resistor Type	Precision Resistor
Element Type	Thin Film
Package Size Code	0402

Configuration Features

Number of Resistors	1
---------------------	---

Electrical Characteristics

Operating Voltage	50 V
Power Rating	.0625 W
Resistance Value	22.1K Ω
Resistance Class	1kΩ – 1MΩ
Passive Component Tolerance	.1 %

Termination Features

Surface Mount Resistor Termination Type	Solder
---	--------

Number of Terminations	2
------------------------	---

Dimensions

Product Height	.3 mm [.012 in]
----------------	-----------------

Product Length	1 mm [.039 in]
----------------	----------------

Product Width	.5 mm [.02 in]
---------------	----------------

Usage Conditions

Temperature Coefficient	±10 ppm/°C
-------------------------	------------

Industry Standards

Moisture Sensitivity Level	1
----------------------------	---

ESD HBM Classification	0
------------------------	---

Industry Standard	AEC-Q200 Compliant
-------------------	--------------------

Packaging Features

Packaging Method	Taped & Reeled
------------------	----------------

Other

Passive Component Comment	Shelf Life Based on Date of Manufacture
---------------------------	---

Product Compliance

[For compliance documentation, visit the product page on TE.com>](#)

EU RoHS Directive 2011/65/EU	Compliant
------------------------------	-----------

EU ELV Directive 2000/53/EC	Compliant
-----------------------------	-----------

China RoHS 2 Directive MIIT Order No 32, 2016	No Restricted Materials Above Threshold
---	---

EU REACH Regulation (EC) No. 1907/2006	Current ECHA Candidate List: JUNE 2024 (241) Candidate List Declared Against: JUNE 2024 (241) Does not contain REACH SVHC
--	---

Halogen Content	Low Halogen - Br, Cl, F, I < 900 ppm per homogenous material. Also BFR/CFR/PVC Free
-----------------	---

Solder Process Capability	Reflow solder capable to 260°C
---------------------------	--------------------------------

Product Compliance Disclaimer

This information is provided based on reasonable inquiry of our suppliers and represents our current actual knowledge based on the information they provided. This information is subject to change. The part numbers that TE has identified as EU RoHS compliant have a maximum concentration of 0.1% by weight in homogenous materials for lead, hexavalent chromium, mercury, PBB, PBDE, DBP, BBP, DEHP, DIBP, and 0.01% for cadmium, or qualify for an exemption to these limits as defined in the Annexes of Directive 2011/65/EU (RoHS2). Finished electrical and electronic equipment products

will be CE marked as required by Directive 2011/65/EU. Components may not be CE marked. Additionally, the part numbers that TE has identified as EU ELV compliant have a maximum concentration of 0.1% by weight in homogenous materials for lead, hexavalent chromium, and mercury, and 0.01% for cadmium, or qualify for an exemption to these limits as defined in the Annexes of Directive 2000/53/EC (ELV). Regarding the REACH Regulation, the information TE provides on SVHC in articles for this part number is based on the latest European Chemicals Agency (ECHA) 'Guidance on requirements for substances in articles' posted at this URL: <https://echa.europa.eu/guidance-documents/guidance-on-reach>

Compatible Parts



TE Part # 2176372-6
RQ 0603 56K2 0.1% 10PPM 5K RL



TE Part # 2176371-8
RQ 0603 5K49 0.1% 10PPM 5K RL



TE Part # 3-2176382-0
RQ 0805 267K 0.1% 10PPM 5K RL



TE Part # 3-2176389-4
RQ 1206 237R 0.1% 10PPM 5K RL




TE Part # 4-2176391-2
RQ 1206 33K2 0.1% 10PPM 5K RL



TE Part # 6-2176361-6
RQ 0402 22K1 0.1% 10PPM 1K RL

Also in the Series | Holsworthy RQ73



Surface Mount Resistors(3078)

Customers Also Bought



TE Part #NB-PTCO-165
Pt1000, 2.0x2.3, Class T, PTFC102T1A0



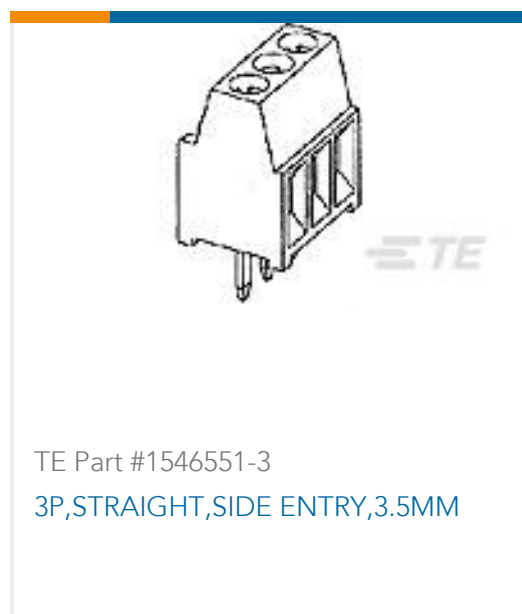
TE Part #2065769-1
Zd Plus 2 pair receptacle assy



TE Part #1-1879208-4
CPF 0402 36R 0.1% 25PPM 1K RL



TE Part #1-1879213-9
CPF 0402 40R2 0.1% 25PPM 1K RL



TE Part #1546551-3
3P, STRAIGHT, SIDE ENTRY, 3.5MM



TE Part #6648234-1
CONTACT, SKT, #0



TE Part #9-1879061-8
CPF0402 110K 0.1% 25PPM 5K RL



TE Part #9-1879131-3
RN 0402 12K1 0.1% 10PPM 5K RL



TE Part #9-2176363-2
RQ 0402 3K83 0.1% 10PPM 5K RL



TE Part #6-1879129-6
RN 0402 2K0 0.1% 10PPM 5K RL

Documents

Product Drawings

[RQ 0402 22K1 0.1% 10PPM 5K RL](#)

English

CAD Files

[3D PDF](#)

3D

Customer View Model

[ENG_CVM_CVM_6-2176364-6_B.2d_dxf.zip](#)

English

Customer View Model

[ENG_CVM_CVM_6-2176364-6_B.3d_igs.zip](#)

English

Customer View Model

[ENG_CVM_CVM_6-2176364-6_B.3d_stp.zip](#)

English

By downloading the CAD file I accept and agree to the [Terms and Conditions](#) of use.

Datasheets & Catalog Pages

[SMD Thin Film Precision Resistors - AEC-Q200 Compliant - Type RQ73 Series](#)

English