

## INDICATOR LIGHTS (Cont.)

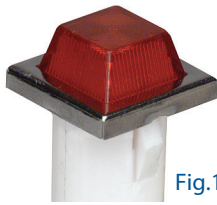


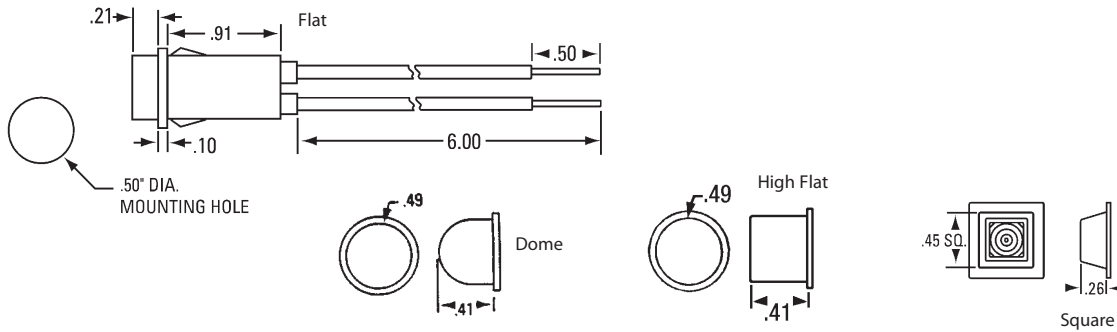
Fig.1



Fig.2



Fig.3



### 1/2" Press-to-Fit Indicator Lights 12.7mm

These are press-to-fit indicator lights for a .500" mounting hole, and are available in several colors and voltages. They are made from Nylon material and have 18 AWG 6" wire leads.

| Retail Part No. | Bulk Part No. | Figure No. | Lamp Voltage | Lamp Current | Lamp Type    | Lamp Termination | Lamp Life | Lamp Shape | Lamp Color |
|-----------------|---------------|------------|--------------|--------------|--------------|------------------|-----------|------------|------------|
| 38-5455-50      |               | 1          | 125V         |              | Neon         | Wire Leads       | 25,000    | Square     | Green      |
| 38-5462-06      | 38-5462-06BU  | 2          | 6.3V         | .04A         | Incandescent | Wire Leads       | 50,000    | High Flat  | Red        |
| 38-5462-50      |               | 2          | 125V         |              | Neon         | Wire Leads       | 25,000    | High Flat  | Red        |
| 38-5462-12      | 38-5462-12BU  | 2          | 12V/14V      | .08A         | Incandescent | Wire Leads       | 50,000    | High Flat  | Red        |
| 38-5463-06      |               | 2          | 6.3V         | .04A         | Incandescent | Wire Leads       | 50,000    | High Flat  | Amber      |
| 38-5463-12      |               | 2          | 12V/14V      | .08A         | Incandescent | Wire Leads       | 50,000    | High Flat  | Amber      |
| 38-5465-06      |               | 2          | 6.3V         | .04A         | Incandescent | Wire Leads       | 50,000    | High Flat  | Green      |
| 38-5465-12      |               | 2          | 12V/14V      | .08A         | Incandescent | Wire Leads       | 50,000    | High Flat  | Green      |
| 38-5469-12      |               | 2          | 12V/14V      | .08A         | Incandescent | Wire Leads       | 50,000    | High Flat  | White      |
| 38-5492-06      |               | 3          | 6.3V         | .04A         | Incandescent | Wire Leads       | 50,000    | Large Dome | Red        |
| 38-5492-50      | 38-5492-50BU  | 3          | 125V         |              | Neon         | Wire Leads       | 25,000    | Large Dome | Red        |
| 38-5492-12      |               | 3          | 12V/14V      | .08A         | Incandescent | Wire Leads       | 50,000    | Large Dome | Red        |
| 38-5493-12      |               | 3          | 12V/14V      | .08A         | Incandescent | Wire Leads       | 50,000    | Large Dome | Amber      |
| 38-5495-50      | 38-5495-50BU  | 3          | 125V         |              | Neon         | Wire Leads       | 25,000    | Large Dome | Green      |
| 38-5495-12      |               | 3          | 12V/14V      | .08A         | Incandescent | Wire Leads       | 50,000    | Large Dome | Green      |
| 38-5496-06      |               | 3          | 6.3V         | .04A         | Incandescent | Wire Leads       | 50,000    | Large Dome | Blue       |

LED = DC ONLY  
NEON = AC ONLY