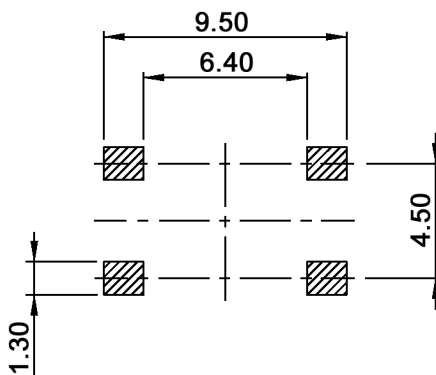
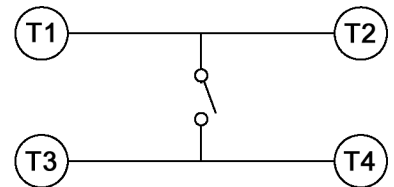


P.C.B. LAYOUT



CIRCUIT DIAGRAM



Tolerances: ±0.2mm max.			Date	Name
			01/10	dr
Modifications	Date	Name		

**TSS 61 x**

**30 19 95**

Page

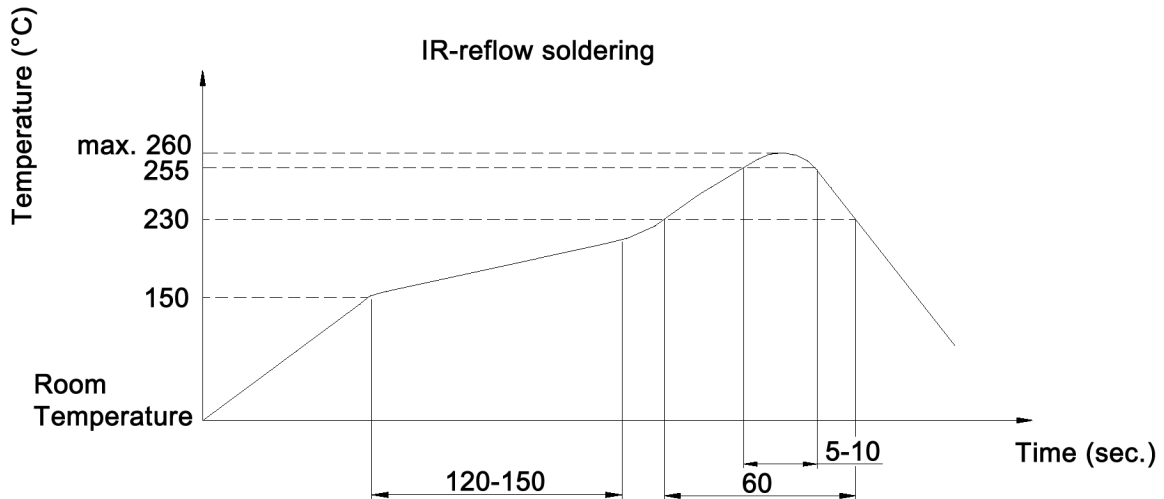
1/2

**knitter-switch**

**Specifications:**

Contact rating: 50mA, 12V DC  
 Contact resistance: 100mOhm max.  
 Insulation resistance: 100MOhm min. at 500V DC for 1 minute  
 Dielectric strength: 250V AC (50/60Hz) for 1 minute  
 Operating temperature: -40°C to +85°C  
 Storage temperature: -40°C to +85°C  
 Material: Cover: stainless steel  
 Stem / base: high-temp. thermoplastic nylon UL94V-0  
 Contact: phosphor bronze, silver plated  
 Terminal: brass, silver plated

**Soldering conditions:**



x	Knob colour	Operating force	Electrical life
K	black	100 +/-50gf	200 000 cycles
N	brown	160 +/-50gf	200 000 cycles
R	red	260 +/-50gf	100 000 cycles
S	salmon	320 +/-80gf	50 000 cycles
Y	yellow	520 +/-130gf	50 000 cycles



Tolerances: ±0.2mm max.			Date	Name	<b>TSS 61 x</b>
			01/10	dr	
			<b>knitter-switch</b>		<b>30 19 95</b>
					Page 2/2
Modifications	Date	Name			