

87483-9 ✓ ACTIVE

AMPMODU IV/V

TE Internal #: 87483-9

TE Internal Description: 40 MODIV HSG COMP DR .100 EARS

[View on TE.com >](#)



Product Compliance

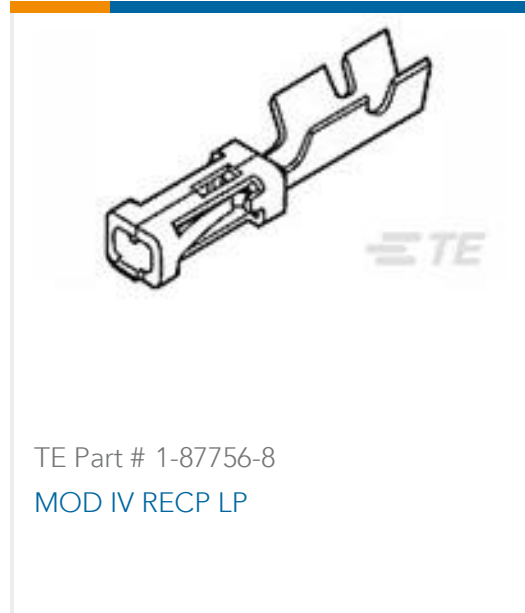
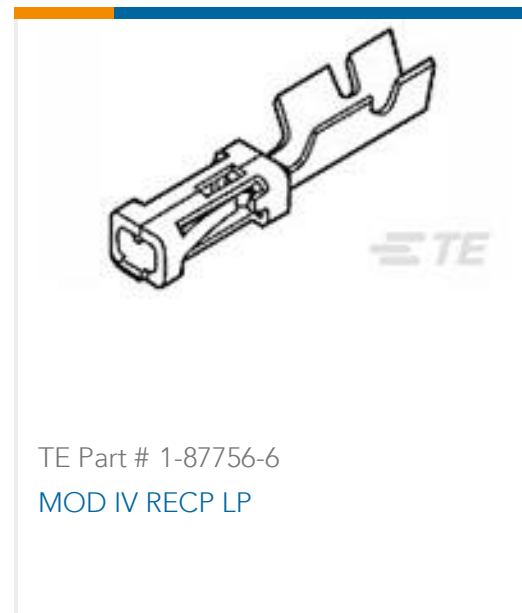
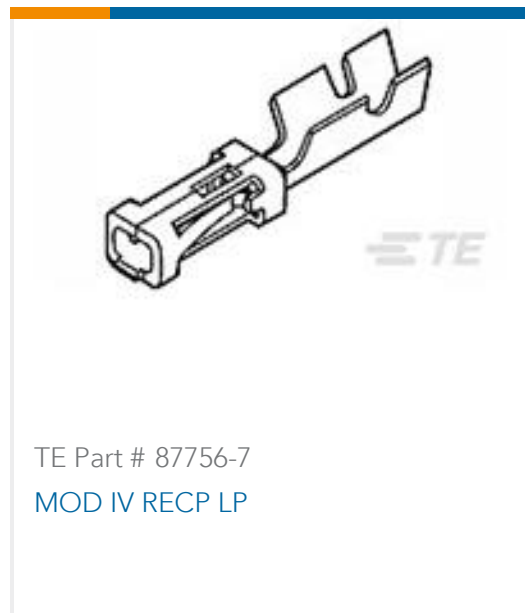
[For compliance documentation, visit the product page on TE.com>](#)

EU RoHS Directive 2011/65/EU	Compliant
EU ELV Directive 2000/53/EC	Compliant
China RoHS 2 Directive MIIT Order No 32, 2016	No Restricted Materials Above Threshold
EU REACH Regulation (EC) No. 1907/2006	Current ECHA Candidate List: JUNE 2024 (241) Candidate List Declared Against: JUNE 2024 (241) Does not contain REACH SVHC
Halogen Content	BFR/CFR/PVC Free, but Br/Cl >900 ppm in other sources.
Solder Process Capability	Not applicable for solder process capability

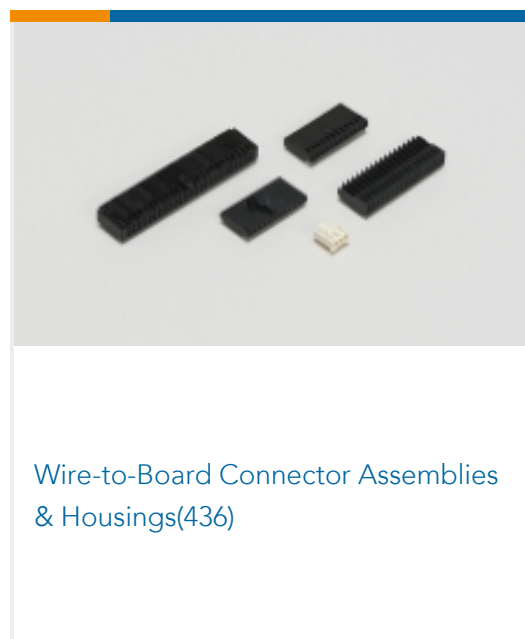
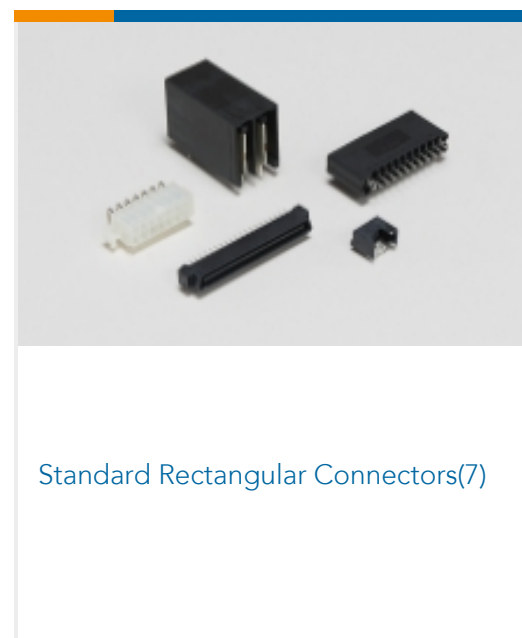
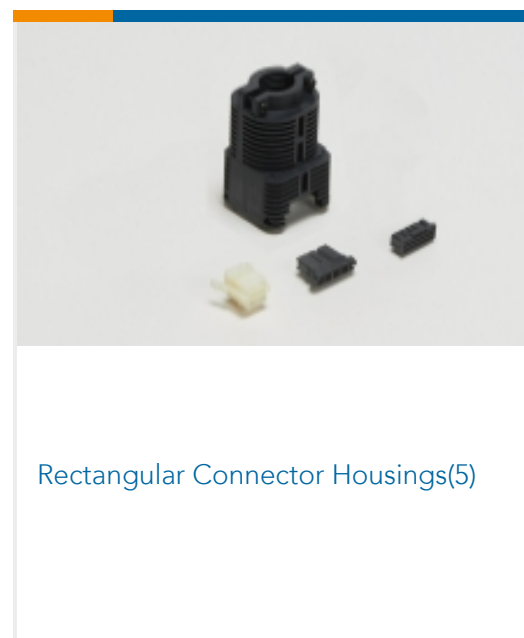
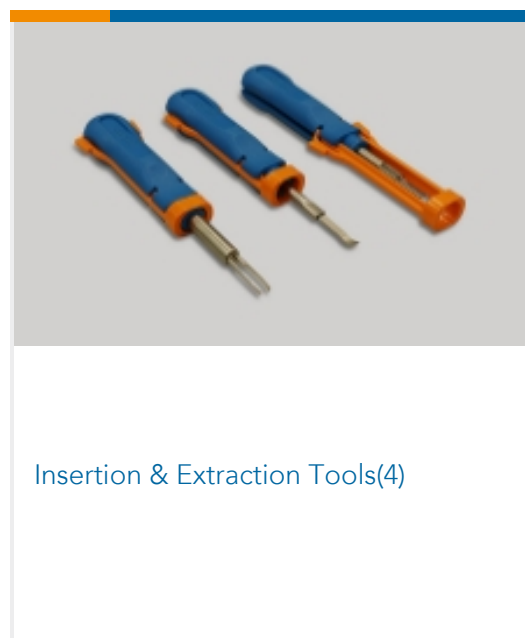
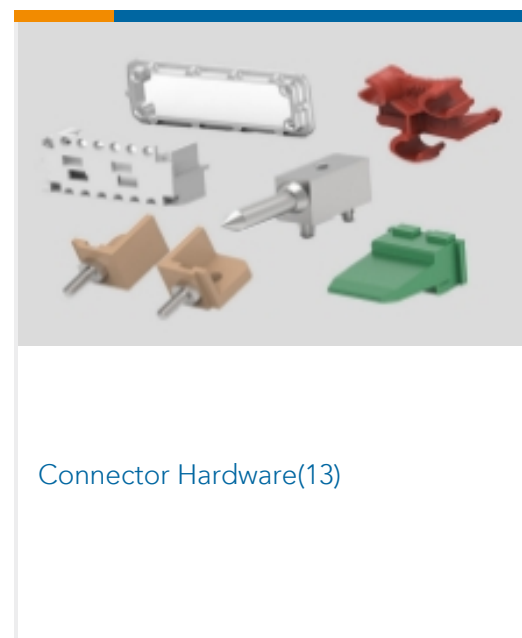
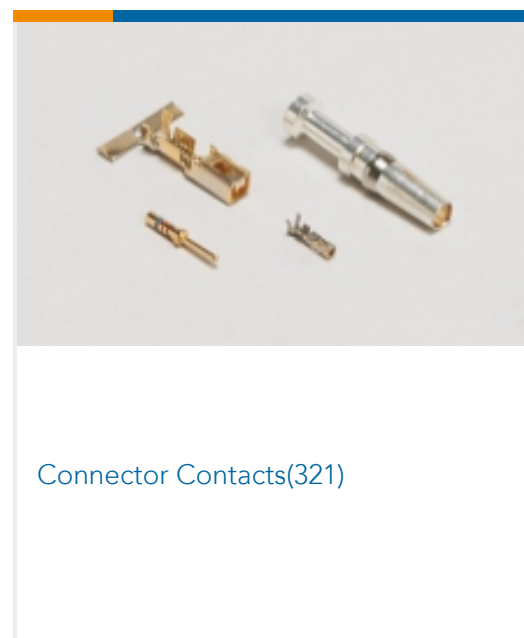
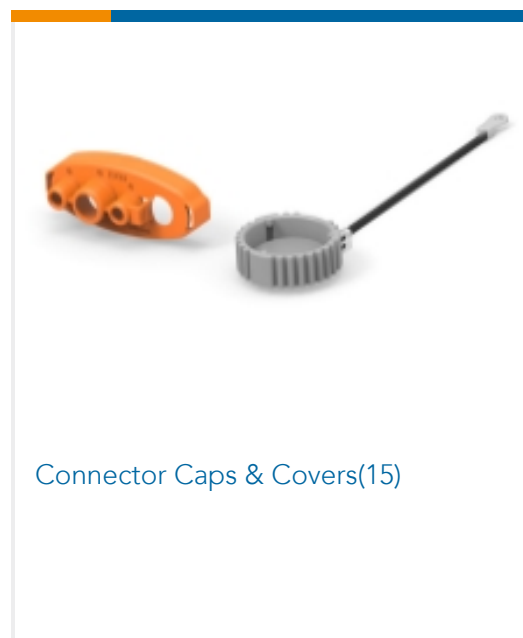
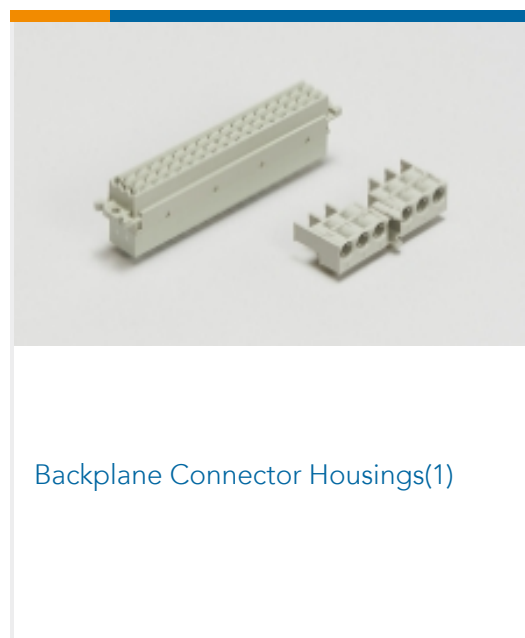
Product Compliance Disclaimer

This information is provided based on reasonable inquiry of our suppliers and represents our current actual knowledge based on the information they provided. This information is subject to change. The part numbers that TE has identified as EU RoHS compliant have a maximum concentration of 0.1% by weight in homogenous materials for lead, hexavalent chromium, mercury, PBB, PBDE, DBP, BBP, DEHP, DIBP, and 0.01% for cadmium, or qualify for an exemption to these limits as defined in the Annexes of Directive 2011/65/EU (RoHS2). Finished electrical and electronic equipment products will be CE marked as required by Directive 2011/65/EU. Components may not be CE marked. Additionally, the part numbers that TE has identified as EU ELV compliant have a maximum concentration of 0.1% by weight in homogenous materials for lead, hexavalent chromium, and mercury, and 0.01% for cadmium, or qualify for an exemption to these limits as defined in the Annexes of Directive 2000/53/EC (ELV). Regarding the REACH Regulation, the information TE provides on SVHC in articles for this part number is based on the latest European Chemicals Agency (ECHA) 'Guidance on requirements for substances in articles' posted at this URL: <https://echa.europa.eu/guidance-documents/guidance-on-reach>

Compatible Parts



Also in the Series | AMPMODU IV/V



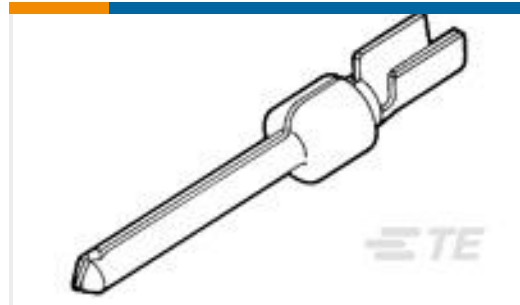
Customers Also Bought



TE Part #5750636-1
KIT, PLUG, 15P, HDP-20, SHLD HDWRE



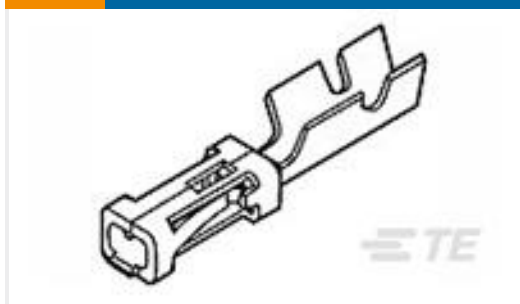
TE Part #5747150-7
09 RCPT SP/FMS INSRT



TE Part #745229-7
20DF PIN CONT L.P.



TE Part #130522
PIDG SPADE



TE Part #86015-2
MOD IV RECP LP



TE Part #1-1614959-0
CPF0805 1M3 0.1% 25PPM 1K RL



TE Part #ADP-BNCF-BNCF-R
BNC Plug to BNC Jack RA



TE Part #CFSA35606P1-B30NF
OMNI, LOW PIM, 30CM, NF, HOL

Documents

Product Specifications

[Product Specification](#)

English