

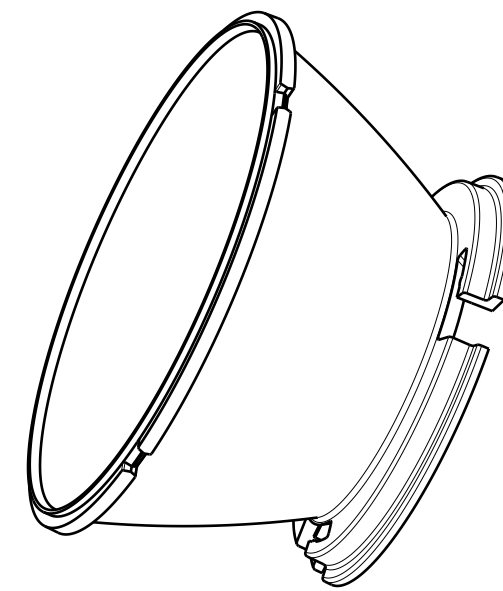
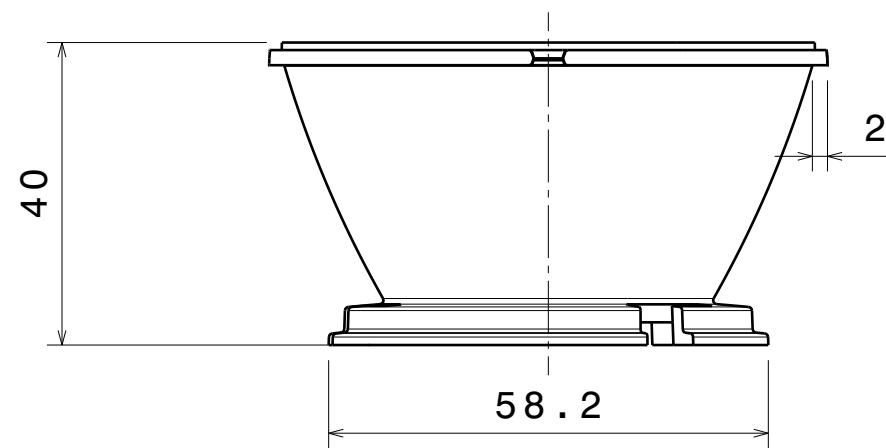
This drawing applies to:

C12597_LENINA-S

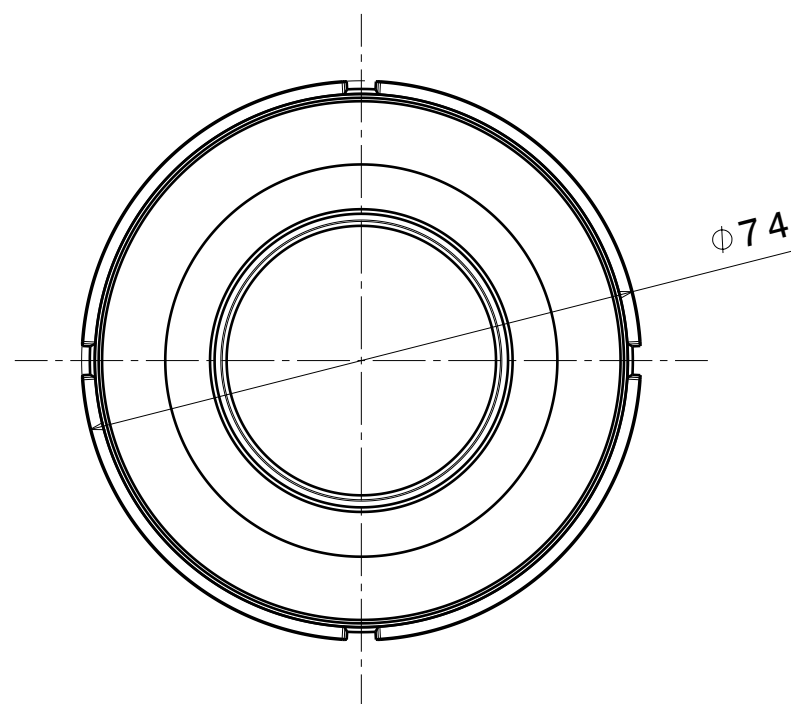
C12598_LENINA-M

C12599_LENINA-W

C12958_LENINA-XW



Isometric view



INDEX	DESCRIPTION	MATERIAL
1	Lenina-reflector	PC

Tolerances if not otherwise shown
 According to DIN ISO 2768-1
 Linear measures:
 Up to 30mm class M, otherwise class C.
 According to DIN ISO 2768-2
 Form and position: class L



Ledil Oy
 Salorankatu 10
 FIN 24240 SALO
 Finland

THIRD ANGLE PROJECTION:

DRAWING TITLE
Datasheet_Lenina-reflector

This drawing is the property
 of LEDiL Oy. It may not be
 reproduced, copied or
 communicated without a written
 agreement with LEDiL Oy."

SIZE	PART NUMBER		
A3	-		
SCALE	1:1	WEIGHT	(g)
		SHEET	1/1

Mouser Electronics

Authorized Distributor

Click to View Pricing, Inventory, Delivery & Lifecycle Information:

[Ledi:](#)

[CP14399_LISA-RS](#)