



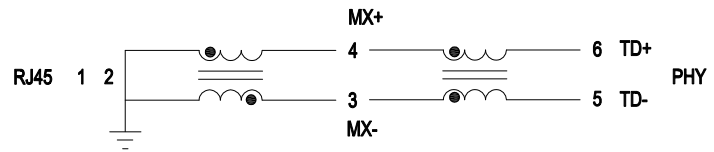
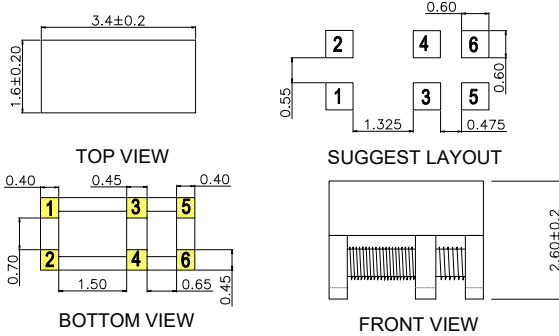
CHIP LAN FILTER

Meets IEEE 802.3 & ANSI X3.263 Standards.
Designed For 1G BASE-T Applications, Surface Mount Type.
Operating Temperature Range: -40 °C to +85°C.
RoHS Compliant.

Part Number	Electrical Specifications @25°C									
	Inductance 100KHz 0.1V (uH Min) 1-2to3-4	Capacitance 100K 0.1V (pF Max) 1-2-3 to 4-5-6	CWW(pF Max) @100KHz,0.1V	DCR (Ω Max)	Insertion Loss (dB Max)	Return Loss (dB Min)	Rated Current mA Max	Rated Volt (Vdc)	Common mode Impedance (ohm ±25%@100M) 3-4 to 6-5	IR M(Ω Min)
CM3216D11-601	55	20	35	3.0	-2.0	-10	200	50	600	10

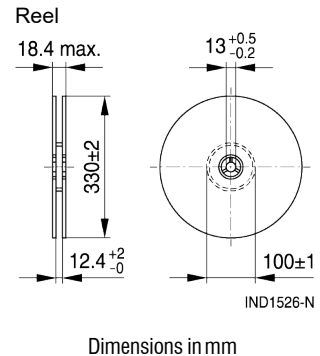
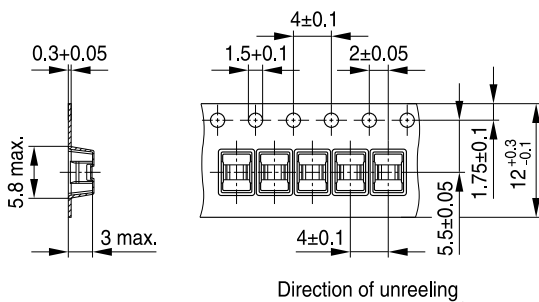
MECHANICAL

SCHEMATICS



Unless otherwise specified all tolerances are:±0.1mm

TAPING AND PACKING



Quantity (pcs):
7000 PCS PER REEL
3 REELS PER CARTON
21000 PCS PER CARTON