

# VS-09-IBS-ST - D-SUB connector



1689271

<https://www.phoenixcontact.com/us/products/1689271>

Please be informed that the data shown in this PDF document is generated from our online catalog. Please find the complete data in the user documentation. Our general terms of use for downloads are valid.

D-SUB connector, degree of protection: IP20, number of positions: 9, material: Plastic, connection method: Screw connection, connection cross section: AWG 26- 20, cable outlet: angled, housing size: 1, color: gray, INTERBUS



## Commercial data

Item number	1689271
Packing unit	1 pc
Minimum order quantity	1 pc
Sales key	AB19
Product key	ABNCBA
Catalog page	Page 444 (C-2-2019)
GTIN	4017918892746
Weight per piece (including packing)	91.9 g
Weight per piece (excluding packing)	91.9 g
Customs tariff number	85369010
Country of origin	DE

# VS-09-IBS-ST - D-SUB connector



1689271

<https://www.phoenixcontact.com/us/products/1689271>

## Technical data

### Product properties

Product type	Data connector (cable side)
Application	INTERBUS
Type	D-SUB
Sensor type	INTERBUS
Number of positions	9
Connection profile	D-SUB
No. of cable outlets	2
Type	Male
Shielded	yes
Cable outlet	angled

### Data management status

Article revision	03
------------------	----

### Insulation characteristics

Overvoltage category	II
Degree of pollution	2

### Electrical properties

Rated voltage (III/3)	63 V
Rated surge voltage	0.5 kV
Rated current	1 A
Transmission medium	Copper

### Connection data

#### Connection technology

Connection method	Screw connection
Connection cross section AWG	26 ... 20
Conductor cross section	0.14 mm <sup>2</sup> ... 0.5 mm <sup>2</sup>

### Material specifications

Color	gray
Flammability rating according to UL 94	V0
Housing material	Plastic
Cable seal material	CR/NBR
Contact material	Copper alloy
Contact surface material	Gold over nickel
Contact carrier material	PBTP

### Cable/line

External cable diameter	5 mm ... 9 mm
-------------------------	---------------

# VS-09-IBS-ST - D-SUB connector



1689271

<https://www.phoenixcontact.com/us/products/1689271>

Cable cross section	0.14 mm <sup>2</sup>
---------------------	----------------------

## Mechanical properties

### Mechanical data

Insertion/withdrawal cycles	≥ 200
-----------------------------	-------

## Environmental and real-life conditions

### Ambient conditions

Degree of protection	IP20
Ambient temperature (operation)	-20 °C ... 70 °C

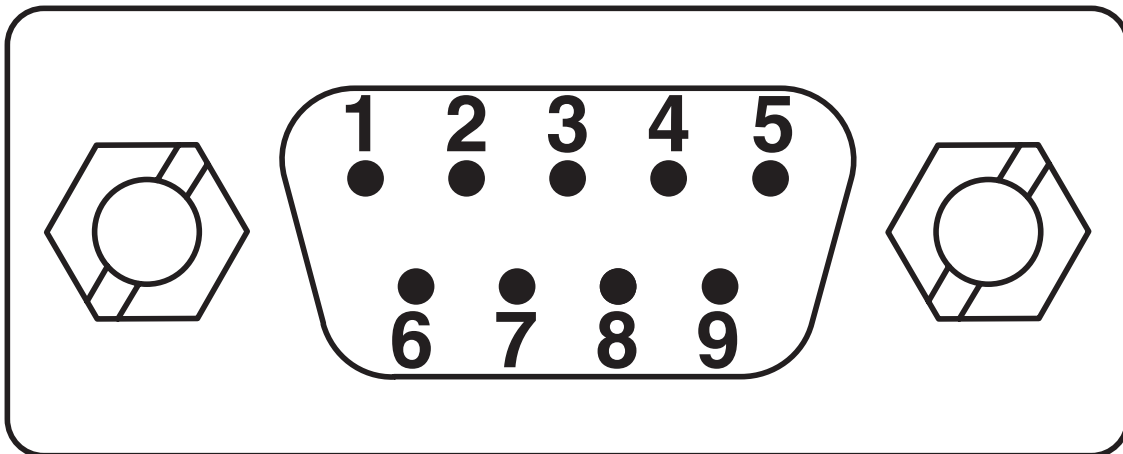
# VS-09-IBS-ST - D-SUB connector

1689271

<https://www.phoenixcontact.com/us/products/1689271>

## Drawings

Schematic diagram



9-pos. D-SUB male plug

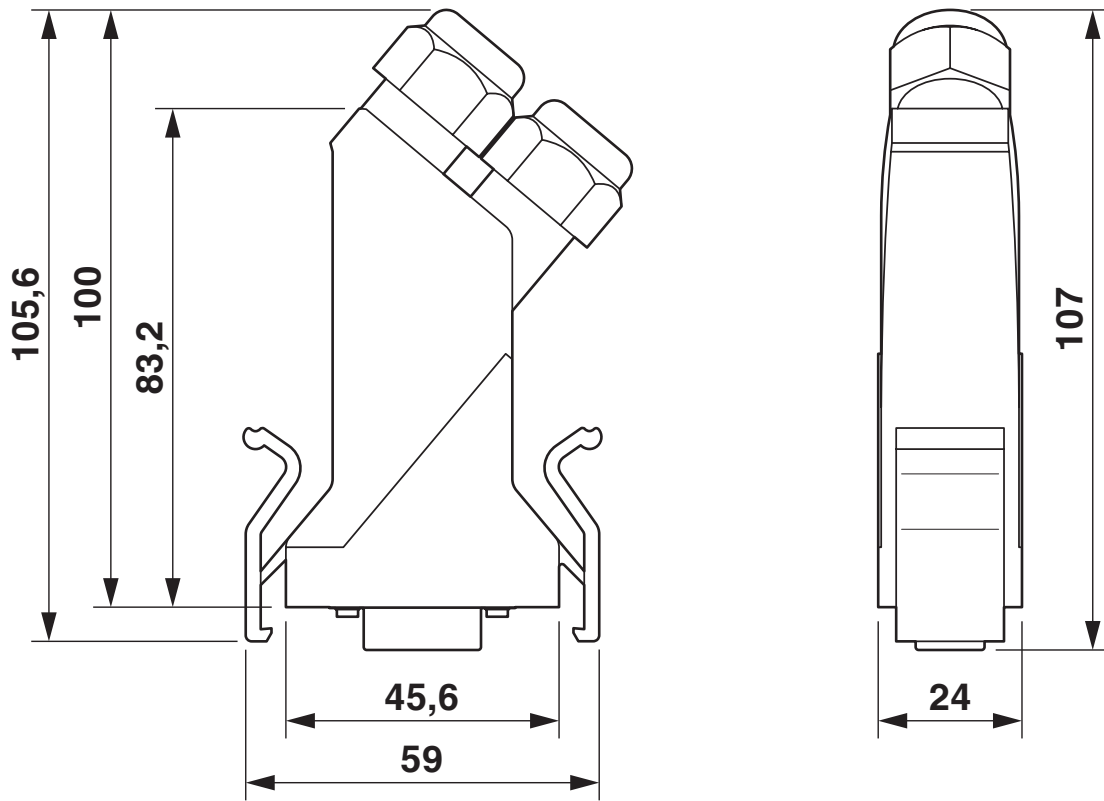
# VS-09-IBS-ST - D-SUB connector

1689271

<https://www.phoenixcontact.com/us/products/1689271>



Dimensional drawing



D-SUB connector

# VS-09-IBS-ST - D-SUB connector



1689271

<https://www.phoenixcontact.com/us/products/1689271>

## Classifications

### ECLASS

ECLASS-11.0	27440302
ECLASS-13.0	27440302
ECLASS-12.0	27440302

### ETIM

ETIM 9.0	EC001132
----------	----------

### UNSPSC

UNSPSC 21.0	39121400
-------------	----------

# VS-09-IBS-ST - D-SUB connector



1689271

<https://www.phoenixcontact.com/us/products/1689271>

## Environmental product compliance

### EU RoHS

Fulfills EU RoHS substance requirements	Yes
Exemption	6(c)

### China RoHS

Environment friendly use period (EFUP)	EFUP-50
	An article-related China RoHS declaration table can be found in the download area for the respective article under "Manufacturer declaration". For all articles with EFUP-E, no China RoHS declaration table issued and required.

### EU REACH SVHC

REACH candidate substance (CAS No.)	Lead(CAS: 7439-92-1)
SCIP	21b6f9f9-90ed-43d5-b66c-9d9d80bd8d83

Phoenix Contact 2024 © - all rights reserved

<https://www.phoenixcontact.com>

Phoenix Contact USA  
586 Fulling Mill Road  
Middletown, PA 17057, United States  
(+717) 944-1300  
[info@phoenixcon.com](mailto:info@phoenixcon.com)