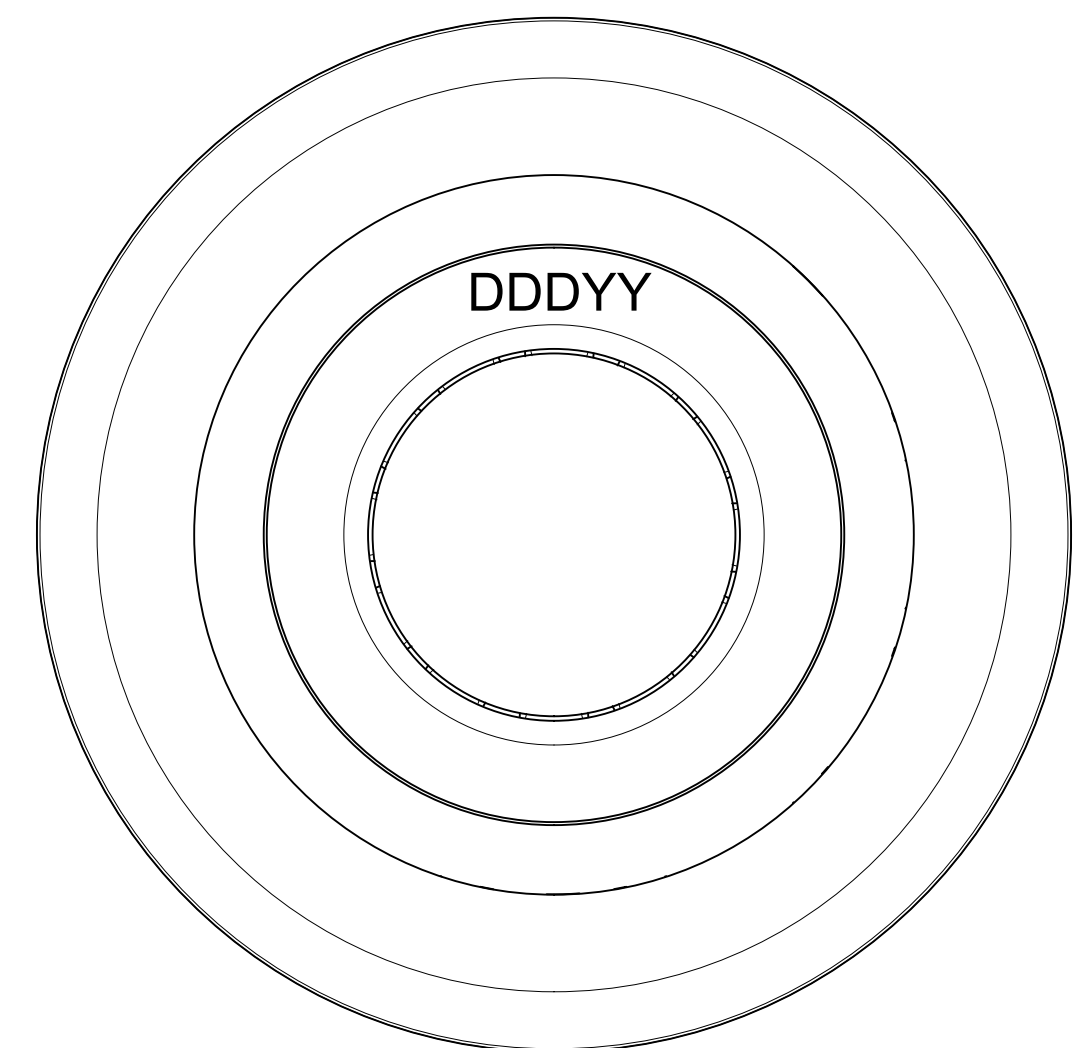
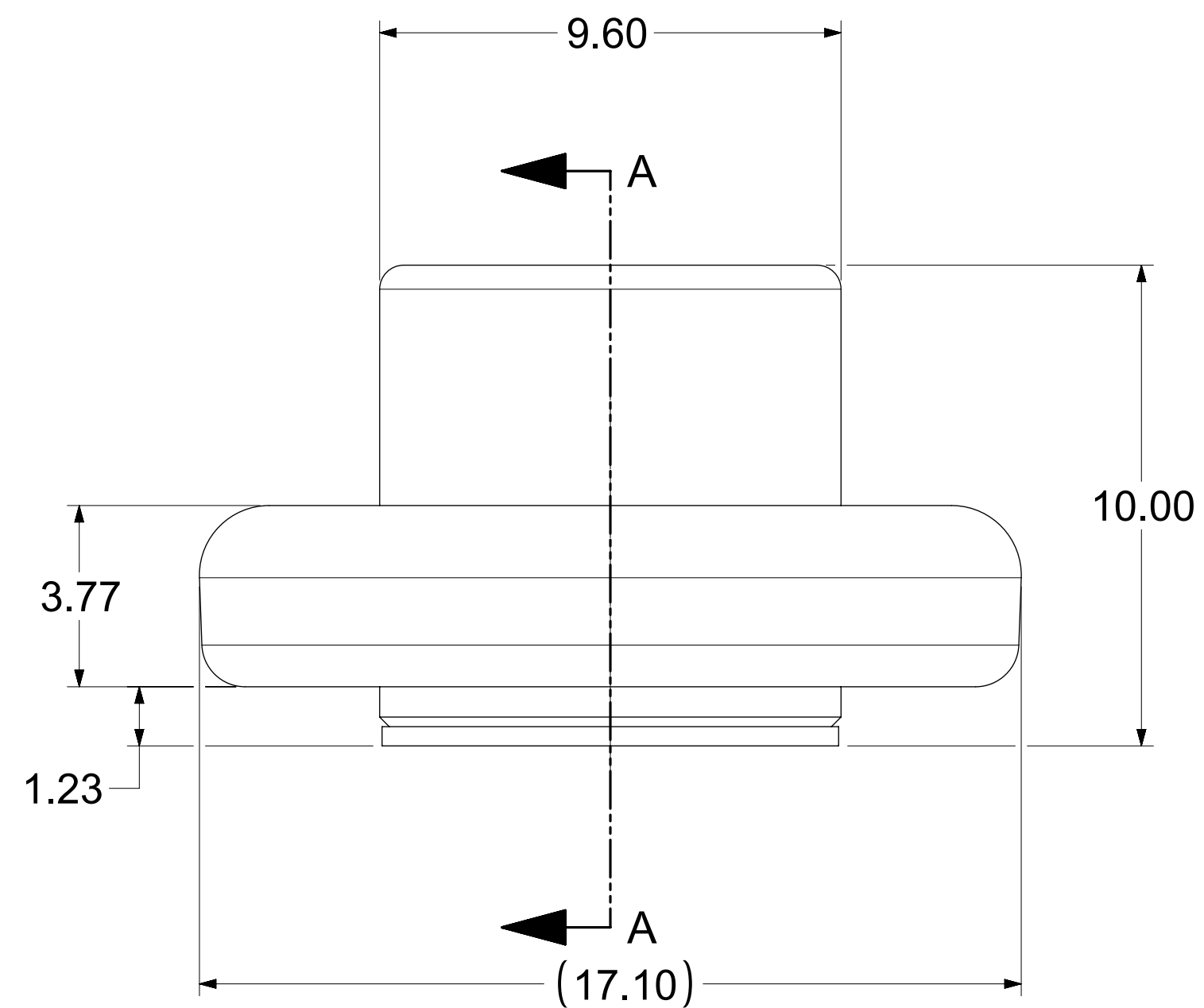
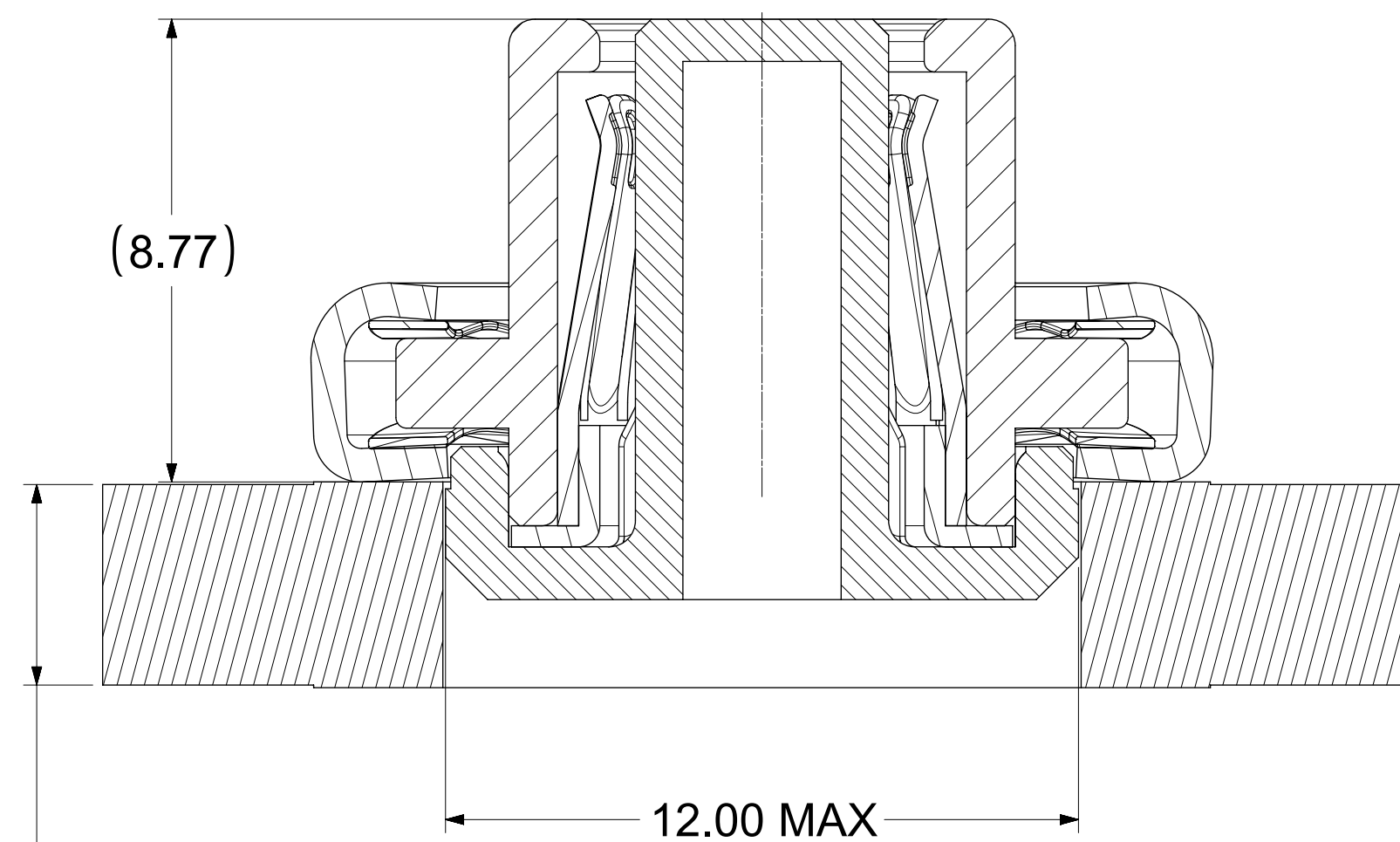


MATING PROFILE



3.80 SHOWN
(1.58MM MINIMUM
RECOMMENDED PCB
THICKNESS)



SECTION A-A

NOTES:

- MATERIALS:
RETENTION CAP: STAINLESS STEEL
PICK AND PLACE CAP: LCP UL94, V-0 COLOR BLACK
BASE METAL: HIGH CONDUCTIVE COPPER ALLOY
PLATING ON CONTACTS: 0.75 MICRON MIN GOLD OVER 1.27 MICRON MIN NICKEL
PLATING ON BODY: 3.18 MICRON MIN SILVER OVER 1.27 MICRON MIN NICKEL
- MATES WITH THE STANDARD PIN DRAWINGS:
i. 6.0MM SMT DRAWING 2032630136-SD, MIN. MATING DISTANCE 11.57MM
ii. 6.0MM PRESS FIT DRAWING 2032630006-SD, MIN. MATING DISTANCE 11.32MM
iii. 6.0MM SCREW MOUNT DRAWING 2032636185-SD, MIN. MATING DISTANCE 14.32MM
- PRODUCT SPECIFICATION: 2043130006-PS
- APPLICATION SPECIFICATION: 2043130006-AS
- PACKAGING SPECIFICATION: 2043650016-PK
- SILVER COMPONENTS WILL BE SUPPLIED TARNISH FREE BUT MAY TARNISH OVER TIME.
- PICK AND PLACE CAP TO BE REMOVED AFTER SOLDERING. CAP TO BE PUSHED OUT OF BOTTOM FROM THE TOP.
- DATE CODE TO BE LASER MARKED APPROXIMATELY WHERE SHOWN USING DDDYY FORMAT

THIS DRAWING CONTAINS INFORMATION THAT IS PROPRIETARY TO MOLEX ELECTRONIC TECHNOLOGIES, LLC AND SHOULD NOT BE USED WITHOUT WRITTEN PERMISSION											
DIMENSION UNITS		SCALE		CURRENT REV DESC: UPDATED THE TITLE BLOCK							
mm		NTS									
GENERAL TOLERANCES (UNLESS SPECIFIED)											
ANGULAR TOL ± 0.5°											
4 PLACES		±		EC NO: 747243		2023/02/28					
3 PLACES		±		DRWN: SACHIK7		2023/04/25					
2 PLACES		± 0.15		CHK'D: SCS02		2023/04/26					
1 PLACE		± 0.25		APPR: HTHYAGARAJ		2023/04/26					
0 PLACES		±		INITIAL REVISION:							
				DRWN: TOMLU		2019/01/17					
				APPR: BPISZCZOR		2019/05/07					
DRAFT WHERE APPLICABLE MUST REMAIN WITHIN DIMENSIONS				THIRD ANGLE PROJECTION		DRAWING		SERIES		MATERIAL NUMBER	
				D-SIZE		204365		2043650016		CUSTOMER	
								GENERAL MARKET		SHEET NUMBER	
										1 OF 1	