

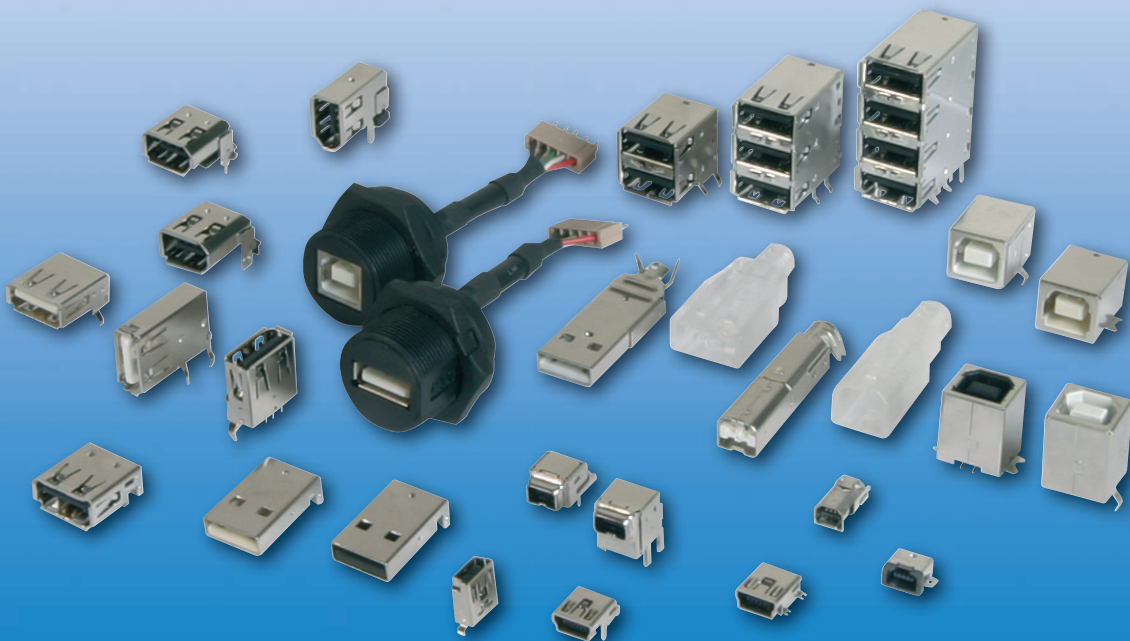
- Cable assemblies
- D-Sub / Hoods Centronics
- Multiflex - DIN41651
- Modular
- USB IEEE1394**
- Switches
- Powercords Powerlets
- DIN41612 Hardmetric
- MiniDIN
- Sockets / Strips Jumper
- Terminal Blocks
- Memory Card
- FFC / FPC

USB Steckverbinder von ASSMANN WSW components sind verpolungssichere Steckverbinder die standardmäßig mit 4 Kontakten ausgerüstet sind. Die Einsatzgebiete für diesen I/O oder Schnittstellensteckverbinder sind vielfältig, finden sich jedoch vornehmlich im Computer- und Computerzubehörmarkt wieder, sowie in Geräten für den Consumer – Markt, z.B.: Einsatz in der Fototechnik (Digitalkameras und Zubehör). Neben kundenspezifischen Lösungen, in Anpassung an spezielle Gerätekonfigurationen, erhalten Sie die Standardbauformen A gemäß DIN IEC 61076-3-107 und B gemäß DIN IEC 61076-3-108 ab Lager. Anwendungen mit reduziertem Einbauraum können mit den sogenannten MINI-USB Steckverbindern gelöst werden. Aus der Angebotspalette der ASSMANN WSW components erhalten Sie hier verschiedene Bauformen mit 4- oder 5-Anschlußkontakten. Darüber hinaus werden für den industriellen Einsatz Versionen des USB-12V und USB-24V Steckerverbinders angeboten.

IEEE1394 Steckverbinder von ASSMANN WSW components basieren auf dem USB Steckverbinderkonzept, stellen jedoch deren Weiterentwicklung dar. Diese Schnittstellensteckverbinder werden überwiegend für den schnellen Datenaustausch zwischen Computern und zugehörigen Peripheriegeräten eingesetzt, aber auch in der Industrie- und Automobilelektronik finden diese Produkte verstärkt ihren Einsatz. Die gängigsten Anschlussarten sind hier THT und SMT. Natürlich bietet die ASSMANN WSW components aus ihrem Programm auch die passenden Gegensteckverbinder an.

USB connectors from ASSMANN WSW components are polarised connectors, which are loaded with 4 contacts. Various applications for these type of I/O or interface connector do exist, but primarily you will find these type of I/O connector in the EDP and computer accessory market, as well as in the consumer market, e.g.: designed into photo devices (digital cameras and accessories). Beside some customer special connectors, designed for dedicated, very specific applications, the standard styles A according to DIN IEC 61076-3-107 and B according to DIN IEC 61076-3-108 are available of the shelf. For applications with reduced available space ASSMANN WSW components recommend to use MINI-USB connectors. The product range do include different product designs with 4- or 5-contacts. Furthermore ASSMANN WSW components offers an USB connector -12V and USB connector- 24V for industrial applications.

IEEE1394 connectors from ASSMANN WSW components are based on the original USB connector design, but can be seen as an advanced technology. IEEE1394 interface connectors are predominantly used for fast data exchange processes between computers and their peripheral devices, but do apply as well to other industrial and automotive applications. Standard contact types are THT and SMT. Certainly ASSMANN WSW components do offer out of the wide range of products a suitable mating half cable connector as a counterpart to the above mentioned PCB connectors.



Produktbeschreibung	Seite
USB, Bauform A, DIP	130
USB, Bauform B, DIP	131
USB, Bauform A, SMD	132
USB, Bauform B, abgewinkelt, SMD	133
USB, Bauform A, Top entry, DIP	134
USB, Bauform B, Top entry, DIP	135
USB, Bauform B, Top entry, SMD	136
USB, Bauform A, Stecker, DIP	137
USB, Bauform A, Doppel-Port, DIP	138
USB, Bauform A, vertikal, DIP	139
USB, Bauform A, vertikal, kurze Ausführung, DIP	140
USB, Bauform B-Mini, DIP	141
USB, Bauform B-Mini, SMD	142
USB, Bauform B-Mini, Ausführung M, SMD	144
USB, Bauform B-Mini, Ausführung H, SMD	146
USB, Bauform B-Mini, Top entry, DIP	148
USB, Bauform A+B, zur selbstassemblierung	149
IEEE 1394, vertikale Ausführung, DIP	150
IEEE 1394, horizontale Ausführung, DIP	151
IEEE 1394, op entry, DIP	152
IEEE 1394, Mini, DIP	153
IEEE 1394, für Leiterplattenmontage, Mini, SMD	154
IEEE 1394, Mini, flache Ausführung, SMD	155
USB, Bauform A, IP67	156
USB, Bauform B, IP67	157
USB, Bauform A, Stecker + Buchse, Konfektioniert mit Kabel 1m, IP67	159
USB, Bauform B, Stecker + Buchse, Konfektioniert mit Kabel 1m, IP67	160

Product description	page
USB, style A, DIP	130
USB, style B, DIP	131
USB, style A, SMD	132
USB, style B, SMD	133
USB, style A, top entry, DIP	134
USB, style B, top entry, DIP	135
USB, style B, top-entry, SMD	136
USB, style A, male, DIP	137
USB, style A, dual port, DIP	138
USB, style A, vertical, DIP	139
USB, style A, vertical, short version, DIP	140
USB, style B-Mini, DIP	141
USB, style B-Mini, SMD	142
USB, style B-Mini, version M, SMD	144
USB, style B-Mini, version H, SMD	146
USB, style B-Mini, top entry, DIP	148
USB, style A+B, assembly-type	149
IEEE 1394, vertical version, DIP	150
IEEE 1394, horizontal version, DIP	151
IEEE 1394, top-entry, DIP	152
IEEE 1394, Mini, DIP	153
IEEE 1394, for PCB mounting, Mini-SMD	154
IEEE 1394, Mini, flat version, SMD	155
USB, style A, IP67	156
USB, style B, IP67	157
USB, style A, male + female, assembled with cable 1m, IP67	159
USB, style B, male + female, assembled with cable 1m, IP67	160



Cable assemblies
D-Sub / Hoods Centronics
Multiflex - DIN41651
Modular
USB IEEE 1394
Switches
Powercards Powerinlets
DIN41612 Hardmetric
MiniDIN
Sockets / Strips Jumper
Terminal Blocks
Memory Card
FFC / FPC

Cable
assemblies

D-Sub / Hoods
Centronics

Multiflex -
DIN41651

Modular

USB
IEEE1394

Switches

Powercords
Powerlets

DIN41612
Hardmetric

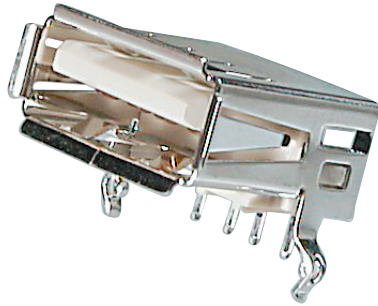
MiniDIN

Sockets / Strips
Jumper

Terminal Blocks

Memory Card

FFC / FPC



Isolierkörpermaterial
PBT, UL94V-0

Kontaktmaterial
Messing

Kontaktoberfläche
Ni, Au / Sn

Kontaktwiderstand
30mΩ max

Isolationswiderstand
1000MΩ min

Strombelastbarkeit
1A

Betriebstemperatur
-20°C - +85°C

Betriebsspannung
30V

Prüfspannung
500V

Verpackung
Blisterverpackung

Insulator material
PBT, UL94V-0

Contact material
Brass

Plating
Ni, Au / Sn

Contact resistance
30mΩ max

Insulation resistance
1000MΩ min

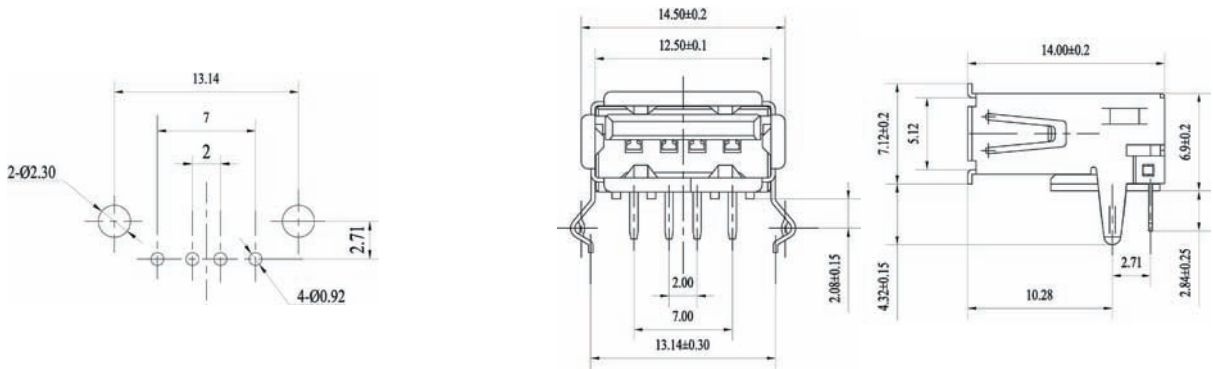
Current rating
1A

Operating temperature
-20°C - +85°C

Operating voltage
30V

Test voltage
500V

Packing
Tray packing



Bestellcode / Ordercode

A - Bauform A

A - Style A

A USBS - A

Isolierkörpermaterial

PBT, UL94V-0

Kontaktmaterial

Phosphorbronze

Kontaktfläche

Ni, Au / Sn

Kontaktwiderstand

30mΩ max

Isolationswiderstand

1000MΩ min

Strombelastbarkeit

1A

Betriebstemperatur

-20°C - +85°C

Betriebsspannung

30V

Prüfspannung

500V

Verpackung

Blisterverpackung

Insulator material

PBT, UL94V-0

Contact material

Phosphor bronze

Plating

Ni, Au / Sn

Contact resistance

30mΩ max

Insulation resistance

1000MΩ min

Current rating

1A

Operating temperature

-20°C - +85°C

Operating voltage

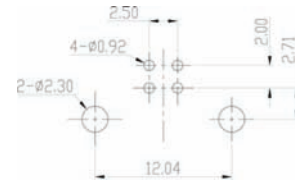
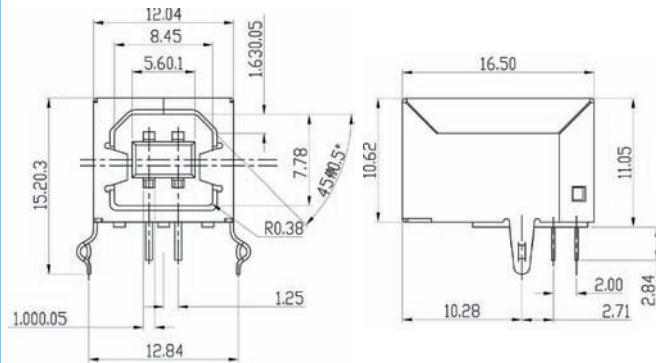
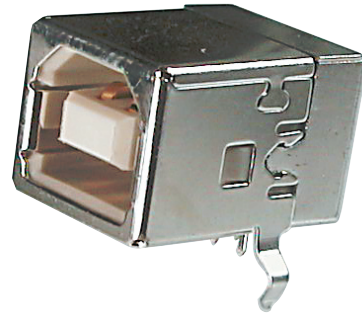
30V

Test voltage

500V

Packing

Tray packing



Bestellcode / Ordercode

B - Bauform B

B - Style B

A - USBS - B

Cable assemblies

D-Sub / Hoods Centronics

Multiflex - DIN41651

Modular

USB IEEE 1394

Switches

Powercards Powerinlets

DIN41612 Hardmetric

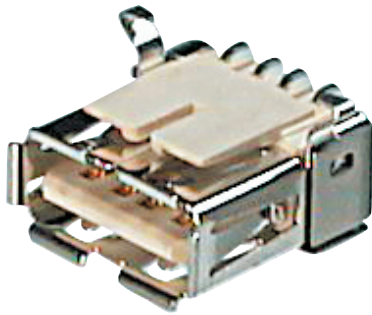
MiniDIN

Sockets / Strips Jumper

Terminal Blocks

Memory Card

FFC / FPC



Isolierkörpermaterial
PA9T, UL94V-0

Kontaktmaterial
Phosphorbronze

Kontaktfläche
Ni, Au / Sn

Kontaktwiderstand
30mΩ max

Isolationswiderstand
1000MΩ min

Strombelastbarkeit
1A

Betriebstemperatur
-20°C - +85°C

Betriebsspannung
30V

Prüfspannung
500V

Verpackung
Blisterverpackung oder
Rollenverpackung

Insulator material
PA9T, UL94V-0

Contact material
Phosphor bronze

Plating
Ni, Au / Sn

Contact resistance
30mΩ max

Insulation resistance
1000MΩ min

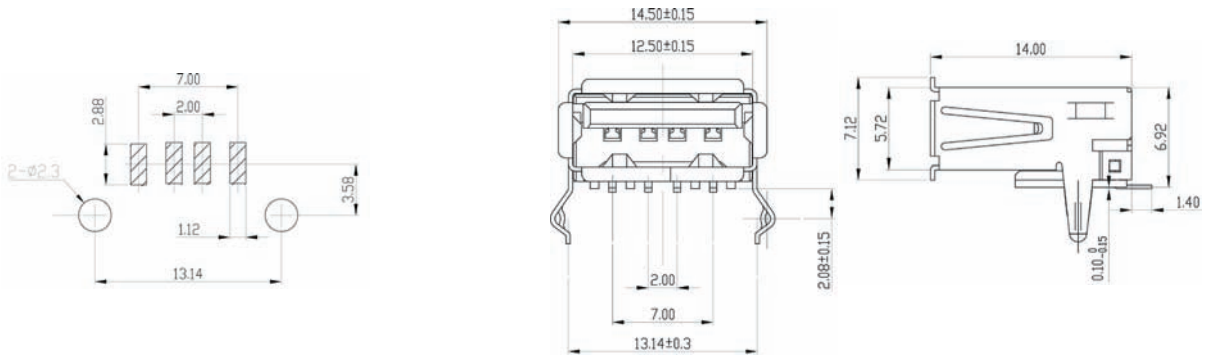
Current rating
1A

Operating temperature
-20°C - +85°C

Operating voltage
30V

Test voltage
500V

Packing
Tray packing or
Reel packing



Bestellcode / Ordercode

A - Bauform A

A - Style A

Verpackung
 - - Blister*
 R - Rolle

Packing
 - - Tray*
 R - Reel

A - USB A - SMT - x

Bitte „x“ durch die geeignete Option ersetzen
 Please replace „x“ with appropriate option

* Standard

- Cable assemblies
- D-Sub / Hoods Centronics
- Multiflex - DIN41651
- Modular
- USB IEEE1394**
- Switches
- Powercords Powerlets
- DIN41612 Hardmetric
- MiniDIN
- Sockets / Strips Jumper
- Terminal Blocks
- Memory Card
- FFC / FPC

Isolierkörpermaterial

PA9T, UL94V-0

Kontaktmaterial

Messing

Kontaktfläche

Ni, Au / Sn

Kontaktwiderstand

30mΩ max

Isolationswiderstand

1000MΩ min

Strombelastbarkeit

1A

Betriebstemperatur

-20°C - +85°C

Betriebsspannung

30V

Prüfspannung

500V

Verpackung

Blisterverpackung oder
 Rollenverpackung

Insulator material

PA9T, UL94V-0

Contact material

Brass

Plating

Ni, Au / Sn

Contact resistance

30mΩ max

Insulation resistance

1000MΩ min

Current rating

1A

Operating temperature

-20°C - +85°C

Operating voltage

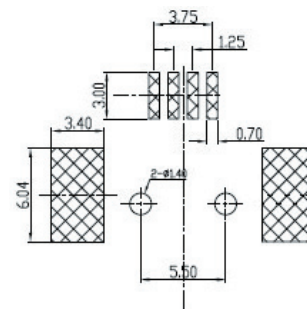
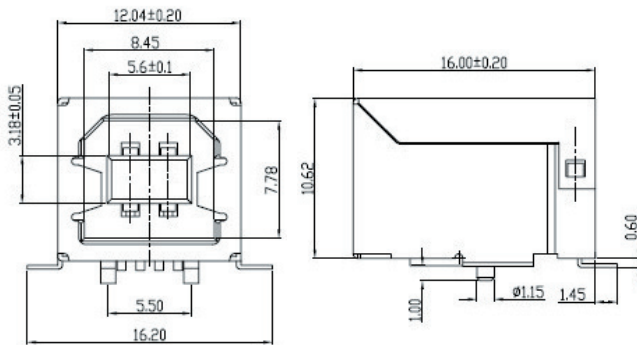
30V

Test voltage

500V

Packing

Tray packing or
 Reel packing



Bestellcode / Ordercode

B - Bauform B

B - Style B

Verpackung

- - Blister*
 R - Rolle

Packing

- - Tray*
 R - Reel

A - USB - B - SMT - x

Bitte „x“ durch die geeignete Option ersetzen
 Please replace „x“ with appropriate option

* Standard

Cable assemblies

D-Sub / Hoods Centronics

Multiflex - DIN41651

Modular

USB IEEE 1394

Switches

Powercards Powerinlets

DIN41612 Hardmetric

MiniDIN

Sockets / Strips Jumper

Terminal Blocks

Memory Card

FFC / FPC

Cable
assemblies

D-Sub / Hoods
Centronics

Multiflex -
DIN41651

Modular

USB
IEEE1394

Switches

Powercords
Powerlets

DIN41612
Hardmetric

MiniDIN

Sockets / Strips
Jumper

Terminal Blocks

Memory Card

FFC / FPC



Isolierkörpermaterial
PBT, UL94V-0

Kontaktmaterial
Phosphorbronze

Kontaktfläche
Ni, Au / Sn

Kontaktwiderstand
30mΩ max

Isolationswiderstand
1000MΩ min

Strombelastbarkeit
1A

Betriebstemperatur
-20°C - +85°C

Betriebsspannung
30V

Prüfspannung
500V

Verpackung
Blisterverpackung

Insulator material
PBT, UL94V-0

Contact material
Phosphor bronze

Plating
Ni, Au / Sn

Contact resistance
30mΩ max

Insulation resistance
1000MΩ min

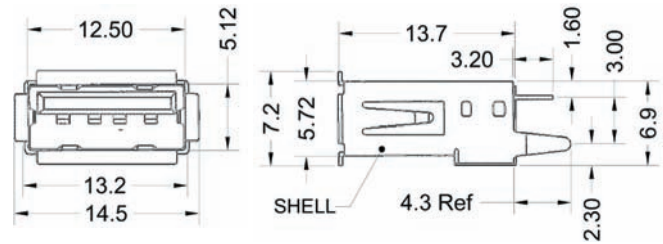
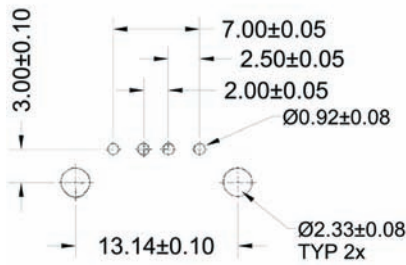
Current rating
1A

Operating temperature
-20°C - +85°C

Operating voltage
30V

Test voltage
500V

Packing
Tray packing



Bestellcode / Ordercode

A - Bauform A

A - Style A

TOP - Top entry (180°)

TOP - Top entry (180°)

A - USB A - TOP

Isolierkörpermaterial

PBT, UL94V-0

Kontaktmaterial

Phosphorbronze

Kontaktfläche

Ni, Au / Sn

Kontaktwiderstand

30mΩ max

Isolationswiderstand

1000MΩ min

Strombelastbarkeit

1A

Betriebstemperatur

-20°C - +85°C

Betriebsspannung

30V

Prüfspannung

500V

Verpackung

Blisterverpackung

Insulator material

PBT, UL94V-0

Contact material

Phosphor bronze

Plating

Ni, Au / Sn

Contact resistance

30mΩ max

Insulation resistance

1000MΩ min

Current rating

1A

Operating temperature

-20°C - +85°C

Operating voltage

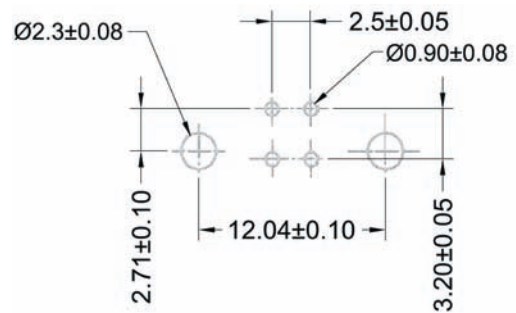
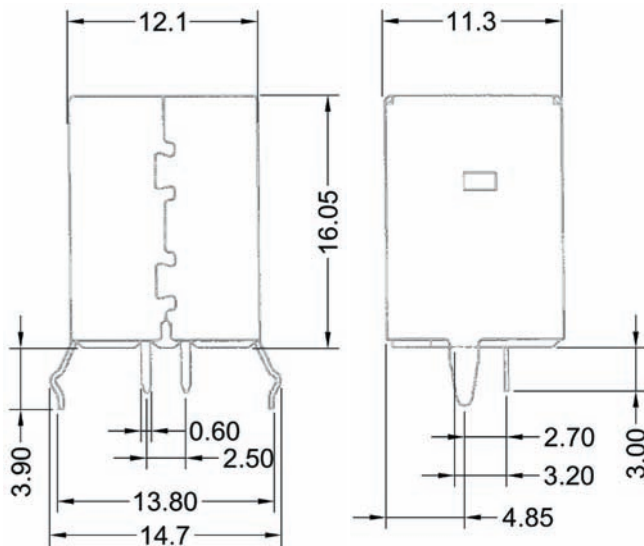
30V

Test voltage

500V

Packing

Tray packing



Bestellcode / Ordercode

B - Bauform B

B - Style B

TOP - Top entry (180°)

TOP - Top entry (180°)

A - USB B - TOP

- Cable assemblies
- D-Sub / Hoods Centronics
- Multiflex - DIN41651
- Modular
- USB IEEE 1394
- Switches
- Powercards Powerinlets
- DIN41612 Hardmetric
- MiniDIN
- Sockets / Strips Jumper
- Terminal Blocks
- Memory Card
- FFC / FPC

Cable
assemblies

D-Sub / Hoods
Centronics

Multiflex -
DIN41651

Modular

USB
IEEE1394

Switches

Powercords
Powerlets

DIN41612
Hardmetric

MiniDIN

Sockets / Strips
Jumper

Terminal Blocks

Memory Card

FFC / FPC



Isolierkörpermaterial
PA9T, UL94V-0

Kontaktmaterial
Messing

Kontaktfläche
Ni, Au / Sn

Kontaktwiderstand
30mΩ max

Isolationswiderstand
1000MΩ min

Strombelastbarkeit
1A

Betriebstemperatur
-20°C - +85°C

Betriebsspannung
30V

Prüfspannung
500V

Verpackung
Blisterverpackung

Insulator material
PA9T, UL94V-0

Contact material
Brass

Plating
Ni, Au / Sn

Contact resistance
30mΩ max

Insulation resistance
1000MΩ min

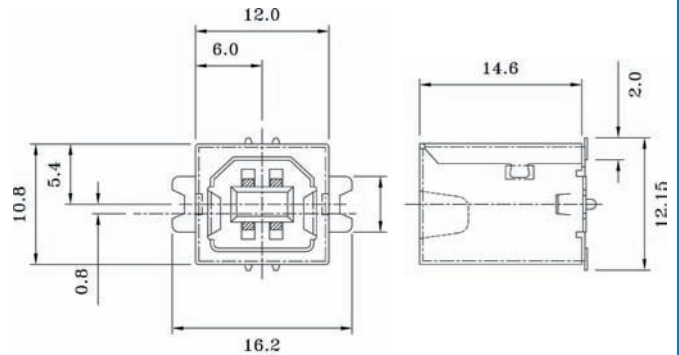
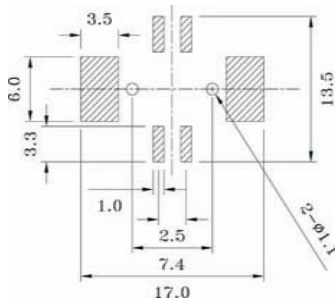
Current rating
1A

Operating temperature
-20°C - +85°C

Operating voltage
30V

Test voltage
500V

Packing
Tray packing



Bestellcode / Ordercode

B - Bauform B

B - Style B

SMT - SMD

SMT - SMD

TOP - Top entry (180°)

TOP - Top entry (180°)

A - USB B - SMT - TOP

Isolierkörpermaterial

PBT, UL94V-0

Kontaktmaterial

Phosphorbronze

Kontaktfläche

Ni, Au / Sn

Kontaktwiderstand

30mΩ max

Isolationswiderstand

1000MΩ min

Strombelastbarkeit

1A

Betriebstemperatur

-20°C - +85°C

Betriebsspannung

30V

Prüfspannung

500V

Verpackung

Blisterverpackung

Insulator material

PBT, UL94V-0

Contact material

Phosphor bronze

Plating

Ni, Au / Sn

Contact resistance

30mΩ max

Insulation resistance

1000MΩ min

Current rating

1A

Operating temperature

-20°C - +85°C

Operating voltage

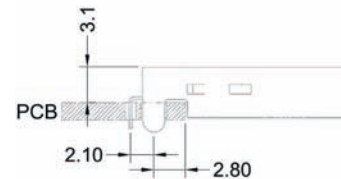
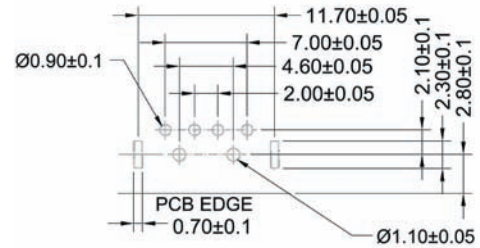
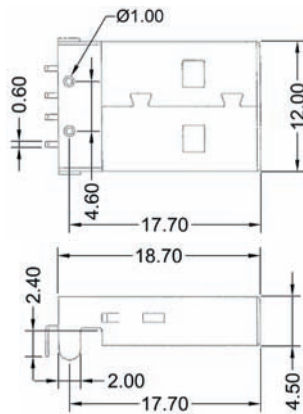
30V

Test voltage

500V

Packing

Tray packing



Bestellcode / Ordercode

A - Bauform A

A - Style A

Ausführung

- - DIP*
 SMT - SMD

Version

- - DIP*
 SMT - SMD

A - USB A - LP - x

Bitte „x“ durch die geeignete Option ersetzen
 Please replace „x“ with appropriate option

* Standard

Cable assemblies

D-Sub / Hoods Centronics

Multiflex - DIN41651

Modular

USB IEEE 1394

Switches

Powercords Powerinlets

DIN41612 Hardmetric

MiniDIN

Sockets / Strips Jumper

Terminal Blocks

Memory Card

FFC / FPC

Cable
assemblies

D-Sub / Hoods
Centronics

Multiflex -
DIN41651

Modular

USB
IEEE1394

Switches

Powercords
Powerlets

DIN41612
Hardmetric

MiniDIN

Sockets / Strips
Jumper

Terminal Blocks

Memory Card

FFC / FPC



Isolierkörpermaterial
PBT, UL94V-0

Kontaktmaterial
Phosphorbronze

Kontaktfläche
Ni, Au / Sn

Kontaktwiderstand
30mΩ max

Isolationswiderstand
1000MΩ min

Strombelastbarkeit
1A

Betriebstemperatur
-20°C - +85°C

Betriebsspannung
30V

Prüfspannung
500V

Verpackung
Blisterverpackung

Insulator material
PBT, UL94V-0

Contact material
Phosphor bronze

Plating
Ni, Au / Sn

Contact resistance
30mΩ max

Insulation resistance
1000MΩ min

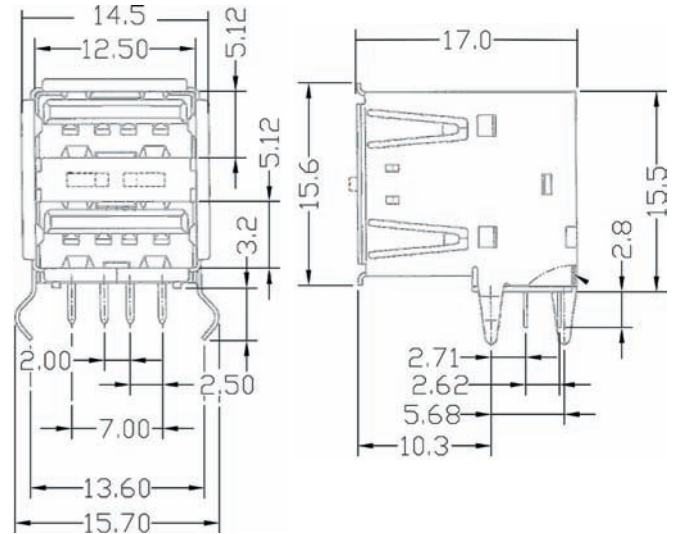
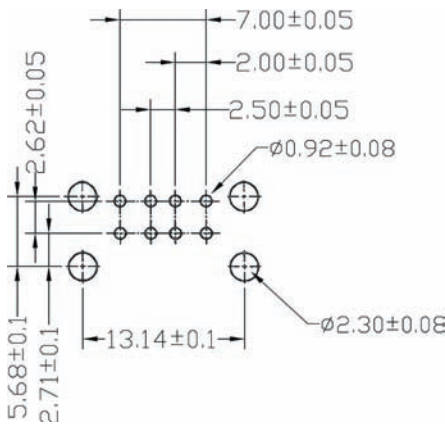
Current rating
1A

Operating temperature
-20°C - +85°C

Operating voltage
30V

Test voltage
500V

Packing
Tray packing



Bestellcode / Ordercode

A - Bauform A

A - Style A

2P - Doppel-Port

2P - Dual port

A - USB A - 2P

Isolierkörpermaterial

PBT, UL94V-0

Kontaktmaterial

Phosphorbronze

Kontaktfläche

Ni, Au / Sn

Kontaktwiderstand

30mΩ max

Isolationswiderstand

1000MΩ min

Strombelastbarkeit

1A

Betriebstemperatur

-20°C - +85°C

Betriebsspannung

30V

Prüfspannung

500V

Verpackung

Blisterverpackung

Insulator material

PBT, UL94V-0

Contact material

Phosphor bronze

Plating

Ni, Au / Sn

Contact resistance

30mΩ max

Insulation resistance

1000MΩ min

Current rating

1A

Operating temperature

-20°C - +85°C

Operating voltage

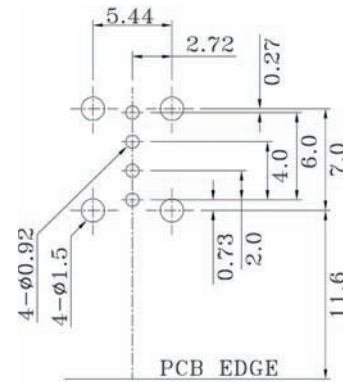
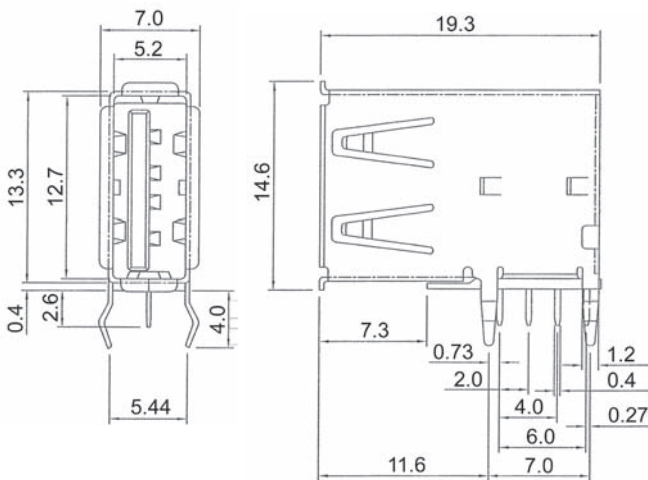
30V

Test voltage

500V

Packing

Tray packing



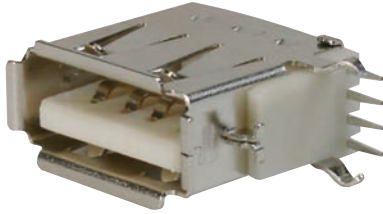
Bestellcode / Ordercode

A - Bauform A
 E - Vertikal

A - Style A
 E - Vertical

A - USB A - E

- Cable assemblies
- D-Sub / Hoods Centronics
- Multiflex - DIN41651
- Modular
- USB IEEE 1394
- Switches
- Powercords Powerinlets
- DIN41612 Hardmetric
- MiniDIN
- Sockets / Strips Jumper
- Terminal Blocks
- Memory Card
- FFC / FPC



Isolierkörpermaterial
PBT, UL94V-0

Kontaktmaterial
Phosphorbronze

Kontaktfläche
Ni, Au / Sn

Kontaktwiderstand
30mΩ max

Isolationswiderstand
1000MΩ min

Strombelastbarkeit
1A

Betriebstemperatur
-20°C - +85°C

Betriebsspannung
30V

Prüfspannung
750V

Verpackung
Blisterverpackung

Insulator material
PBT, UL94V-0

Contact material
Phosphor bronze

Plating
Ni, Au / Sn

Contact resistance
30mΩ max

Insulation resistance
1000MΩ min

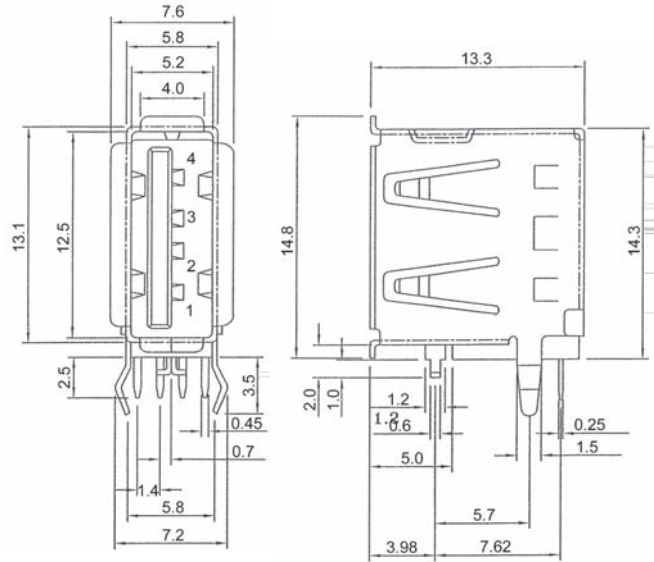
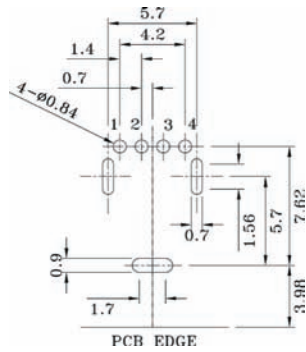
Current rating
1A

Operating temperature
-20°C - +85°C

Operating voltage
30V

Test voltage
750V

Packing
tTay packing



Bestellcode / Ordercode

A - Bauform A

A - Style A

E/LP - Vertikal, kurze Ausführung

E/LP - Vertical, short version

A - USB A - E/LP

Cable
assemblies

D-Sub / Hoods
Centronics

Multiflex -
DIN41651

Modular

USB
IEEE1394

Switches

Powercords
Powerlets

DIN41612
Hardmetric

MiniDIN

Sockets / Strips
Jumper

Terminal Blocks

Memory Card

FFC / FPC

USB, Bauform B-Mini, 5polig, DIP
USB, style B-Mini, 5-contacts, DIP

Isolierkörpermaterial

LCP, UL94V-0

Kontaktmaterial

Phosphorbronze

Kontaktfläche

Ni, Au / Sn

Kontaktwiderstand

30mΩ max

Isolationswiderstand

1000MΩ min

Strombelastbarkeit

1A

Betriebstemperatur

-20°C - +85°C

Betriebsspannung

30V

Prüfspannung

750V

Verpackung

Blisterverpackung

Insulator material

LCP, UL94V-0

Contact material

Phosphor bronze

Plating

Ni, Au / Sn

Contact resistance

30mΩ max

Insulation resistance

1000MΩ min

Current rating

1A

Operating temperature

-20°C - +85°C

Operating voltage

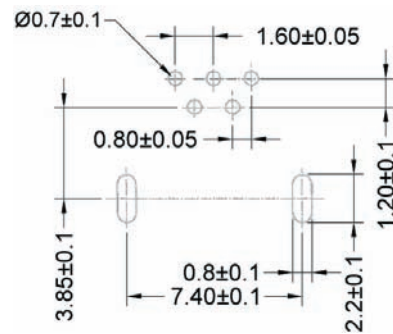
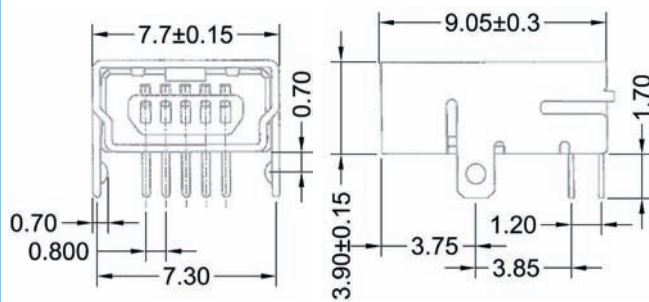
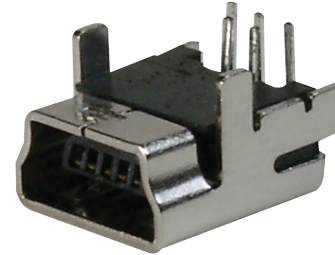
30V

Test voltage

750V

Packing

Tray packing



Bestellcode / Ordercode

B - Bauform B

B - Style B

M5 - Mini, 5polig

M5 - Mini, 5-contacts

A - USB B - M5 - C

Cable assemblies

D-Sub / Hoods Centronics

Multiflex - DIN41651

Modular

USB IEEE 1394

Switches

Powercards Powerinlets

DIN41612 Hardmetric

MiniDIN

Sockets / Strips Jumper

Terminal Blocks

Memory Card

FFC / FPC

Cable
assemblies

D-Sub / Hoods
Centronics

Multiflex -
DIN41651

Modular

USB
IEEE1394

Switches

Powercords
Powerlets

DIN41612
Hardmetric

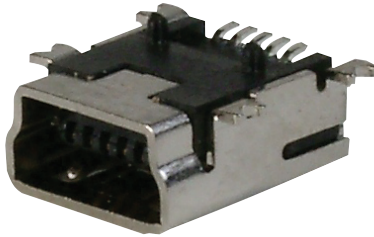
MiniDIN

Sockets / Strips
Jumper

Terminal Blocks

Memory Card

FFC / FPC



Isolierkörpermaterial
LCP, UL94V-0

Kontaktmaterial
Phosphorbronze

Kontaktoberfläche
Ni, Au / Sn

Kontaktwiderstand
30mΩ max

Isolationswiderstand
1000MΩ min

Strombelastbarkeit
1A

Betriebstemperatur
-20°C - +85°C

Betriebsspannung
30V

Prüfspannung
750V

Verpackung
Rollverpackung

Insulator material
LCP UL94V-0

Contact material
Phosphor Bronze

Plating
Ni, Au / Sn

Contact resistance
30mΩ max

Insulation resistance
1000MΩ min

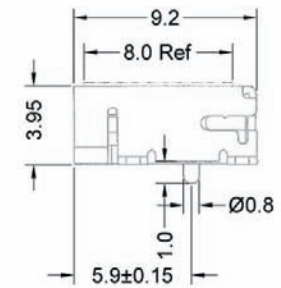
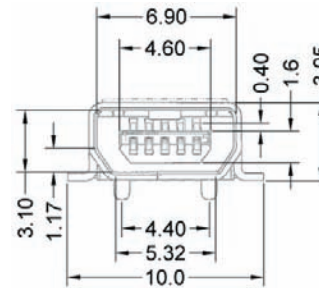
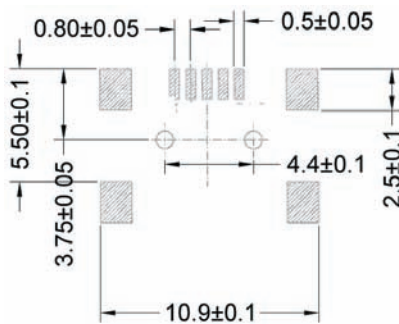
Current rating
1A

Operating temperature
-20°C - +85°C

Operating voltage
30V

Test voltage
750V

Packing
Reel packing



Bestellcode / Ordercode

B - Bauform B

A - Style A

M5 - Mini, 5polig

M5 - Mini, 5-contacts

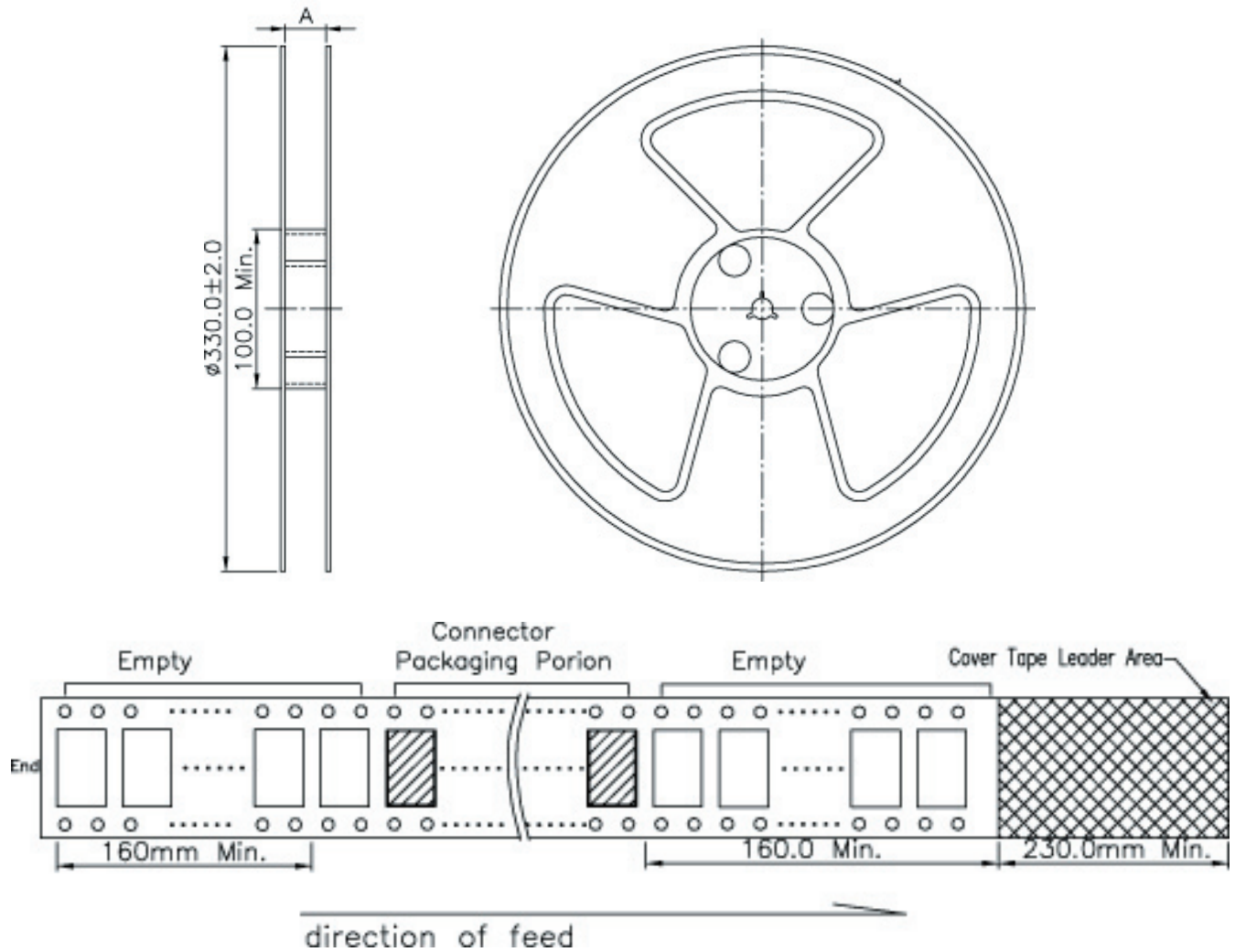
SMT - SMD

SMT - SMD

A - USB B - M5 - SMD - C

Verpackung entspricht
EIA-481-C.

Packing correspond with
EIA-481-C.



No. of contacts	A	Qty per Reel
5	24.5	700

Cable
assemblies

D-Sub / Hoods
Centronics

Multiflex -
DIN41651

Modular

USB
IEEE 1394

Switches

Powercards
Powerinlets

DIN41612
Hardmetric

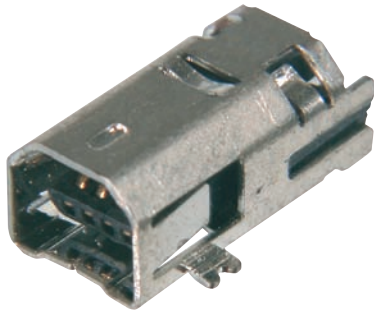
MiniDIN

Sockets / Strips
Jumper

Terminal Blocks

Memory Card

FFC / FPC



Isolierkörpermaterial
LCP, UL94V-0

Kontaktmaterial
Phosphorbronze

Kontaktoberfläche
Ni, Au / Sn

Kontaktwiderstand
30mΩ max

Isolationswiderstand
1000MΩ min

Strombelastbarkeit
1A

Betriebstemperatur
-20°C - +85°C

Betriebsspannung
30V

Prüfspannung
750V

Verpackung
Rollenverpackung

Insulator material
LCP, UL94V-0

Contact material
Phosphor bronze

Plating
Ni, Au / Sn

Contact resistance
30mΩ max

Insulation resistance
1000MΩ min

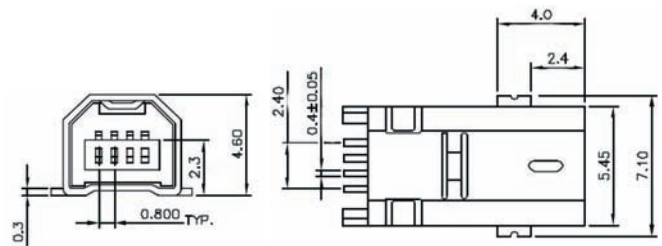
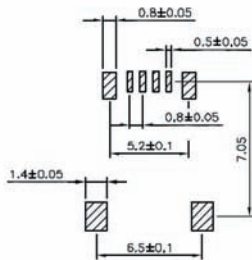
Current rating
1A

Operating temperature
-20°C - +85°C

Operating voltage
30V

Test voltage
750V

Packing
Reel packing



Bestellcode / Ordercode

B - Bauform B

M4 - Mini, 4polig

M - Ausführung M

B - Style B

M4 - Mini, 4-contacts

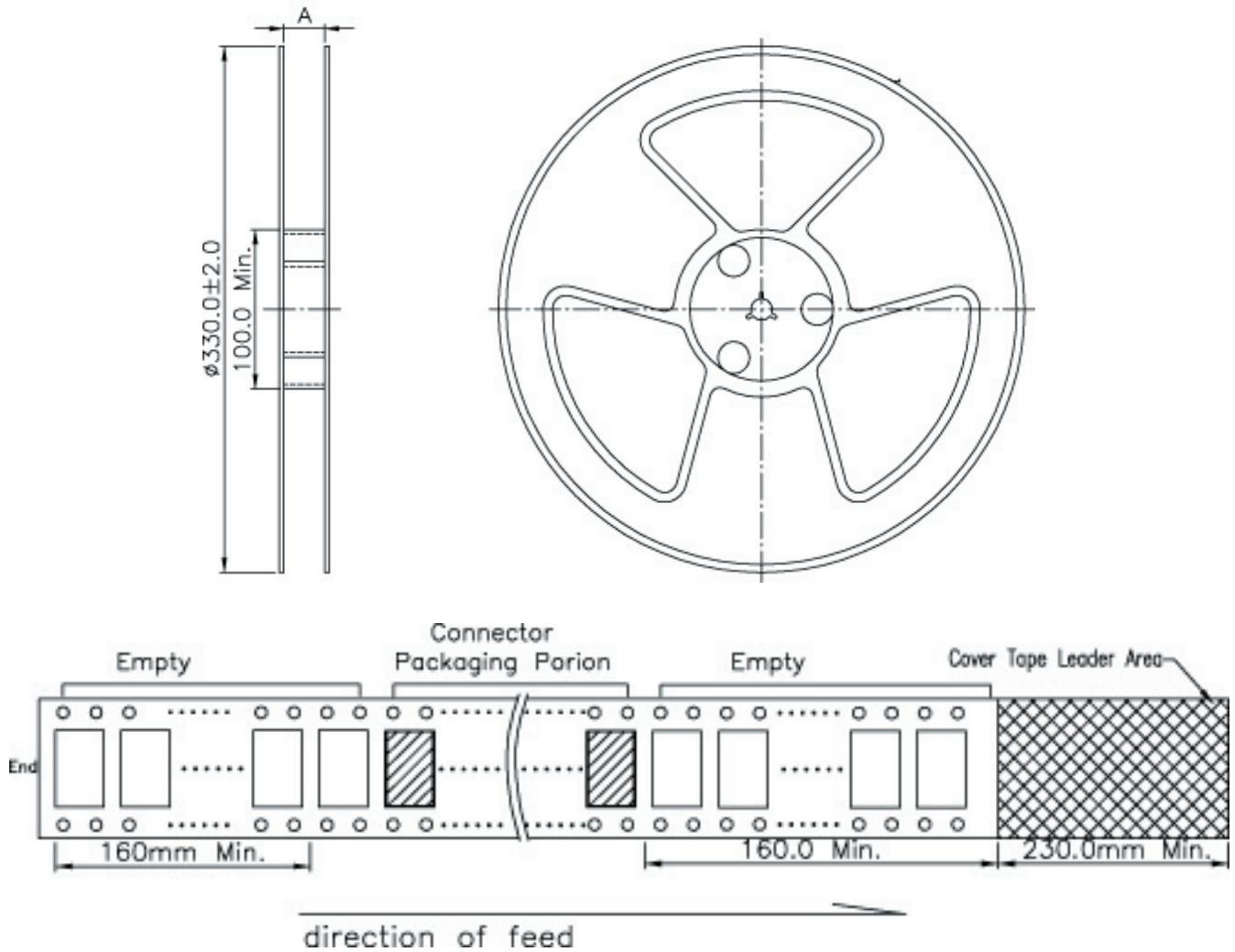
M - Version M

A - USB B - M4 - M - C

- Cable assemblies
- D-Sub / Hoods Centronics
- Multiflex - DIN41651
- Modular
- USB IEEE1394**
- Switches
- Powercords Powerlets
- DIN41612 Hardmetric
- MiniDIN
- Sockets / Strips Jumper
- Terminal Blocks
- Memory Card
- FFC / FPC

Verpackung entspricht
EIA-481-C.

Packing correspond with
EIA-481-C.



No. of contacts	A	Qty per Reel
4	24.5	700

Cable
assemblies

D-Sub / Hoods
Centronics

Multiflex -
DIN41651

Modular

USB
IEEE 1394

Switches

Powercards
Powerinlets

DIN41612
Hardmetric

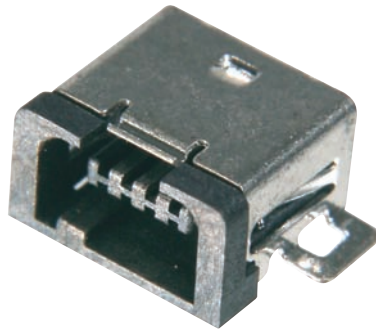
MiniDIN

Sockets / Strips
Jumper

Terminal Blocks

Memory Card

FFC / FPC



Isolierkörpermaterial

LCP, UL94V-0

Kontaktmaterial

Phosphorbronze

Kontaktfläche

Ni, Au / Sn

Kontaktwiderstand

30mΩ max

Isolationswiderstand

1000MΩ min

Strombelastbarkeit

1A

Betriebstemperatur

-20°C - +85°C

Betriebsspannung

30V

Prüfspannung

750V

Verpackung

Rollenverpackung

Insulator material

LCP, UL94V-0

Contact material

Phosphor Bronze

Plating

Ni, Au / Sn

Contact resistance

30mΩ max

Insulation resistance

1000MΩ min

Current rating

1A

Operating temperature

-20°C - +85°C

Operating voltage

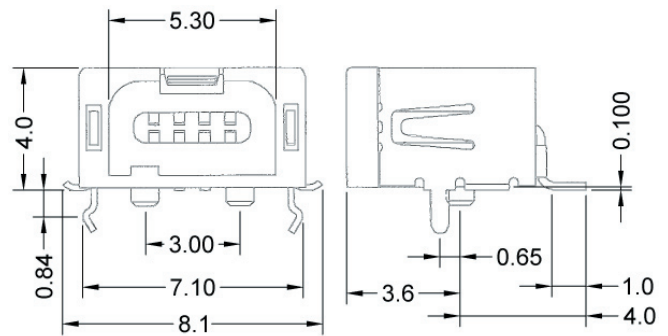
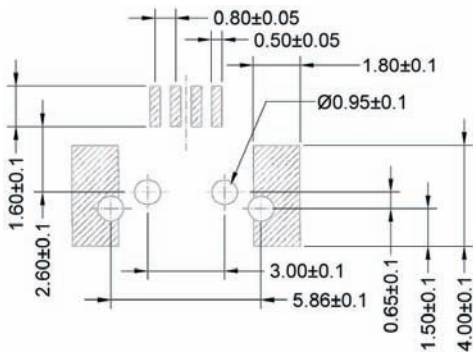
30V

Test voltage

750V

Packing

Reel packing



Bestellcode / Ordercode

B - Bauform B

B - Style B

M4 - Mini, 4polig

M4 - Mini, 4-contacts

H - Ausführung H

H - Version H

A - USB B - M4 H - C

Cable
assemblies

D-Sub / Hoods
Centronics

Multiflex -
DIN41651

Modular

USB
IEEE1394

Switches

Powercords
Powerlets

DIN41612
Hardmetric

MiniDIN

Sockets / Strips
Jumper

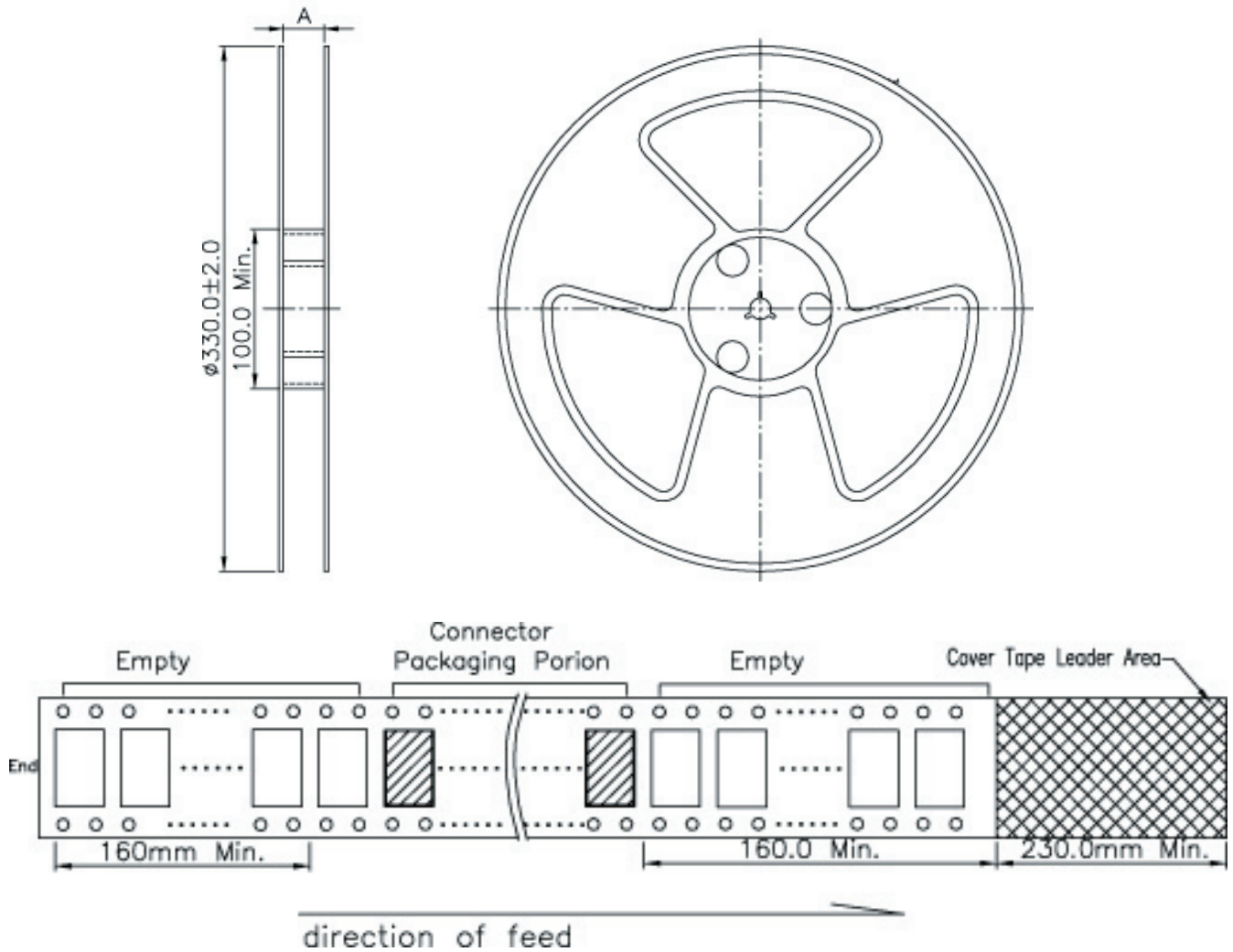
Terminal Blocks

Memory Card

FFC / FPC

Verpackung entspricht
EIA-481-C.

Packing correspond with
EIA-481-C.



No of contacts	A	Qty per Reel
4	24.5	700

Cable
assemblies

D-Sub / Hoods
Centronics

Multiflex -
DIN41651

Modular

USB
IEEE 1394

Switches

Powercards
Powerinlets

DIN41612
Hardmetric

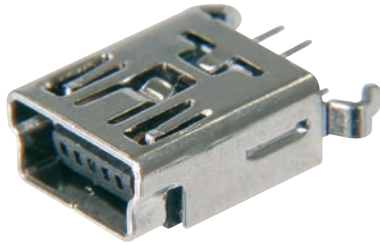
MiniDIN

Sockets / Strips
Jumper

Terminal Blocks

Memory Card

FFC / FPC



Isolierkörpermaterial
PBT, UL94V-0

Kontaktmaterial
Phosphorbronze

Kontaktfläche
Ni, Au / Sn

Kontaktwiderstand
30mΩ max

Isolationswiderstand
1000MΩ min

Strombelastbarkeit
1A

Betriebstemperatur
-20°C - +85°C

Betriebsspannung
30V

Prüfspannung
750V

Verpackung
Blisterverpackung

Insulator material
PBT, UL94V-0

Contact material
Phosphor bronze

Plating
Ni, Au / Sn

Contact resistance
30mΩ max

Insulation resistance
1000MΩ min

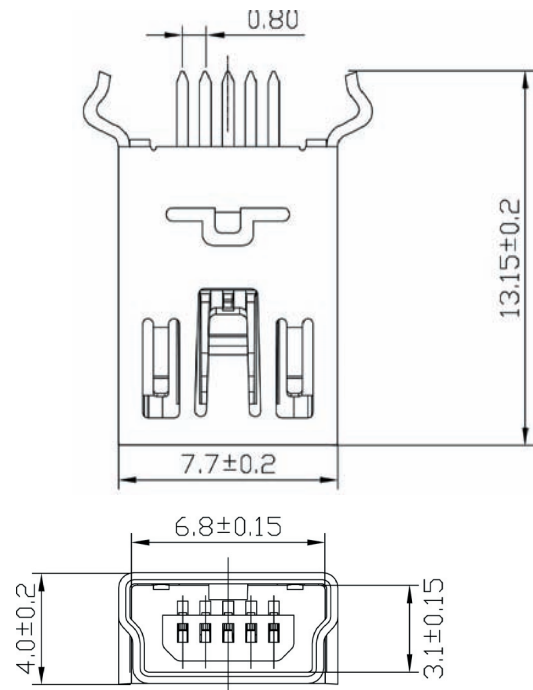
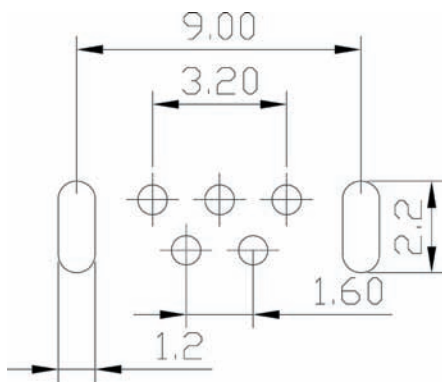
Current rating
1A

Operating temperature
-20°C - +85°C

Operating voltage
30V

Test voltage
750V

Packing
Tray packing



Bestellcode / Ordercode

B - Bauform B

B - Style B

M5 - Mini, 5polig

M5 - Mini, 5-contacts

TOP - Top entry (180°)

TOP - Top entry (180°)

A - USB B - M5 - TOP

Cable assemblies

D-Sub / Hoods Centronics

Multiflex - DIN41651

Modular

USB IEEE1394

Switches

Powercords Powerlets

DIN41612 Hardmetric

MiniDIN

Sockets / Strips Jumper

Terminal Blocks

Memory Card

FPC / FPC

Isolierkörpermaterial

PBT, UL94V-0

Kontaktmaterial

Messing

Kontaktfläche

Ni, Au / Sn

Kontaktwiderstand

30mΩ max

Isolationswiderstand

1000MΩ min

Strombelastbarkeit

1A

Betriebstemperatur

-20°C - +85°C

Betriebsspannung

30V

Prüfspannung

750V

Verpackung

Kunststoffbeutelverpackung

Insulator material

PBT, UL94V-0

Contact material

Brass

Plating

Ni, Au / Sn

Contact resistance

30mΩ max

Insulation resistance

1000MΩ min

Current rating

1A

Operating temperature

-20°C - +85°C

Operating voltage

30V

Test voltage

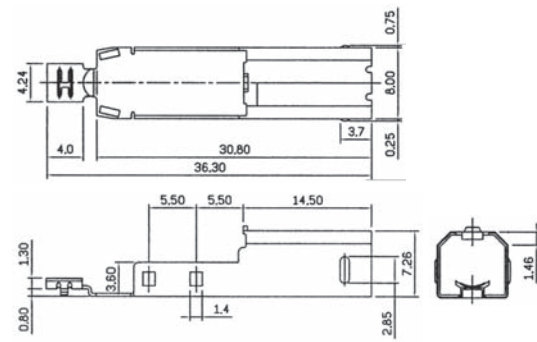
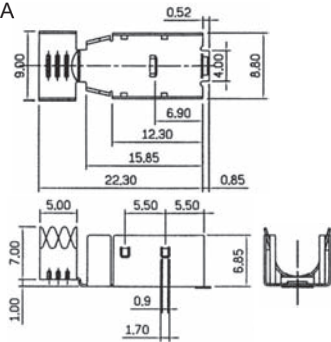
750V

Packing

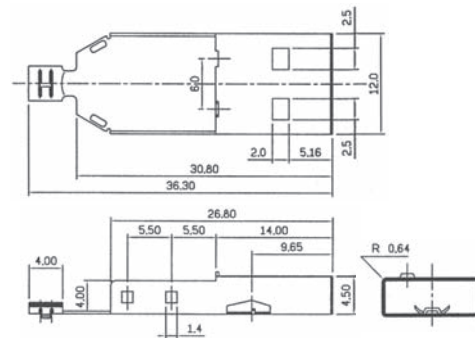
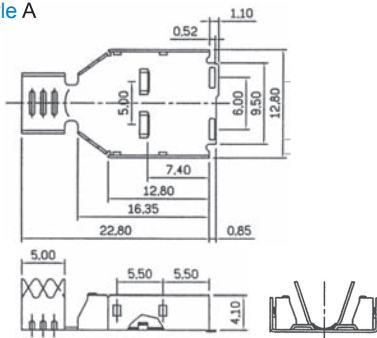
Polybag packing



Bauform / Style A



Bauform / Style A



Bestellcode / Ordercode

Ausführung

- A - Bauform A
- B - Bauform B

Version

- A - Style A
- B - Style B

A - USBP - x - N

Bitte „x“ durch die geeignete Option ersetzen
 Please replace „x“ with appropriate option

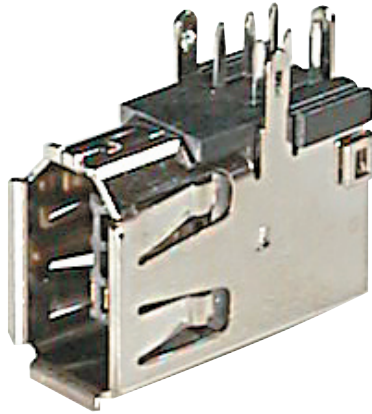
Hauben für USB-Konfektions-Version / Hoods for USB-Assembly-Type

A-USBPA-HOOD-N (Style A)

A-USBPB-HOOD-N (Style B)



- Cable assemblies
- D-Sub / Hoods Centronics
- Multiflex - DIN41651
- Modular
- USB IEEE 1394
- Switches
- Powercords Powerinlets
- DIN41612 Hardmetric
- MiniDIN
- Sockets / Strips Jumper
- Terminal Blocks
- Memory Card
- FFC / FPC



Isolierkörpermaterial
PBT, UL94V-0

Kontaktmaterial
Messing

Kontaktfläche
Ni, Au / Sn

Kontaktwiderstand
30mΩ max

Isolationswiderstand
1000MΩ min

Strombelastbarkeit
1A

Betriebstemperatur
-20°C - +85°C

Betriebsspannung
30V

Prüfspannung
750V

Verpackung
Blisterverpackung

Insulator material
PBT, UL94V-0

Contact material
Brass

Plating
Ni, Au / Sn

Contact resistance
30mΩ max

Insulation resistance
1000MΩ min

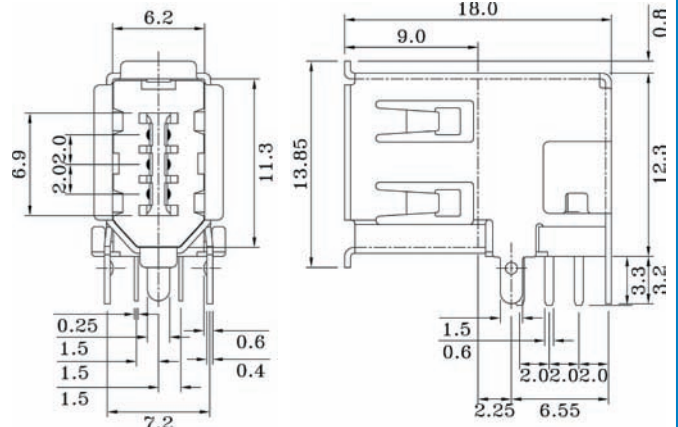
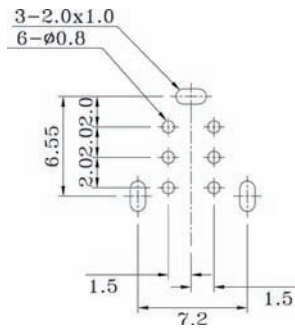
Current rating
1A

Operating temperature
-20°C - +85°C

Operating voltage
30V

Test voltage
750V

Packing
Tray packing



Bestellcode / Ordercode

IEE - IEEE1394,
Vertikale Ausführung

IEE - IEEE1394,
vertical version

A - IEE - DIP

Cable
assemblies

D-Sub / Hoods
Centronics

Multiflex -
DIN41651

Modular

USB
IEEE1394

Switches

Powercords
Powerlets

DIN41612
Hardmetric

MiniDIN

Sockets / Strips
Jumper

Terminal Blocks

Memory Card

FFC / FPC

Isolierkörpermaterial
 PBT, UL94V-0

Kontaktmaterial
 Phosphorbronze

Kontaktfläche
 Ni, Au / Sn

Kontaktwiderstand
 30mΩ max

Isolationswiderstand
 1000MΩ min

Strombelastbarkeit
 1A

Betriebstemperatur
 -20°C - +85°C

Betriebsspannung
 30V

Prüfspannung
 750V

Verpackung
 Blisterverpackung

Insulator material
 PBT, UL94V-0

Contact material
 Phosphor bronze

Plating
 Ni, Au / Sn

Contact resistance
 30mΩ max

Insulation resistance
 1000MΩ min

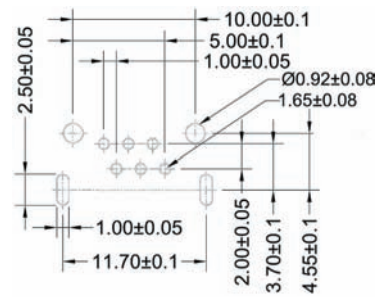
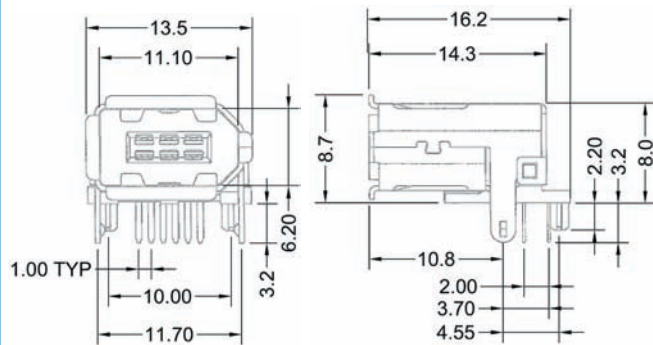
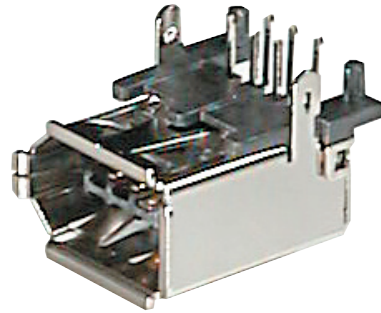
Current rating
 1A

Operating temperature
 -20°C - +85°C

Operating voltage
 30V

Test voltage
 750V

Packing
 Tray packing



Bestellcode / Ordercode

IES - IEEE1394,
 Horizontale Ausführung

IEE - IEEE1394,
 horizontal version

A - IES - DIP - C

- Cable assemblies
- D-Sub / Hoods Centronics
- Multiflex - DIN41651
- Modular
- USB IEEE 1394
- Switches
- Powercords Powerinlets
- DIN41612 Hardmetric
- MiniDIN
- Sockets / Strips Jumper
- Terminal Blocks
- Memory Card
- FFC / FPC



Isolierkörpermaterial
PBT, UL94V-0

Kontaktmaterial
Messing

Kontaktoberfläche
Ni, Au / Sn

Kontaktwiderstand
30mΩ max

Isolationswiderstand
1000MΩ min

Strombelastbarkeit
1A

Betriebstemperatur
-55°C - +105°C

Betriebsspannung
30V

Prüfspannung
500V

Verpackung
Blisterverpackung

Insulator material
PBT, UL94V-0

Contact material
Brass

Plating
Ni, Au / Sn

Contact resistance
30mΩ max

Insulation resistance
1000MΩ min

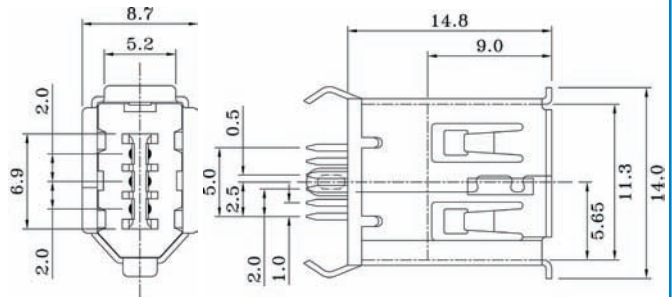
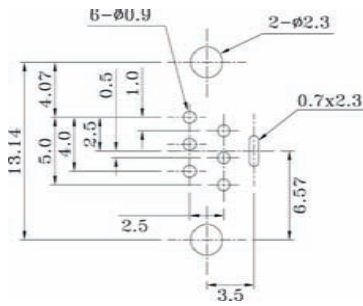
Current rating
1A

Operating temperature
-55°C - +105°C

Operating voltage
30V

Test voltage
500V

Packing
Tray packing



Bestellcode / Ordercode

TOP - Top entry (180°)

TOP - Top entry (180°)

A - IEE - TOP

Cable assemblies

D-Sub / Hoods Centronics

Multiflex - DIN41651

Modular

USB IEEE1394

Switches

Powercords Powerlets

DIN41612 Hardmetric

MiniDIN

Sockets / Strips Jumper

Terminal Blocks

Memory Card

FFC / FPC

Isolierkörpermaterial

PA9T, UL94V-0

Kontaktmaterial

Phosphorbronze

Kontaktfläche

Ni, Au / Sn

Kontaktwiderstand

30mΩ max

Isolationswiderstand

1000MΩ min

Strombelastbarkeit

1A

Betriebstemperatur

-55°C - +105°C

Betriebsspannung

30V

Prüfspannung

500V

Verpackung

Blisterverpackung

Insulator material

PA9T, UL94V-0

Contact material

Phosphor bronze

Plating

Ni, Au / Sn

Contact resistance

30mΩ max

Insulation resistance

1000MΩ min

Current rating

1A

Operating temperature

-55°C - +105°C

Operating voltage

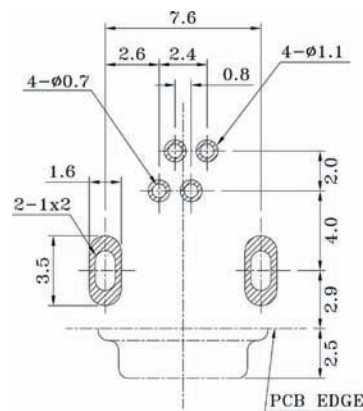
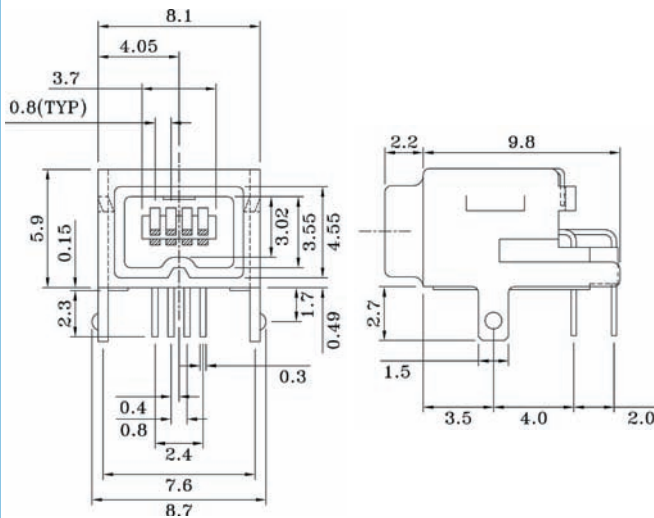
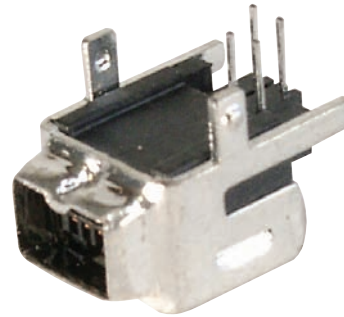
30V

Test voltage

500V

Packing

Tray packing



Bestellcode / Ordercode

M4P - Mini, 4polig

M4P - Mini, 4-contacts

A - IEE - M4P

Cable assemblies

D-Sub / Hoods Centronics

Multiflex - DIN41651

Modular

USB IEEE 1394

Switches

Powercords Powerinlets

DIN41612 Hardmetric

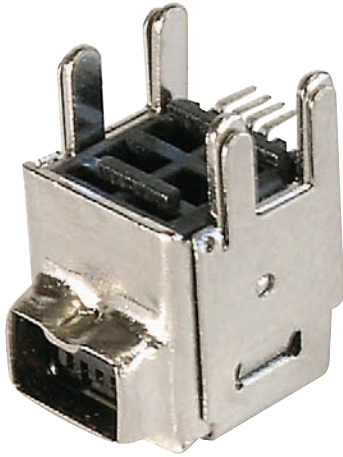
MiniDIN

Sockets / Strips Jumper

Terminal Blocks

Memory Card

FFC / FPC



Isolierkörpermaterial
PA9T, UL94V-0

Kontaktmaterial
Phosphorbronze

Kontaktoberfläche
Ni, Au / Sn

Kontaktwiderstand
30mΩ max

Isolationswiderstand
1000MΩ min

Strombelastbarkeit
1A

Betriebstemperatur
-55°C - +105°C

Betriebsspannung
30V

Prüfspannung
500V

Verpackung
Blisterverpackung

Insulator material
PA9T, UL94V-0

Contact material
Phosphor bronze

Plating
Ni, Au / Sn

Contact resistance
30mΩ max

Insulation resistance
1000MΩ min

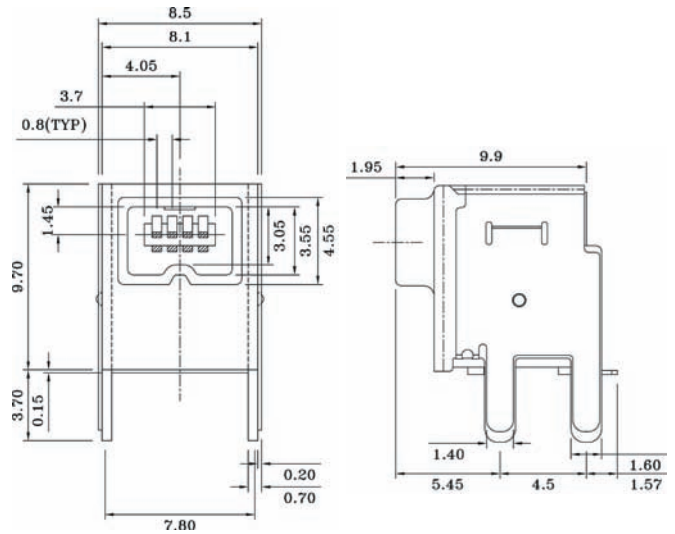
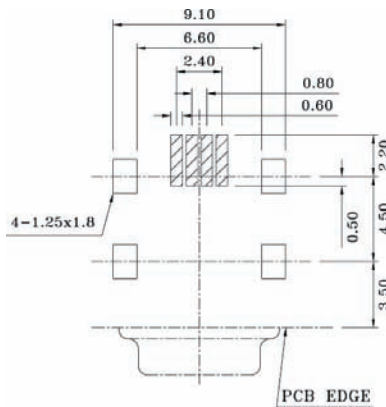
Current rating
1A

Operating temperature
-55°C - +105°C

Operating voltage
30V

Test voltage
500V

Packing
Tray packing



Bestellcode / Ordercode

M4P - Mini, 4polig

M4P - Mini, 4-contacts

SMD - SMD

SMD - SMD

A - IEE - M4P - SMD

Cable
assemblies

D-Sub / Hoods
Centronics

Multiflex -
DIN41651

Modular

USB
IEEE1394

Switches

Powercords
Powerlets

DIN41612
Hardmetric

MiniDIN

Sockets / Strips
Jumper

Terminal Blocks

Memory Card

FFC / FPC

Isolierkörpermaterial

PA9T, UL94V-0

Kontaktmaterial

Phosphorbronze

Kontaktoberfläche

Ni, Au / Sn

Kontaktwiderstand

30mΩ max

Isolationswiderstand

1000MΩ min

Strombelastbarkeit

1A

Betriebstemperatur

-55°C - +105°C

Betriebsspannung

30V

Prüfspannung

500V

Verpackung

Blisterverpackung

Insulator material

PA9T, UL94V-0

Contact material

Phosphor bronze

Plating

Ni, Au / Sn

Contact resistance

30mΩ max

Insulation resistance

1000MΩ min

Current rating

1A

Operating temperature

-55°C - +105°C

Operating voltage

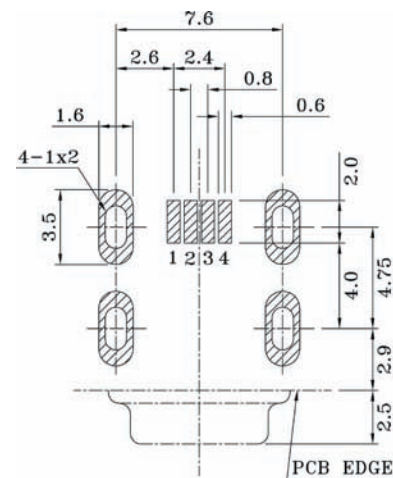
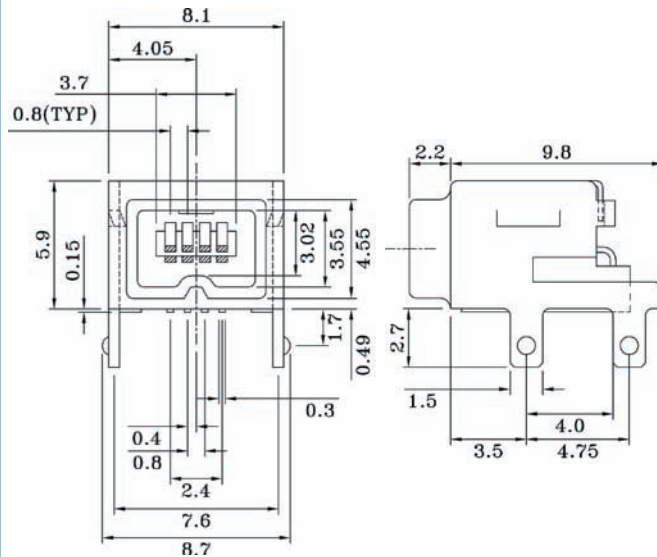
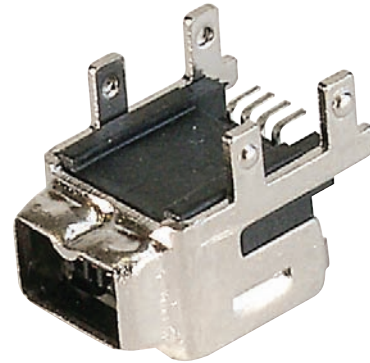
30V

Test voltage

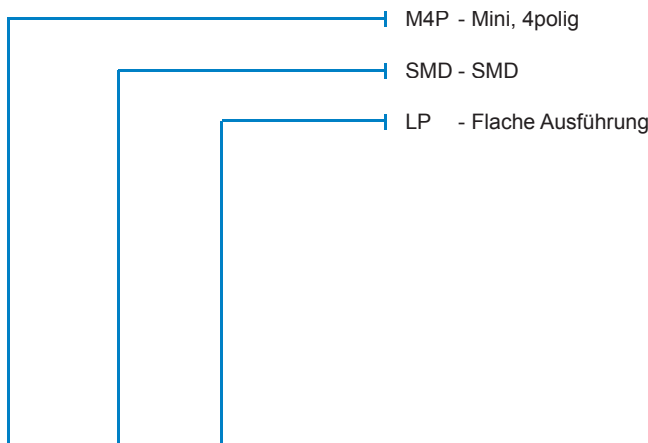
500V

Packing

Tray packing



Bestellcode / Ordercode



M4P - Mini, 4-contacts

SMD - SMD

LP - Flat version

A - IEE - M4P - SMD - LP

Cable assemblies

D-Sub / Hoods Centronics

Multiflex - DIN41651

Modular

USB IEEE 1394

Switches

Powercords Powermetrics

DIN41612 Hardmetric

MiniDIN

Sockets / Strips Jumper

Terminal Blocks

Memory Card

FFC / FPC

- Cable Assemblies
- D-Sub / Hoods Centronics
- Multiflex - DIN41651
- Modular
- USB IEEE1394**
- Switches
- Powercords Powerlets
- DIN41612 Hardmetric
- MiniDIN
- Sockets / Strips Jumper
- Terminal Blocks
- Memory Card
- FFC / FPC



Isolierkörpermaterial
PA9T, UL94V-0

Kontaktmaterial
Phosphorbronze

Kontaktoberfläche
Ni, Au / Sn

Kontaktwiderstand
30mΩ max

Isolationswiderstand
1000MΩ min

Strombelastbarkeit
1A

Betriebstemperatur
-20°C - +85°C

Betriebsspannung
30V

Prüfspannung
500V

Verpackung
Kunststoffbeutelverpackung

Insulator material
PA9T, UL94V-0

Contact material
Phosphor bronze

Plating
Ni, Au / Sn

Contact resistance
30mΩ max

Insulation resistance
1000MΩ min

Current rating
1A

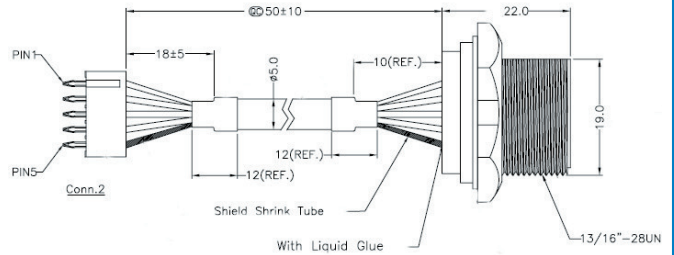
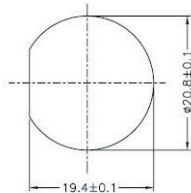
Operating temperature
-20°C - +85°C

Operating voltage
30V

Test voltage
500V

Packing
Polybag packing

Terminal Layout			
Conn.2			Conn.1
1	Red	AWG24	1
2	White	AWG28	2
3	Green	AWG28	3
4	Black	AWG24	4
5	Drain	AWG28	Shell



Bestellcode / Ordercode

A - USB - APFS

Isolierkörpermaterial

PA9T, UL94V-0

Kontaktmaterial

Messing

Kontaktfläche

Ni, Au / Sn

Kontaktwiderstand

30mΩ max

Isolationswiderstand

1000MΩ min

Strombelastbarkeit

1A

Betriebstemperatur

-20°C - +85°C

Betriebsspannung

30V

Prüfspannung

500V

Verpackung

Kunststoffbeutelverpackung

Insulator material

PA9T, UL94V-0

Contact material

Brass

Plating

Ni, Au / Sn

Contact resistance

30mΩ max

Insulation resistance

1000MΩ min

Current rating

1A

Operating temperature

-20°C - +85°C

Operating voltage

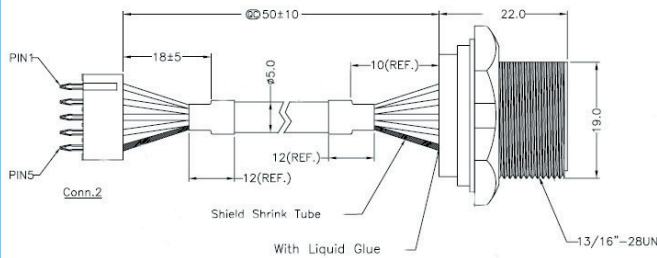
30V

Test voltage

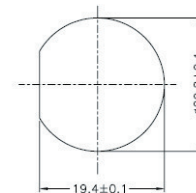
500V

Packing

Polybag packing



Terminal Layout			
Conn.2			Conn.1
1	Red	AWG24	1
2	White	AWG28	2
3	Green	AWG28	3
4	Black	AWG24	4
5	Drain	AWG28	Shell



Bestellcode / Ordercode

A - USB - BPFS

Cable assemblies

D-Sub / Hoods Centronics

Multiflex - DIN41651

Modular

USB IEEE 1394

Switches

Powercords Powerinlets

DIN41612 Hardmetric

MiniDIN

Sockets / Strips Jumper

Terminal Blocks

Memory Card

FFC / FPC

Cable assemblies

D-Sub / Hoods Centronics

Multiflex - DIN41651

Modular

USB IEEE1394

Switches

Powercords Powerlets

DIN41612 Hardmetric

MiniDIN

Sockets / Strips Jumper

Terminal Blocks

Memory Card

FFC / FPC

Neben Standardkabeln fertigen wir Kabelkonfektionen speziell nach Kundenspezifikation.

Ein äußerst flexibles und kostengünstiges System von automatischer und manueller Fertigung bietet Ihnen

- wettbewerbsfähige Preise
- hohe Qualität mit 100% elektrischer Prüfung und Zertifizierung auf Wunsch
- Bedruckung von Kabel und Steckern

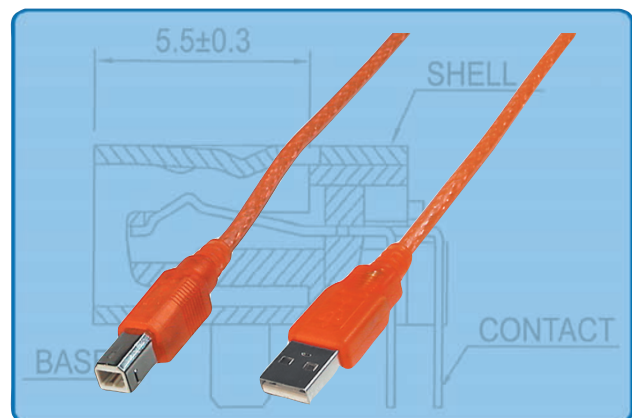
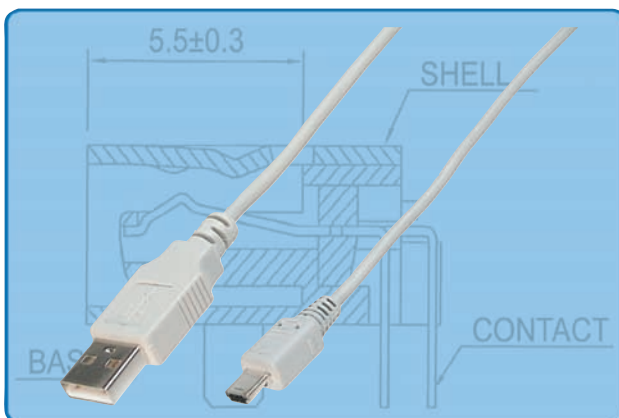
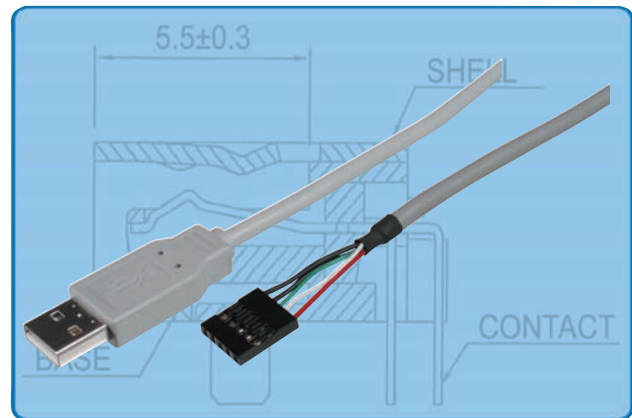
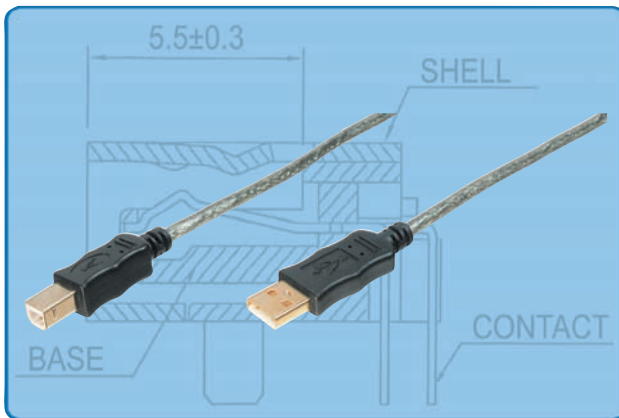
Senden Sie uns Ihre Anfrage.

Apart from standard cables, special cables can be assembled according to customers specification.

An extremely flexible and cost-effective system of automatic and manual production offers you

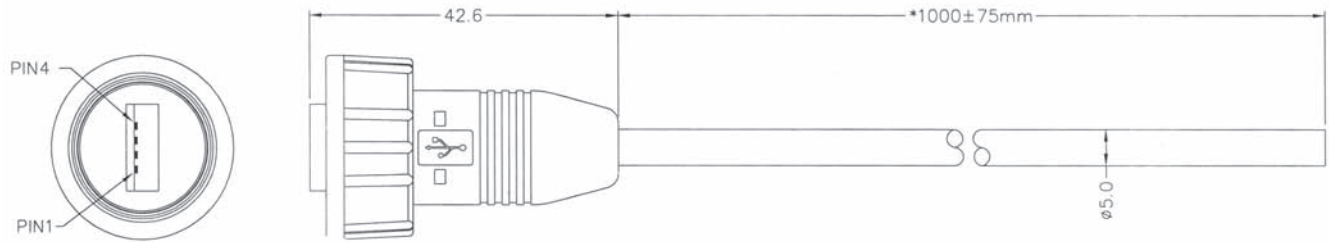
- competitive pricing
- high quality with 100% electrical testing and certification on request
- printing on cables and connectors

Please send your enquiry

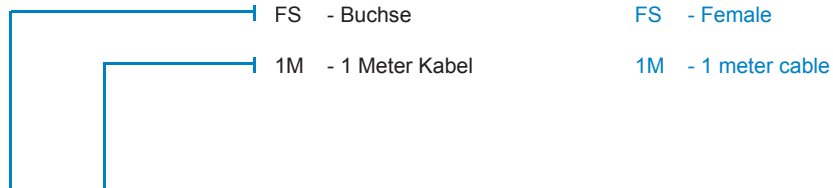


USB, Bauform A, Stecker + Buchse, Konfektioniert mit Kabel 1m, IP67
USB, style A, male + female, assembled with cable 1m, IP67

Shield	Drain		
4	BLACK (24AWG)	Twist	Twist
3	GREEN (28AWG)		
2	WHITE (28AWG)		
1	RED (24AWG)		
Conn	Wire Color		
Pin Out			

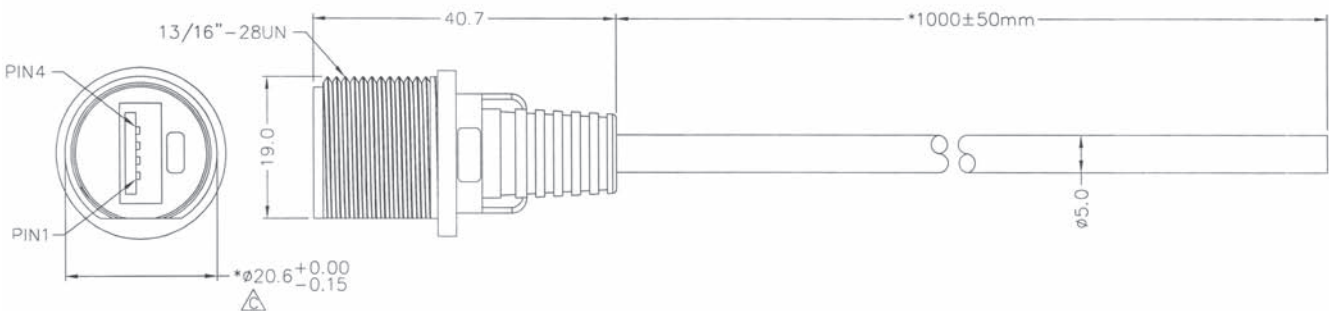


Bestellcode / Ordercode

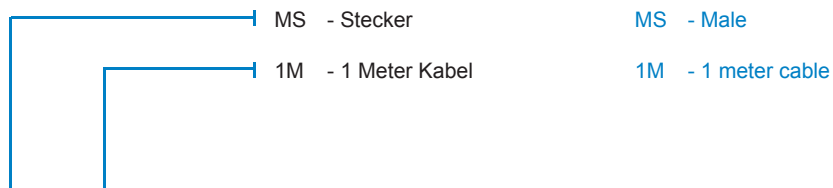


A - KAB - USBA - FS - 1M

Shield	Drain		
4	BLACK (24AWG)	Twist	Twist
3	GREEN (28AWG)		
2	WHITE (28AWG)		
1	RED (24AWG)		
Conn	Wire Color		
Pin Out			



Bestellcode / Ordercode



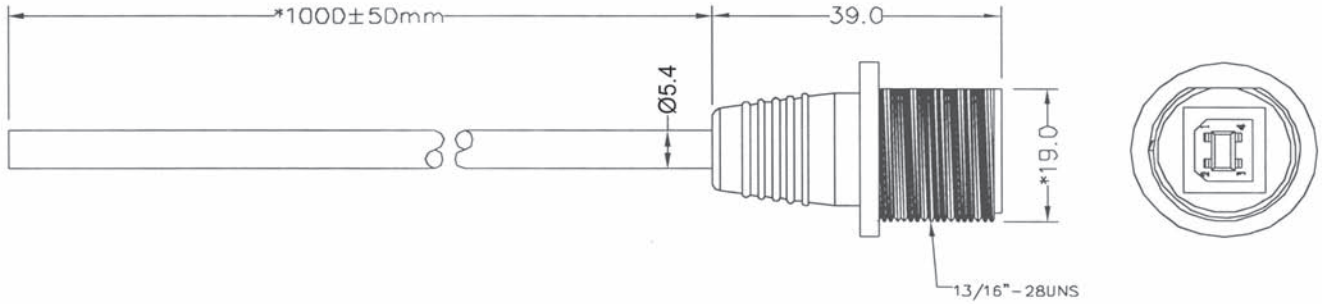
A - KAB - USBA - MS - 1M

- Cable assemblies
- D-Sub / Hoods Centronics
- Multiflex - DIN41691
- Modular
- USB IEEE 1394
- Switches
- Powercards Powerinlets
- DIN41612 Hardmetric
- MiniDIN
- Sockets / Strips Jumper
- Terminal Blocks
- Memory Card
- FFC / FPC

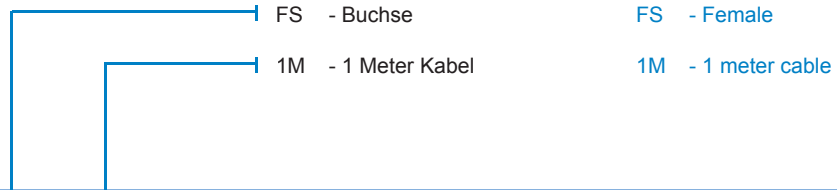
- Cable assemblies
- D-Sub / Hoods Centronics
- Multiflex - DIN41651
- Modular
- USB IEEE1394
- Switches
- Powercords Powerlets
- DIN41612 Hardmetric
- MiniDIN
- Sockets / Strips Jumper
- Terminal Blocks
- Memory Card
- FFC / FPC



Shield	Drain		
4	BLACK (24AWG)	Twist	Twist
3	GREEN (28AWG)		
2	WHITE (28AWG)		
1	RED (24AWG)		
Conn	Wire Color		
Pin Out			



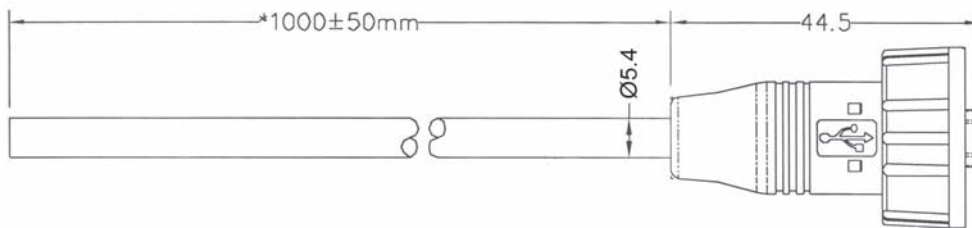
Bestellcode / Ordercode



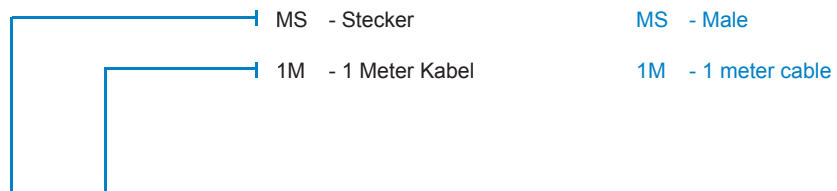
A - KAB - USBB - FS - 1M



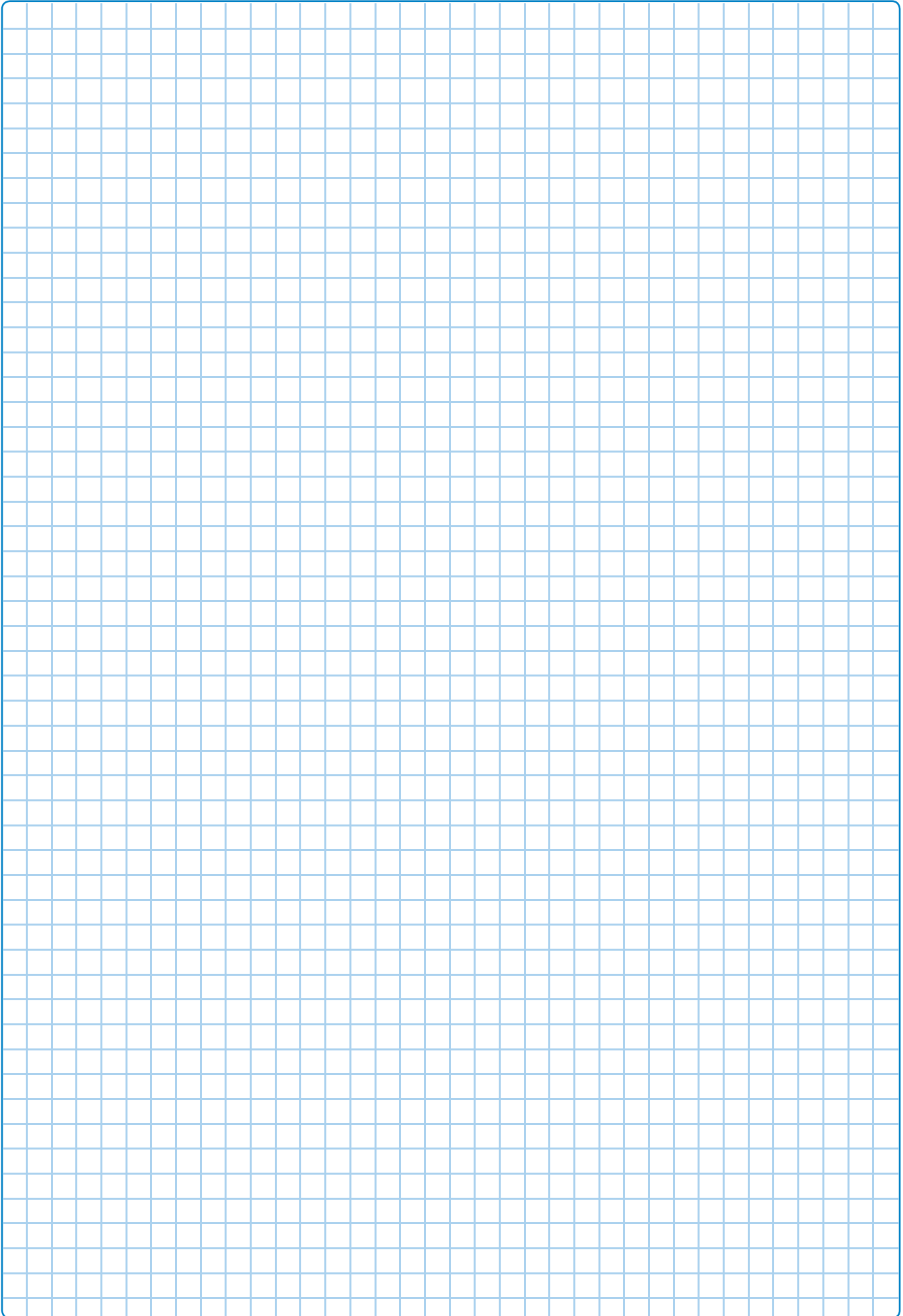
Shield	Drain		
4	BLACK (24AWG)	Twist	Twist
3	GREEN (28AWG)		
2	WHITE (28AWG)		
1	RED (24AWG)		
Conn	Wire Color		
Pin Out			



Bestellcode / Ordercode



A - KAB - USBB - MS - 1M



FFC / FPC

Memory Card

Terminal Blocks

Sockets / Strips
Jumper

MiniDIN

DIN41612
Hardmetric

Powercords
Powerinlets

Switches

USB
IEEE 1394

Modular

Multiflex -
DIN41651

D-Sub / Hoods
Centronics

Cable
assemblies