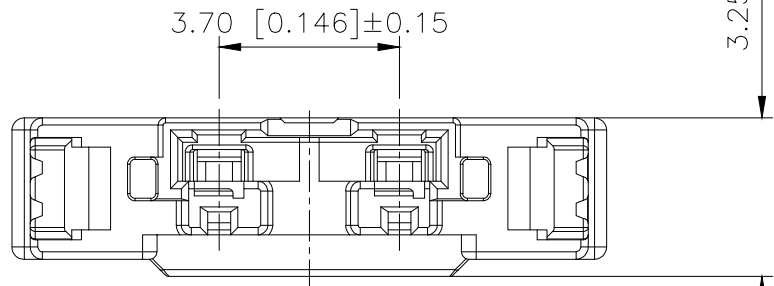
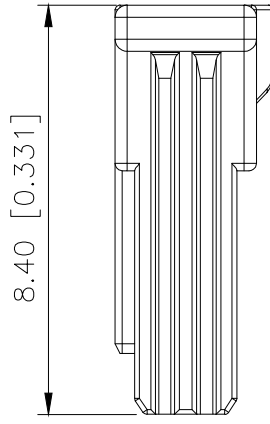
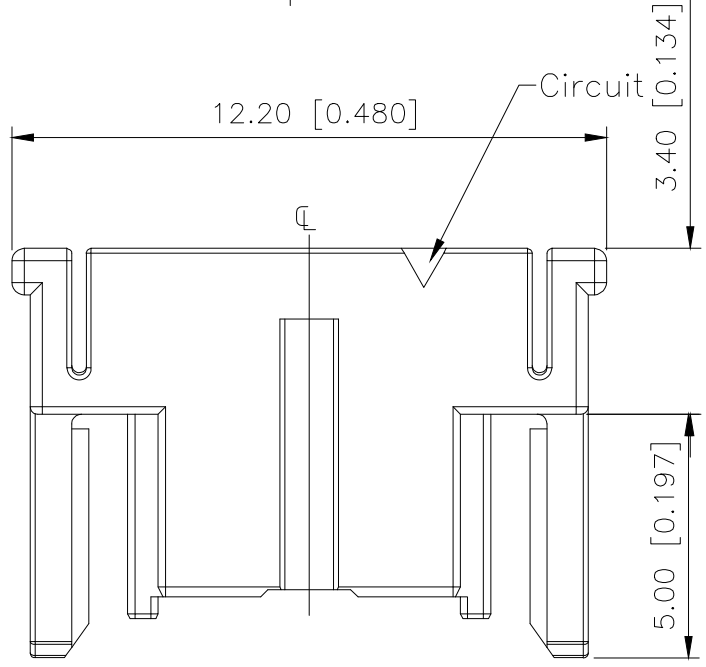
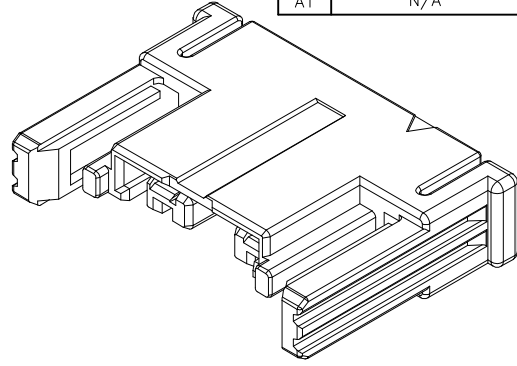
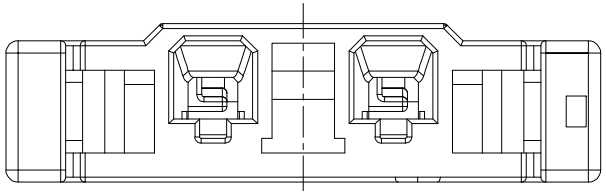


REVISIONS					
REV.	ECN NO.	LOCATION	DESCRIPTION	DATE	DESIGN
A0	N/A		INITIAL RELEASE	/	/
A1	N/A		图面升级整理图面	2025.2.28	阿树



Specifications(规格):  
 Voltage rating(额定电压):500V AC/DC  
 Current rating(额定电流):2A AC/DC  
 Withstanding voltage(耐压值):1500V AC/minute  
 Temperature range(工作温度):-40°C~+85°C  
 Insulation resistance(绝缘电阻):1000MΩ  
 Contact resistance(接触电阻):<30mΩ  
 After environmental testing(环境测试后):<40mΩ

PART NO.:

X3700 H-02-PT  
 ① ② ③ ④

- ①Series No
- ②Category:H-HSG
- ③Category:F-Female Housing
- ④Row No.Pin No:XX-02
- ⑤Plug the Pin &Special No.:A-No Lock
- ⑥Material:PA66 UL 94V-0

X3700H-02-PT	PA66 UL94V-0	X3700T	X3700W
PART NO	Material	Suitable XKB Terminal	Suitable XKB Wafer

AuGLAR	±5°
X.	±0.40
X.x	±0.30
X.xx	±0.20
X.xxx	±0.15
UNSPECIFIED TOLERANCES	



DESIGN	阿树	VIEW:		MODEL TYPE: 3.70mm BTB Style Connectors
CHECKED		UNIT:	mm/in	PART NO.: X3700H-02-PT
APPROVED		SIZE:	A4	DWG NO.: