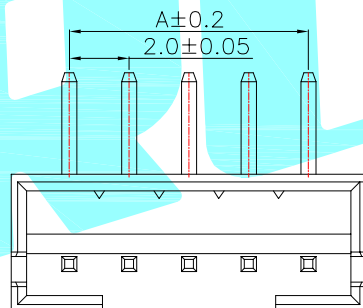
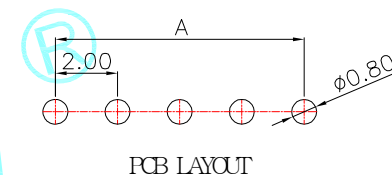
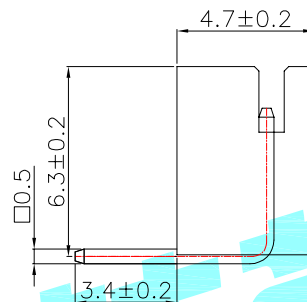
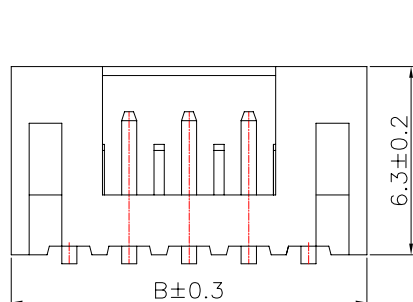


Poles	PART NO	DIM A	DIM B
2	PH-2AW	2.0	6.1
3	PH-3AW	4.0	8.1
4	PH-4AW	6.0	10.1
5	PH-5AW	8.0	12.1
6	PH-6AW	10.0	14.1
7	PH-7AW	12.0	16.1
8	PH-8AW	14.0	18.1
9	PH-9AW	16.0	20.1
10	PH-10AW	18.0	22.1
11	PH-11AW	20.0	24.1
12	PH-12AW	22.0	26.1
13	PH-13AW	24.0	28.1
14	PH-14AW	26.0	30.1
15	PH-15AW	28.0	32.1
16	PH-16AW	30.0	34.1



- 1.Pin pitch: 2.0
- 2.Rated voltage: 250V DC/AC
- 3.Contact resistance: $\leq 20m\Omega$
- 4.Insulation resistance: $\geq 1000M\Omega$
- 5.Operating temperature: $-25^{\circ}C \sim +85^{\circ}C$

②	PIN	—	—	Brass	Sn Plated	—
①	Base	—	1	PA66	Natural	—
ITEM	PART NAME	TER'NO.	QTY.	MATERIAL	FINISHING	REMARK
APPROVALS			DATE	 ELECTRONICS CO.,LTD		
DRAWN	LIUCAN	2021.10.22				
CHECKED				TITLE: Bar Connector Series		
APPROVALS				PART NO. PH-nAW		
TOLERANCES ARE		30~以上	±0.30	ANGLE	UNIT: mm	SCALE: 1:1
		10~30	±0.20	±2°	DRAWING NO.	PROJ:
		5~10	±0.15			
		~ 5	±0.10	SHEET 1 OF 1		

ECN NO.	REV.	DATE.	DESCRIPTION.	CHANGE.	CHECK.	APPRO.
—	A	—	NEW	—	—	—