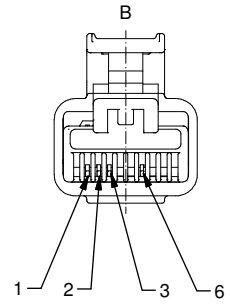
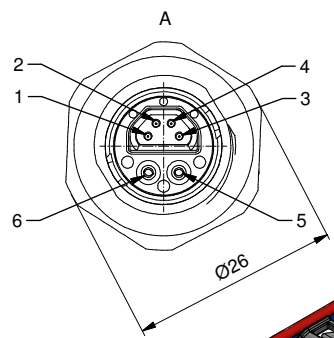
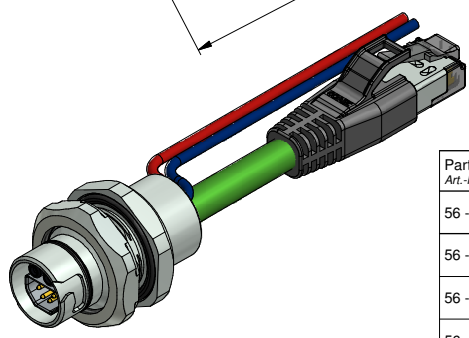


Technical specification: <i>Technische Daten:</i>	Data-element: <i>Daten-Element:</i>	Power-element: <i>Leistungs-Element:</i>
No. of contacts/ <i>Anzahl Kontakte:</i>	4	2
Rated Voltage/ <i>Bemessungsspannung:</i>	24 V DC	60 V DC
Rated impulse voltage/ <i>Bemessungstoßspannung:</i>	1 kV	1,5 kV
Current rating/ <i>Strombelastbarkeit:</i>	1,5 A / 30°C	10 A / 30°C
Contact resistance/ <i>Kontaktwiderstand:</i>	<10 mOhm	
IEC 60512		
Insulation resistance/ <i>Isolationswiderstand:</i>	>100 MOhm	
IEC 60512		
Impedance/ <i>Impedanz:</i>	100 Ohm	
Transmission according to/ <i>Übertragung geprüft nach:</i>	IEC 11801 "Class D"	
Degree of protection/ <i>Schutzart:</i>	IP 67, in mated condition/ <i>im verschraubten Zustand</i>	
IEC 60529		
Pollution degree/ <i>Verschmutzungsgrad:</i>	3/2	
IEC 60664-1		
Temperatur range/ <i>Umgebungstemperatur:</i>		
static / fest verlegt	-30°C ... +80°C	
flexible / bewegt	-10°C ... +70°C	
Mating cycles/ <i>Steckzyklen:</i>	>=100	
IEC 60512-9a		
Materials/ <i>Werkstoffe:</i>	Flange/ <i>Flansch:</i>	
Contact/ <i>Kontakt:</i>	Cu alloy, Ni b / Au 0,2 gal./ <i>Kupferlegierung, Ni b / Au 0,2 gal.</i>	
Contact carrier/ <i>Kontaktträger:</i>	PA, UL 94 V-0	
Sealing/ <i>Dichtung:</i>	NBR	
Counter nut/ <i>Kontermutter:</i>	CuZn, Ni	
Socket housing/ <i>Flanschgehäuse:</i>	CuZn, Ni	
Sealing Compound/ <i>Verguss:</i>	Polyurethane-resin, UL 94 <i>Polyurethan-Harz, UL 94</i>	
Materials/ <i>Werkstoffe:</i>	RJ45:	
Contact/ <i>Kontakt:</i>	CuZn, Ni / Au 0,3 gal.	
Contact carrier/ <i>Kontaktträger:</i>	PC, UL 94 V-0	
Shield/ <i>Schirm</i>	CuZn, Ni	
Moulding body/ <i>Umspritzung:</i>	TPU, UL 94 black / schwarz	
Installation specification/ <i>Montagedaten:</i>	B12:	
Recommended torque/ <i>empfohlenes Drehmoment:</i>	1,5 Nm	
Conec <i>Installation tool/</i> <i>Montagewerkzeug:</i>	Torque wrench/ <i>Drehmomentschlüssel:</i> 36-000200 Insert across flats 24/ <i>Steckeinsatz SW24:</i> 36-000560	
Installation hole/ <i>Montagelöcher:</i>	see Fig.1 56K1A9999/ <i>siehe Abb.1 56K1A9999</i>	



1	yellow / gelb	AWG22	TX +	1
2	white / weiß	AWG22	RX +	3
3	blue / blau	AWG22	RX -	6
4	orange / orange	AWG22	TX -	2
shielding / Schirmung				
5	red / rot	0,75mm ²		
6	blue / blau	0,75mm ²		



Part no./ <i>Art.-Nr.:</i>	Description/ <i>Bezeichnung:</i>	Length L1/ <i>Länge L1:</i>	Length L2/ <i>Länge L2:</i>	Cable/ <i>Kabel:</i>	Type/ <i>Typ:</i>
56 - 02066	ENP - 12 - 1 - FSH2Pbu2Dst4 - 45S - RS8.33 - 0,5 / 0,5 / G6 / 075 / 034	0,5m	0,5m	Cable/ Kabel	Contacts Site A/ <i>Kontakte Seite A:</i> Female/ Buchse (Power) Male/ Stift (Data)
56 - 02067	ENP - 12 - 1 - FSH2Pbu2Dst4 - 45S - RS8.33 - 1 / 1 / G6 / 075 / 034	1m	1m	Cable/ Kabel PUR, (4xAWG22) 781-G63400	
56 - 02068	ENP - 12 - 1 - FSH2Pbu2Dst4 - 45S - RS8.33 - 2 / 2 / G6 / 075 / 034	2m	2m	Wires/ Litzen	Site B/ Seite B: RJ45 Male/ RJ45 Stecker
56 - xxxxx	ENP - 12 - 1 - FSH2Pbu2Dst4 - 45S - RS8.33 - ... / ... / G6 / 075 / 034	x	x	PPE, UL (2x0,75mm ²)	

tolerance of cable / wire/ <i>Kabel- / Litzentoleranz:</i>	L <= 4m: L + 40mm L > 4m: L + 1%	dim. in mm	Receptacle B12, backmounting, Coding 1	
general tolerance/ <i>Allgemeintoleranz:</i>	0 ± 0,50mm 0,0 ± 0,25mm 0,00 ± 0,10mm ± ± 1,5°		Date/Datum	Name
Index: a Original	scale/Maßstab:	drawn/ <i>gez.</i>	04.11.2016	Becker
Status: InBearbeitung	1,5:1 (1:1; 2:1)	appd./ <i>gepr.</i>	04.11.2016	Schramm
RoHS & REACH compliant/ <i>konform</i>		CONEC®		dwg no / <i>Z.-nr.:</i> 56K1A1022
				DIN-A3
				1 / 1

The reproduction, distribution and utilization of this document as well as the communication of its contents to third parties without express authorization is prohibited. Offenders will be held liable for the payment of damages. We reserve the right to withdraw advertising and notices, without notice and without liability.

Mouser Electronics

Authorized Distributor

Click to View Pricing, Inventory, Delivery & Lifecycle Information:

[CONEC:](#)

[56-02066](#) [56-02068](#) [56-02067](#)