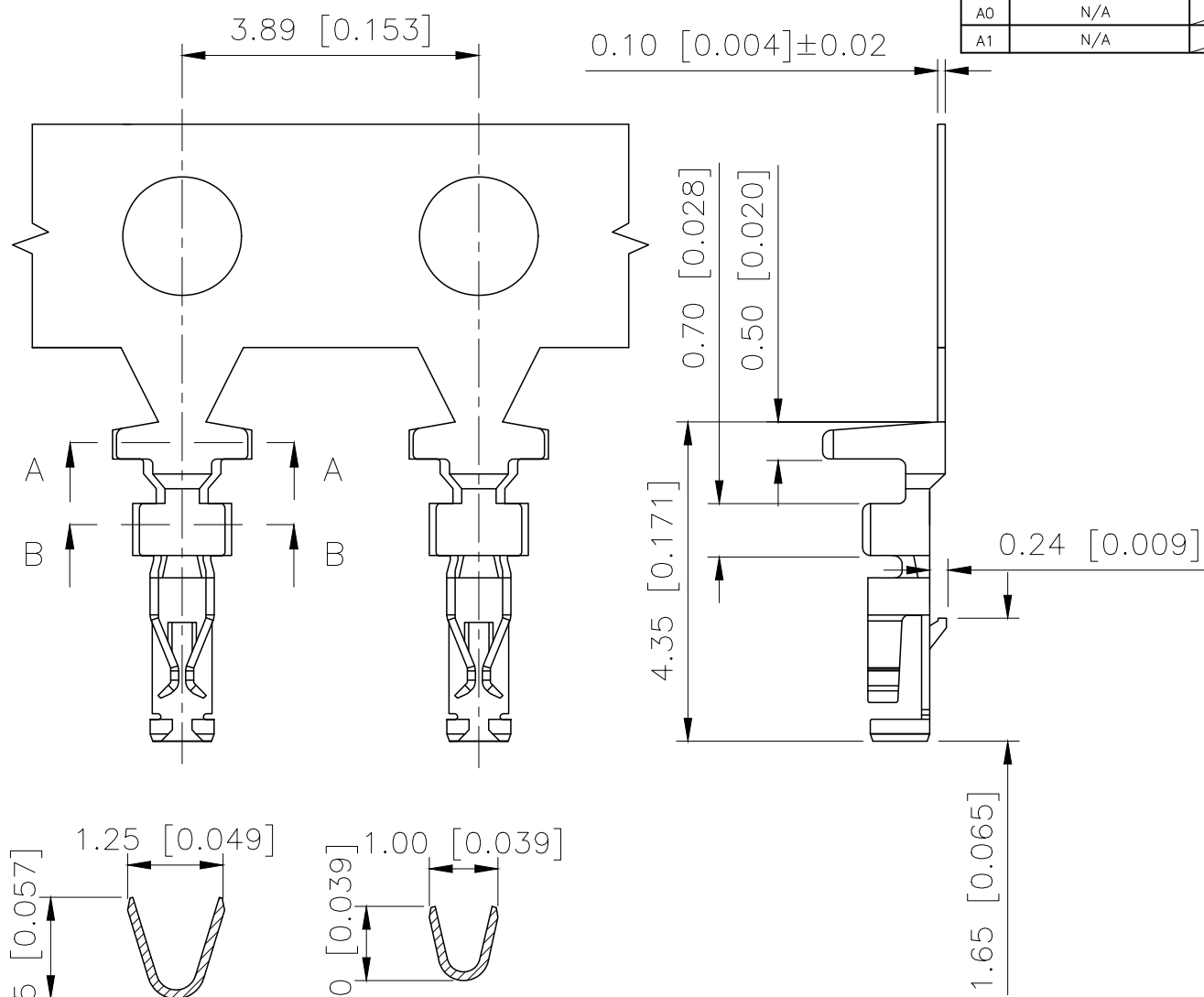


REVISIONS					
REV.	ECN NO.	LOCATION	DESCRIPTION	DATE	DESIGN
A0	N/A		INITIAL RELEASE	/	/
A1	N/A		图面升级整理图面	2024.11.26	阿树



Specifications:
 规格:
 Voltage rating:50V AC/DC
 额定电压: 50V AC/DC
 Current rating: 1A AC/DC
 额定电流: 1A AC/DC
 Withstanding voltage: 500V AC/minute
 耐压电压: 500V AC/分钟
 Temperature range: -40°C~+125°C
 温度范围:-240°C~+125°C
 Insulation resistance: ≥100MΩ
 绝缘电阻: ≥100MΩ
 Contact resistance: ≤20mΩ
 接触电阻: ≤20mΩ
 After environment testing: ≤30mΩ
 环境试验后: ≤30mΩ

PART NO.:

X1102 T-P V01
 ① ② ③ ④

- ①Series Number.
- ②Category: T-terminal
- ③Material: P-Phosphor bronze
- ④Plating style:V01-Gold Flash;

X1102T-PV01	Phosphor	AWG#28-32	0.80mm(Max)	Stamping Before Pating:30u” Ni;Whole Gold :Gold Flash	X1102H
PART NO	Material	Wire Range	Insulation O.D.	Finish	Suitable XKB

AuGLAR	±5°
X.	±0.40
X.x	±0.30
X.xx	±0.20
X.xxx	±0.15
UNSPECIFIED TOLERANCES	



DESIGN	阿树	VIEW:	
CHECKED		UNIT:	mm/in
APPROVED		SIZE:	A4

MODEL TYPE:	1.00mm Crimp Style Connectors
PART NO.:	X1102T-PV01
DWG NO.:	

XKB INDUSTRIAL PRECISION CO.,LIMITED

SCALE	PAGE	REVISION
N/A	1/1	A1