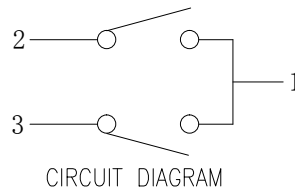
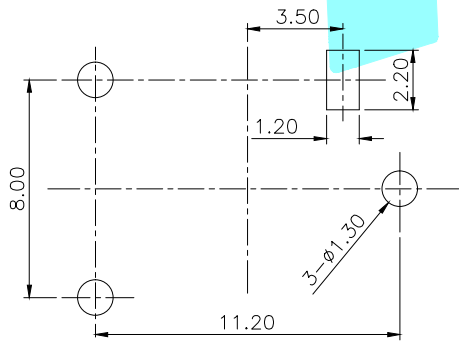
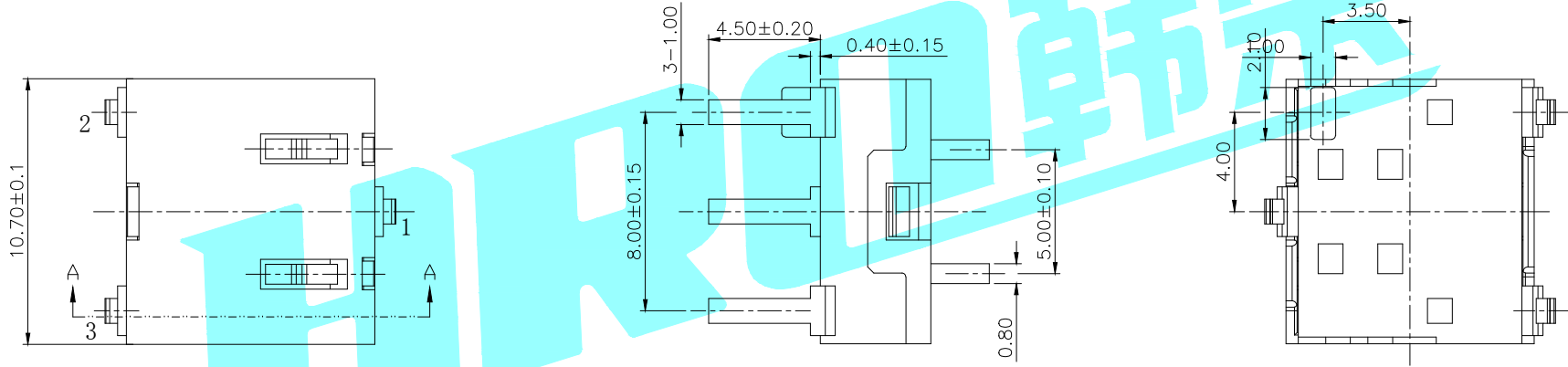
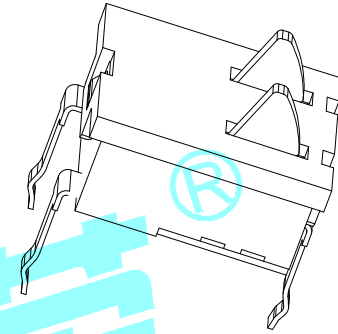
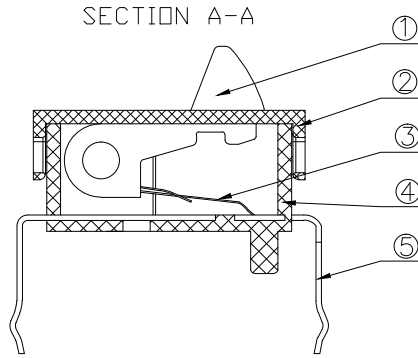
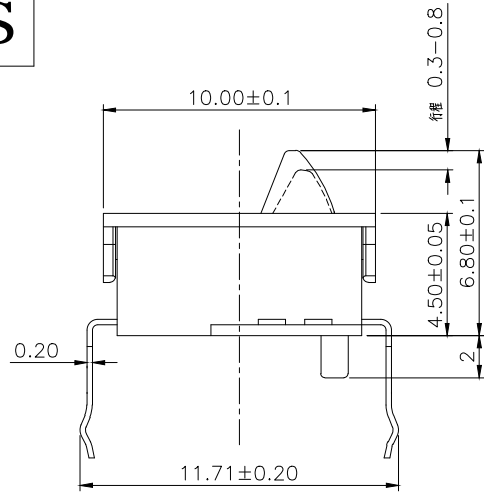


ROHS



NOTE:
 1.Rating: DC 16V 1A.
 2.Dielectric withstanding : AC 250V for 1minute.
 3.Contact resistance : 100mΩ Max.
 4.Insulation Resistance : 50mΩ Min.
 5.Operating Force: 30gf±10gf.
 6.Mechanical Life: 50000 CYCLES.

ITEM	PART NAME	TER'NO.	QTY.	MATERIAL	FINISHING	REMARK
⑤	Terminal	—	3	Brass	Plating silver	—
④	Base	—	1	Nylon	Black	—
③	Contact	—	2	Beryllium copper	Plating silver	—
②	Cover	—	1	POM	Black	—
①	Knob	—	2	POM	White	—

APPROVALS		DATE		HRO 韓榮 ELECTRONICS CO.,LTD		
DRAWN	LIUCAN	2021.01.13		TITLE:	PUSHBUTTON SWITCHES	
CHECKED				PART NO.	K5-1071DA-01	
APPROVALS				UNIT: mm	SCALE: 1:1	PROJ:
TOLERANCES ARE		30~以上	±0.30	ANGLE		
		10~30	±0.20			
		5~10	±0.15			
		~ 5	±0.10	±2°	DRAWING NO.	SHEET 1 OF 1

ECN NO.	REV.	DATE.	DESCRIPTION.	CHANGE.	CHECK.	APPRO.
	A		NEW			