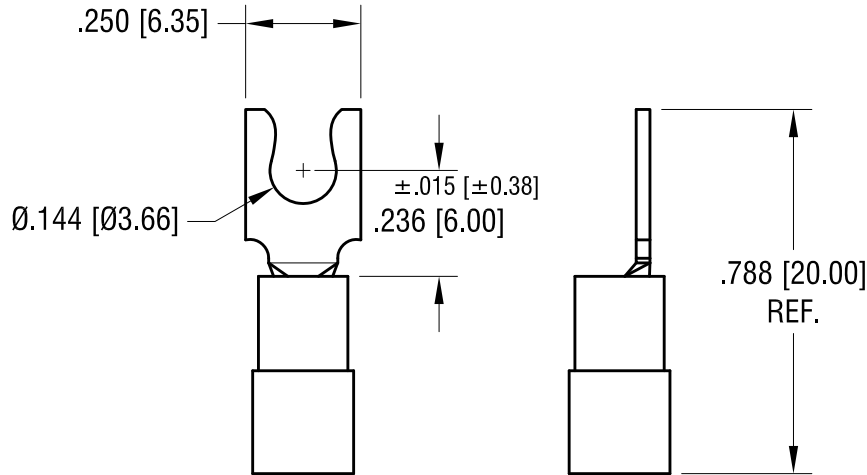
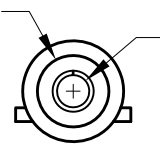


THIS DOCUMENT IS THE PROPERTY OF
KEYSTONE ELECTRONICS CORP. AND
SHALL NOT BE REPRODUCED, DISTRIBUTED
OR USED AS A BASIS FOR MANUFACTURE
WITHOUT PRIOR WRITTEN PERMISSION
FROM KEYSTONE ELECTRONICS CORP.

ACTUAL SIZE



FOR Ø.145 [Ø3.38] MAX.
INSULATOR DIA.



Ø.070 [Ø1.78]
TERMINAL I.D.

NOTE:

1. TERMINAL: .031 [0.78] TH'K COPPER, TIN PLATE
INSULATOR: VINYL, RED
2. ACCOMMODATES WIRE RANGE 22/18 AWG

KEYSTONE ELECTRONICS CORP.			
www.keyelco.com • NEW HYDE PARK NY 11040 • Tel (516)328-7500			
PART NAME			
INSULATEDCNAP-SPADE TERMINAL			
MATERIAL			
AS NOTED			
FINISH		DRN BY	DATE
AS NOTED		BOONE	11.05.07
		APP'D	SCALE
		RH	2.5X
TOLERANCES	INCH [MM]	CODE	DWG NO.
DECIMAL	± .010 [± 0.25]	C	8263
ANGULAR	± 1°		
UNLESS OTHERWISE SPECIFIED			

7.18.23	UPDATE PER NEW TOOLING CHANGE AS PER ECN 23-123	A
DATE	DESCRIPTION	REV.