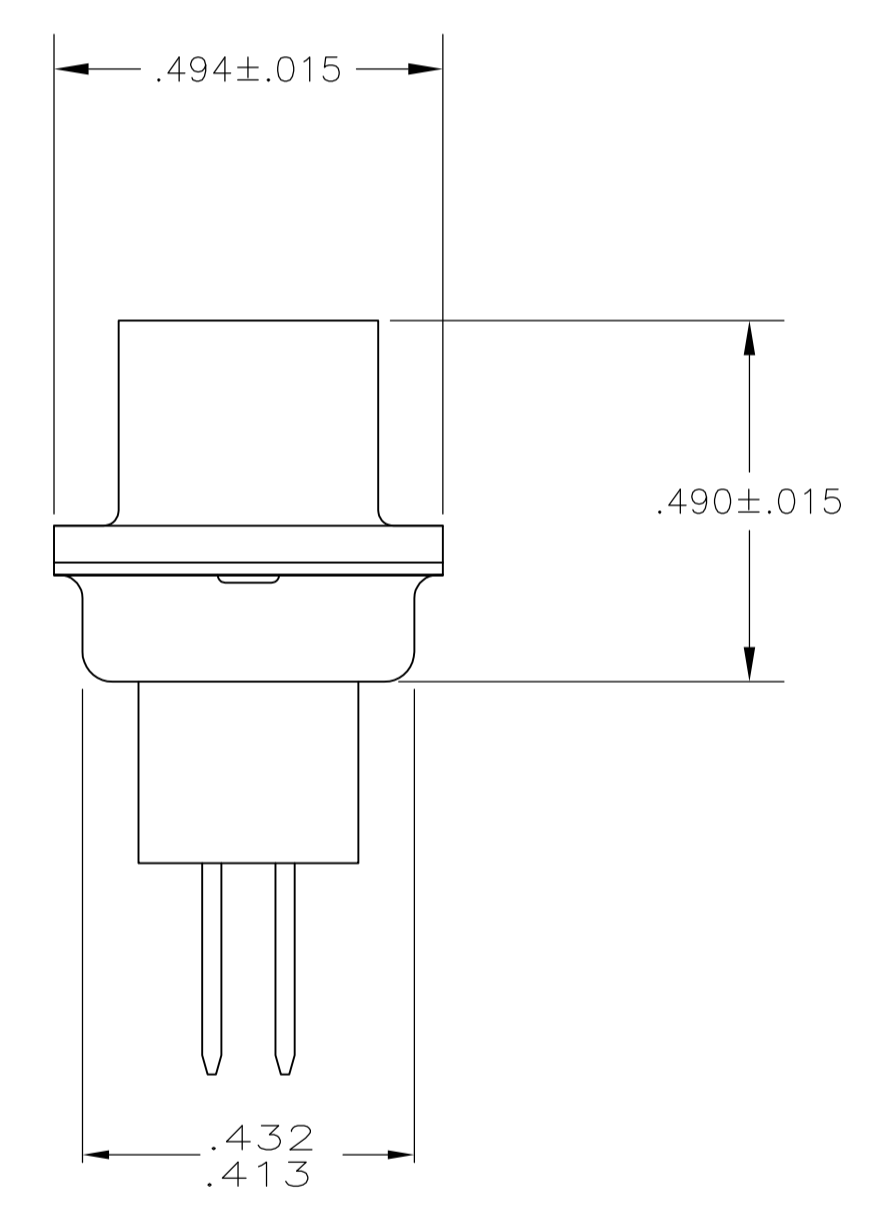
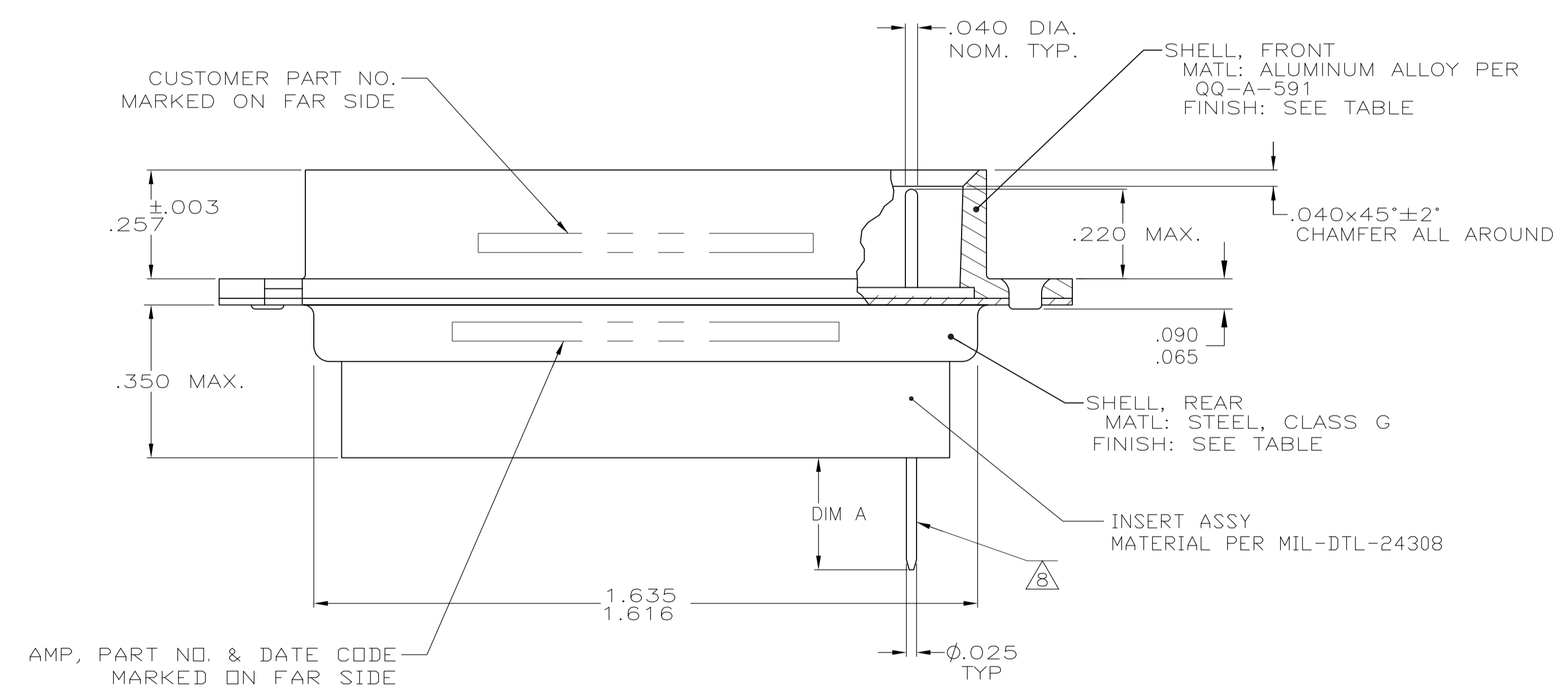
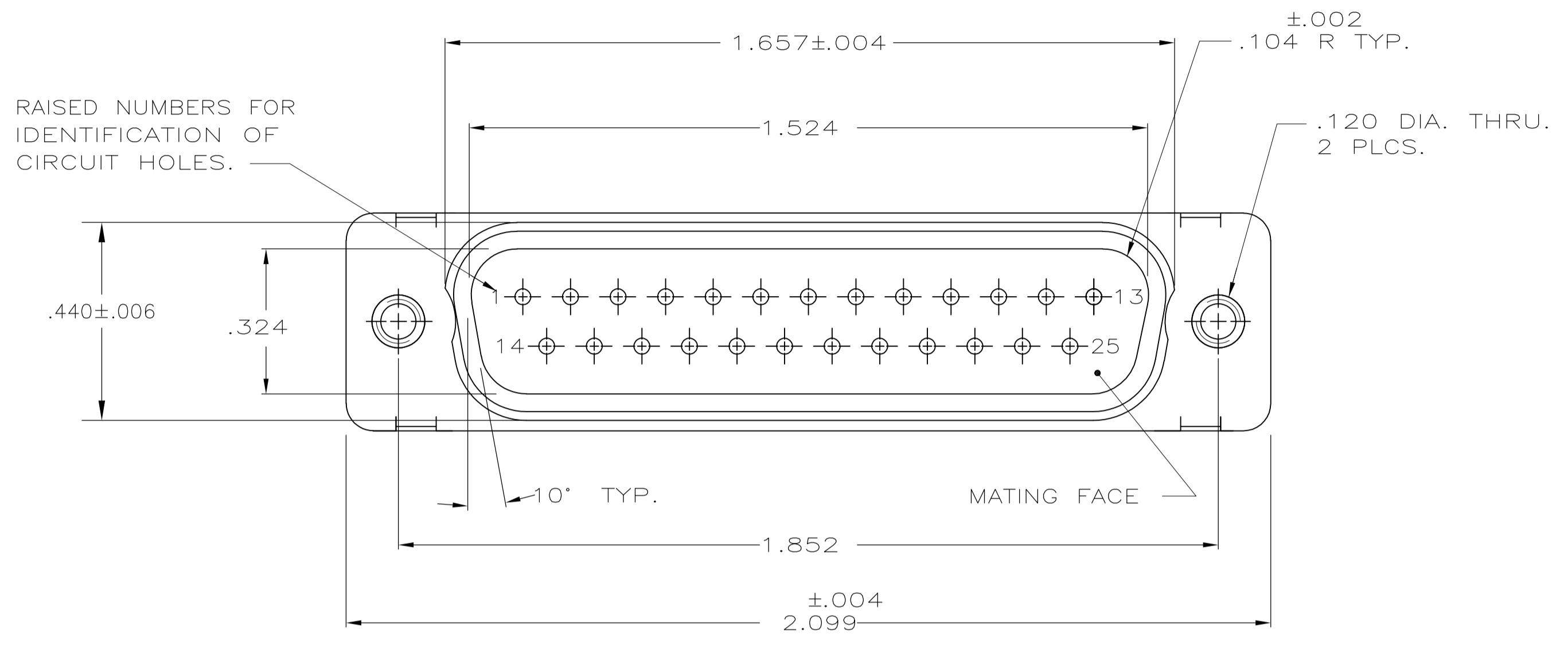


LOC		DIST		REVISIONS			
P	LTR	DESCRIPTION	DATE	DMN	APVD		
S		REV PER ECO 15-0059-7	5-19-15	CT	DM		



1. THIS PLUG WILL MATE WITH ANY 25 POSN., SIZE 3 RECEPTACLE IN AMPLIMITE SERIES.
  2. MAXIMUM WIRE INSULATION TO BE USED WITH THIS PLUG IS .068 DIA.
  3. SST RETENTION CLIPS ARE INCLUDED IN INSERTS.
  4. THIS PLUG IS DESIGNED TO CONFORM TO THE LATEST ISSUE OF MIL-C-24308.
  5. 445007-1 & 5--1 SUPPLIED WITHOUT CONTACTS.
  6. 445007-1 WILL ACCEPT SIZE 20 DM PIN CONTACT M39029/64-369 OR ANY AMP SIZE 20 DF PIN CONTACT.
8. UL/CSA DESIGNATION STAMPED IN THIS AREA  
 9. POSTED CONTACTS LOADED IN HOUSING OF 445007-2 .  
 10. 25 EACH OF CONTACT #205089-1 INCLUDED WITH ASSEMBLY; PACKAGED SEPARATELY.  
 11. FINISH: ZINC PLATED PER ASTM-B-633 .000200 MIN THK WITH SUPPLEMENTARY CHROMATE (Cr3+).

11	-	AS SHOWN EXCEPT 9	5-445007-1
10	-	AS SHOWN EXCEPT 9	445007-3
10	.365/.300	AS SHOWN	445007-2
10	-	AS SHOWN EXCEPT 9	445007-1
SHELL FINISH	DIM A	DESCRIPTION	PART NO

DIMENSIONS:		TOLERANCES UNLESS OTHERWISE SPECIFIED:		APVD		NAME	
INCHES		0. PLC	± -	S. GLATFELTER	10-17-85	TE Connectivity	
		1. PLC	± -	F.C. BALLEW	10-17-85	PLUG ASSEMBLY, AMPLIMITE, 25 POSN., SIZE 3, SERIES 109, BLINDMATE	
		2. PLC	± -	F. BALLEW	10-17-85	APPLICATION SPEC	
		3. PLC	± .005			SIZE	CAGE CODE
		4. PLC	± -			A1	00779
		ANGLES	± -			DRAWING NO	445007
MATERIAL	SEE CALLOUT	FINISH	SEE CALLOUT	WEIGHT	-	RESTRICTED TO	-
CUSTOMER DRAWING				SCALE	4:1	SHEET	1 OF 1