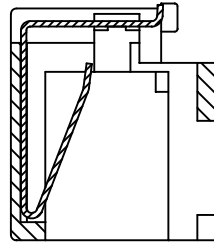
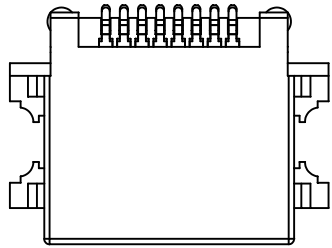
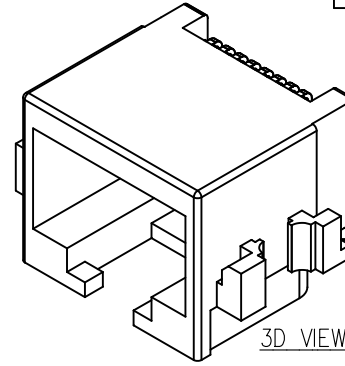


RoHS2.0

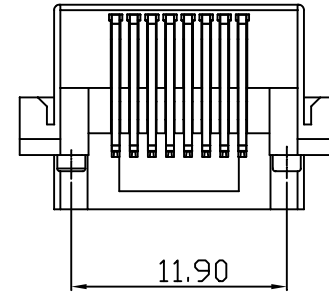
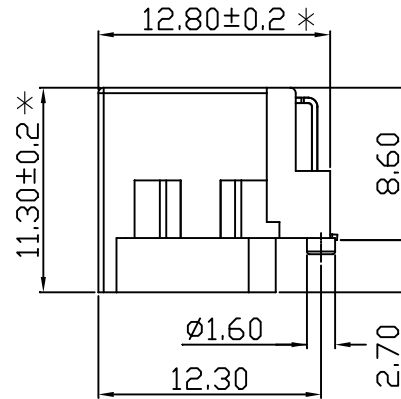
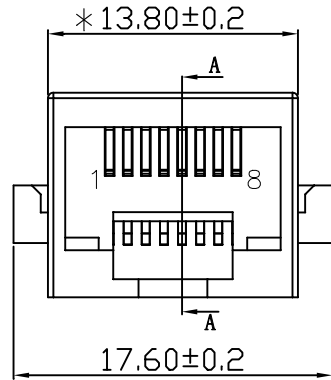
| | | | | |
|------|---------|-------------|----------|--------|
| REV. | ECN NO. | DESCRIPTION | DATE | DESIGN |
| A1. | /. | 重新校对图面 | 21.01.11 | LiHui |



SECTION A-A

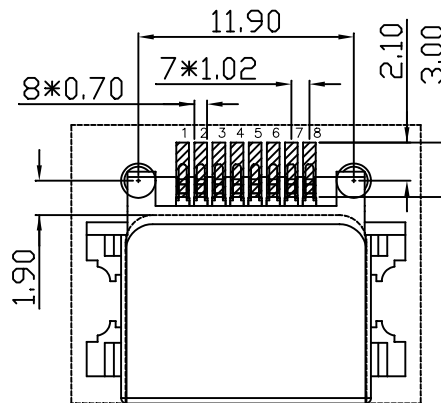
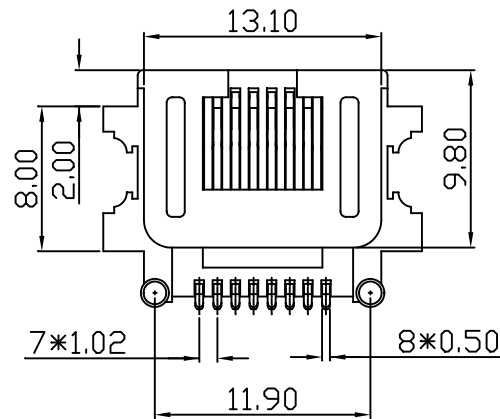


3D VIEW



NOTES:

- MATERIAL:
 - HOUSING: LCP ,COLOR IS GRAY;
 - CONTACT: PHOSPHOR COPPER (C5191 T=0.30mm);
- FINISH: GOLD PLATED G/Fu”;
- ELECTRICAL:
 - VOLTAGE RATING: 125 VAC RMS;
 - CURRENT RATING: 1.5 AMP;
 - CONTACT RESISTANCE: 35MILLIOHMS MAX.;
 - WITHSTAND VOLTAGE: 500 VAC RMS 50(60)Hz,1MIN.;
 - INSULATION RESISTANCE: 500MEGOHMS MIN @500V DC.;
- MECHANICAL:
 - MATING/UNMATING FORCE: 22N MAX.;
 - RETENTIION STRENGTH: 50N MIN.;
 - OPERATING LIFE: 750 CYCLES MIN.;
- ENVIRONMENTAL:
 - STORAGE TEMPERATURE RANGE: -40°C~+85°C ;
 - OPERATION TEMPERATURE RANGE: -25°C~+70°C;



▨ PAD AREA (TOP VIEW)

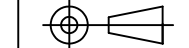
深圳市华灿天禄电子有限公司

UNLESS OTHERWISE,
GENERAL TOLERANCE:
X.xx ±0.10
X.xx ±0.20
X.x ±0.30

NAME:
RJ沉板(全塑编带)

P/N:
HC-RJ45-055-6
DWG NO.:

THIRD ANGLE PROJECTION



| | | | | |
|-------|--------|-------|--------|-------|
| UNIT: | SCALE: | SIZE: | SHEET: | REV.: |
| mm | 1:1 | A4 | 1/1 | A1 |

ANGULAR:
X.xx° ±1°
X.x° ±3°
X.° ±5°

DRAWN: _____ CHECKED: _____ APPROVED _____