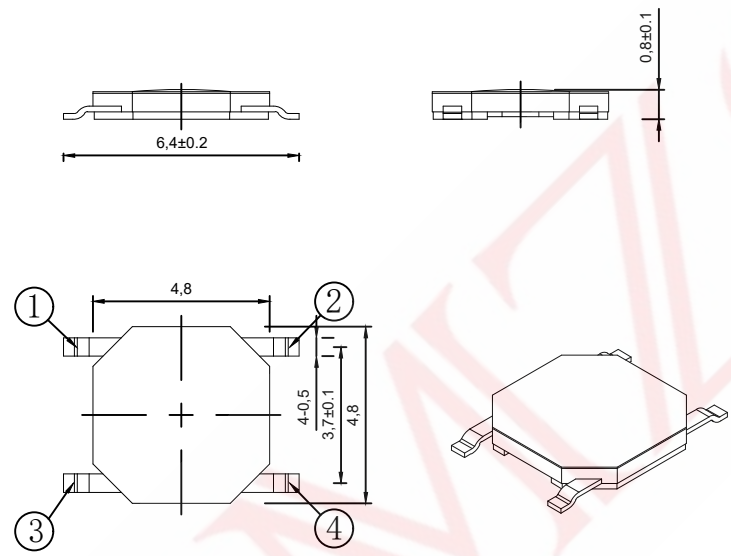
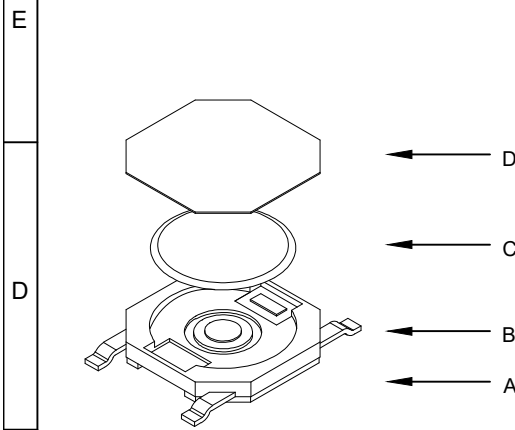


1 SAMZO 2 REAC/ROHS

REV	ECN NO	DESCRIPTION	DESIGN	APPROVAL	DATE
A1	NEW	Replace frame			2018.06.12

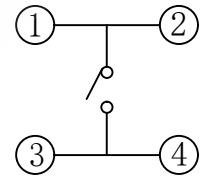
主要技术参数、性能
The Main Thchnology Performance

额定电流、电压 Rate voltage,current	50mA DC12V
接触电阻 Contact resistance	≤100mΩ
按力 Operating force	±50gf
行程 Travel	0.20±0.10mm
绝缘电阻 Insulated resistance	≥100MΩ
介电强度 Dielectric strength	≥250VAC/1min

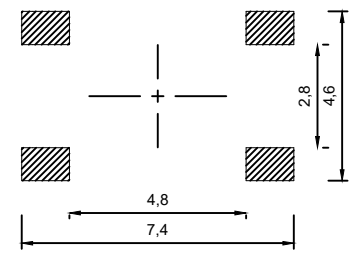


G	4	B	0	8	*	*	1	0
A	B	C	D	E	F	G	H	

- A. 系列:G-4*4系列
- B. 贴装方式:4-立式贴片
- C. 引脚规格:B-4P
- D. 操作高度:08-0.8mm
- E. 操作力度:1-100gf/2-160gf/3-260gf
- F. 操作寿命:1-100,000次/2-500,000次/3-1,000,000次
- G. 固定方式:1-无柱
- H. 物料编码:0-常规(确认待编)



电路图
CIRCUIT DIAGRAM



PCB. 焊接图
PCB. WELDING DRAWING

ITEM	DESCRIPTION	MATERIAL	QTY	FINISH/COLOR					
F	按钮	PPA	1	白色	GENERAL TOLERANCE				
D	防尘膜	聚酰亚胺	1	橙黄色			≥0~2<	±0.15	
C	弹片	不锈钢	1	镀银	DESIGN	WANGGUIFA	2018.06.12	≥2~5<	±0.25
B	本件	PPA	1	白色	CHECKED	ZHENGUILAN	2018.06.12	≥0~2<	±0.15
A	卡件	黄铜	1	镀银	APPROVED	LILIANJIANG	2018.06.14	≥5	±0.35

FIRST VIEW

SCALE 1:1 UNIT mm

SAMZO COMPONENTS
Electronic switch and connector manufacturer

The copyright belongs to samzo parts [China] Co., Ltd. please use the material after samzo parts agree to authorize. The final right of interpretation belongs to samzo parts. WWW.KKK-JP.COM

TITLE::	4.8*4.8*0.8H SMT
DWG NO:	G4B-P4808
PART NO:	G4B0801700
MODEL NO:	G4B08-*-*10
NAME:	TACT SWITCH