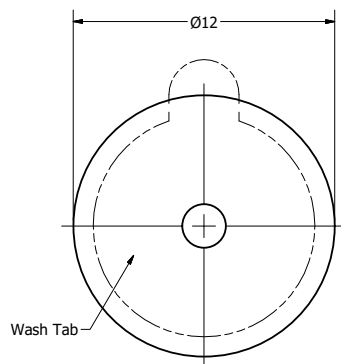
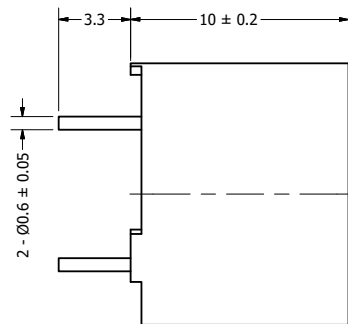


Part Number:	TE122405-2	
DRAWN	CJ	12/19/2016
CHECKED	P.D	12/19/2016
Description:	Electro-Mechanical Transducer	
APPROVED	J.S	12/19/2016
This document contains data proprietary to DB Unlimited. Any use or reproduction, in any form, without prior written permission of DB Unlimited is prohibited. All terms and conditions can be found at www.dbunlimitedco.com		

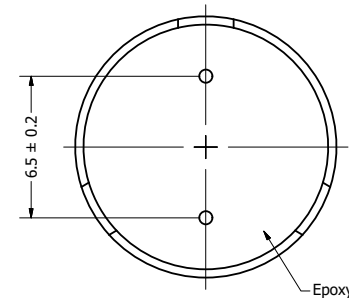
Top View



Side View



Bottom View



Items	Specifications	Conditions
Sound Pressure Level	85	dB (@ 10cm)
Resonant Frequency	2,400	Hz
Rated Voltage	5	V
Voltage Range	3 ~ 8	V
Coil Resistance	40	Ω
Max. Rated Current	50	mA
Storage Temperature	-40 ~ +105	$^{\circ}\text{C}$
Operating Temperature	-30 ~ +105	$^{\circ}\text{C}$
Connection Method	PC Pin	
Mount Type	Thru-Hole Mount	
Housing Material	PBT	
Weight	2	g

REVISION HISTORY

REV	DESCRIPTION	DATE	APPROVED
	Released from Engineering	10/21/2013	J.S.
1	Update temps, housing material, new drawing template	4/2/2018	C.E.

NOTES

- 1) All dimensions are in mm unless otherwise noted
- 2) All tolerances are ± 0.5 mm unless otherwise noted
- 3) All parts meet RoHS
- 4) Subject to change or redrawn without notice