

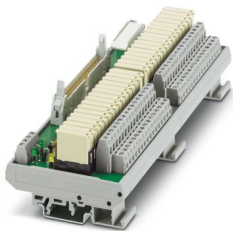
UMK-32 RM/MR-G24/1/PLC - Active module



2979472

<https://www.phoenixcontact.com/us/products/2979472>

Please be informed that the data shown in this PDF document is generated from our online catalog. Please find the complete data in the user documentation. Our general terms of use for downloads are valid.



VARIOFACE output module, with 32 miniature relays, 1 N/O contact each, plugged, for 24 V DC (incl. relay)

Your advantages

- Narrow design width of just 55 mm (8 channels) or 202 mm (32 channels)
- Universal applications from 1 mA to 3 A continuous current thanks to 2-layer double contact with hard gold plating
- LED status indicator per signal path and supply voltage
- Freewheeling and polarity protection diode for each signal path
- Plug-in miniature relays each with an N/O contact

Commercial data

| | |
|--------------------------------------|---------------------|
| Item number | 2979472 |
| Packing unit | 1 pc |
| Minimum order quantity | 1 pc |
| Sales key | C421 |
| Product key | CK2191 |
| Catalog page | Page 524 (C-5-2019) |
| GTIN | 4017918130367 |
| Weight per piece (including packing) | 459 g |
| Weight per piece (excluding packing) | 403.83 g |
| Customs tariff number | 85364190 |
| Country of origin | DE |

UMK-32 RM/MR-G24/1/PLC - Active module



2979472

<https://www.phoenixcontact.com/us/products/2979472>

Technical data

Product properties

| | |
|-------------------------|--------------------------------|
| Product type | Interface module |
| No. of channels | 32 |
| Operating mode | 100% operating factor |
| Mechanical service life | 2x 10 ⁷ cycles |
| Compatible components | Miniature relay, REL-MR-G 24/1 |
| With components | yes |

Data management status

| | |
|------------------|----|
| Article revision | 09 |
|------------------|----|

Insulation characteristics

| | |
|----------------------|-----|
| Overvoltage category | III |
| Pollution degree | 2 |

Electrical properties

| | |
|--------------------------|-------------------------|
| Rated insulation voltage | 300 V AC |
| Rated surge voltage | 4 kV (Basic insulation) |

Supported controller SIEMENS S7-1500

| | |
|-------------------|--------------------|
| Suitable I/O card | 6ES7521-1BL00-0AB0 |
| | 6ES7522-1BL00-0AB0 |
| | 6ES7522-1BL01-0AB0 |

Supported controller SIEMENS S7-400

| | |
|-------------------|--------------------|
| Suitable I/O card | 6ES7422-1BL00-0AA0 |
| | 6ES7422-7BL00-0AB0 |

Supported controller ALLEN-BRADLEY PLC 5

| | |
|-------------------|----------|
| Suitable I/O card | 1771 OBN |
|-------------------|----------|

Supported controller EMERSON DeltaV

| | |
|-------------------|--------------|
| Suitable I/O card | VE4002S1T2B6 |
|-------------------|--------------|

Supported controller GE-FANUC RX3i

| | |
|-------------------|-------------|
| Suitable I/O card | IC694MDL754 |
|-------------------|-------------|

Supported controller HONEYWELL Experion PKS C200

| | |
|-------------------|------------|
| Suitable I/O card | TC-ODD 321 |
|-------------------|------------|

Supported controller MITSUBISHI MELSEC L

| | |
|-------------------|----------|
| Suitable I/O card | LY41PT1P |
| | LY42PT1P |

Supported controller MITSUBISHI MELSEC Q

| | |
|-------------------|-------|
| Suitable I/O card | QY81P |
|-------------------|-------|

UMK-32 RM/MR-G24/1/PLC - Active module



2979472

<https://www.phoenixcontact.com/us/products/2979472>

| | |
|---|---|
| | QY82P |
| Supported controller SCHNEIDER ELECTRIC Modicon TSX QUANTUM | |
| Suitable I/O card | DDO 353 |
| Supported controller SIEMENS S7-300 / ET 200 M | |
| Suitable I/O card | 6ES7322-1BL00-0AA0 |
| Supported controller SIEMENS ET 200SP HA | |
| Suitable terminal block | 6DL1193-6TP00-0BH1 |
| | 6DL1193-6TP00-0DH1 |
| | 6DL1193-6TP00-0BM1 |
| | 6DL1193-6TP00-0DM1 |
| Suitable I/O module | 6DL1131-6BL00-0PH1 (Terminal Block H1/M1) |
| | 6DL1132-6BL00-0PH1 (Terminal Block H1/M1) |

Input data

| | |
|---|--|
| Nominal input voltage U_N | 24 V DC |
| Input voltage range in reference to U_N | 0.8 ... 1.1 |
| Input voltage range | 19.2 V DC ... 26.4 V DC |
| Typical input current at U_N | 6.5 mA |
| Typical response time | 5 ms |
| Typical release time | 15 ms |
| Protective circuit | Freewheeling diode; Freewheeling diode |
| | Reverse polarity protection; Polarity protection diode |
| Operating voltage display | Green LED |
| Status display/channel | Yellow LED |

Output data

| | |
|-----------------------|--------------------------------|
| Compatible components | Miniature relay, REL-MR-G 24/1 |
|-----------------------|--------------------------------|

Switching

| | |
|---------------------------------------|----------------------------------|
| Contact switching type | 1 N/O contact |
| Type of switch contact | Double contact |
| Contact material | AgNi, 5 μ m hard gold-plated |
| Maximum switching voltage | 250 V AC |
| | 125 V DC |
| Minimum switching voltage | 5 V |
| Limiting continuous current | 3 A |
| Maximum inrush current | 5 A |
| Min. switching current | 1 mA |
| Interrupting rating (ohmic load) max. | 72 W (24 V DC) |
| | 60 W (48 V DC) |
| | 50 W (60 V DC) |
| | 50 W (110 V DC) |
| | 750 VA (250 V AC) |

UMK-32 RM/MR-G24/1/PLC - Active module



2979472

<https://www.phoenixcontact.com/us/products/2979472>

| | |
|--|----|
| Error detection (line break / short-circuit) | no |
|--|----|

Connection data

Controller level

| | |
|-----------------------|-------------------|
| Connection method | IDC/FLK pin strip |
| Number of connections | 1 |
| Number of positions | 50 |
| Pitch | 2.54 mm |

Field level

| | |
|----------------------------------|--|
| Connection method | Screw connection |
| Stripping length | 6 mm |
| Screw thread | M3 |
| Number of connections | 64 |
| Conductor cross section rigid | 0.14 mm ² ... 1.5 mm ² |
| Conductor cross section flexible | 0.14 mm ² ... 1.5 mm ² |
| Conductor cross section AWG | 26 ... 16 |

Supply

| | |
|----------------------------------|--|
| Connection method | Screw connection |
| Stripping length | 6 mm |
| Screw thread | M3 |
| Number of connections | 4 |
| Number of positions | 2 |
| Conductor cross section rigid | 0.14 mm ² ... 1.5 mm ² |
| Conductor cross section flexible | 0.14 mm ² ... 1.5 mm ² |
| Conductor cross section AWG | 26 ... 14 |

Signaling

| | |
|------------------------|-----|
| Status display present | Yes |
|------------------------|-----|

Dimensions

| | |
|--------|----------|
| Width | 202.5 mm |
| Height | 77 mm |
| Depth | 52.5 mm |

Material specifications

| | |
|-------|-----------------|
| Color | gray (RAL 7042) |
|-------|-----------------|

Environmental and real-life conditions

Ambient conditions

| | |
|---|------------------|
| Degree of protection | IP00 |
| Ambient temperature (operation) | -20 °C ... 50 °C |
| Ambient temperature (storage/transport) | -20 °C ... 70 °C |

UMK-32 RM/MR-G24/1/PLC - Active module



2979472

<https://www.phoenixcontact.com/us/products/2979472>

Standards and regulations

| | |
|-----------------------|----------------|
| Standards/regulations | EN 61010-2-201 |
| | IEC 60664 |

Mounting

| | |
|-------------------|---------------------------|
| Mounting type | DIN rail mounting |
| Thread type | () |
| Assembly note | in rows with zero spacing |
| Mounting position | any |

Notes

| | |
|--------------------|--|
| Notes on operation | Observe the maximum switching capacity of the relays used |
| Notes on operation | Do not connect adjacent channels to SELV/ PELV and voltages dangerous to the touch. |
| Notes on operation | The outputs are not suitable for switching different line conductors. The sum of the switching voltages used for adjacent outputs must not exceed the rated insulation voltage value |
| Notes on operation | The necessary requirements for insulation (basic insulation or reinforced insulation) from adjacent modules (in DIN-rail direction) must be realized by applying suitable measures (e. g., partition plates). |
| Notes on operation | For proper use, the specifications of the installation directive (see Downloads) must be observed. For applications or use with third-party products, the specifications, and the safety and warning instructions of the respective third-party manufacturer must also be met. |

UMK-32 RM/MR-G24/1/PLC - Active module

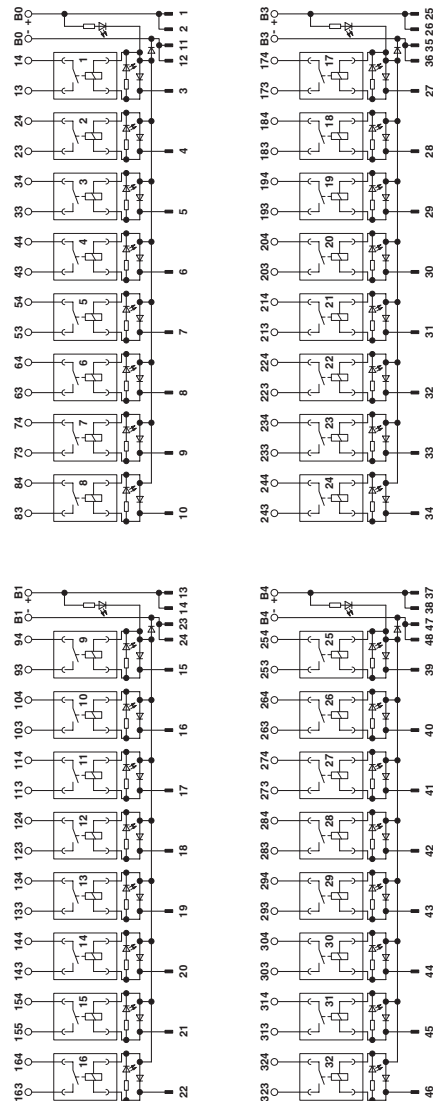


2979472

<https://www.phoenixcontact.com/us/products/2979472>

Drawings

Circuit diagram

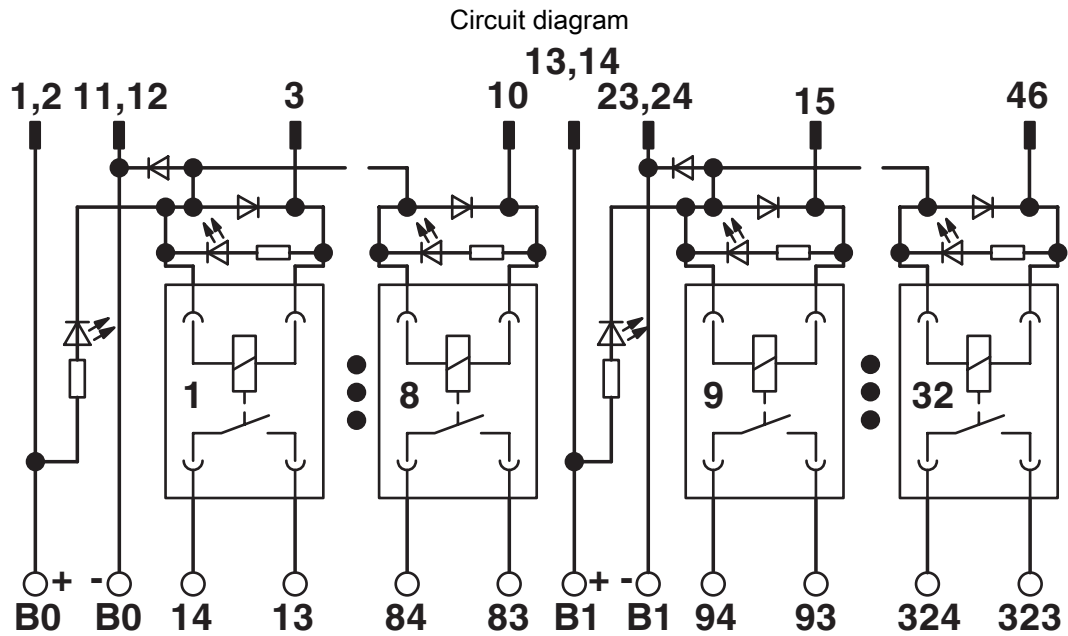


UMK-32 RM/MR-G24/1/PLC - Active module

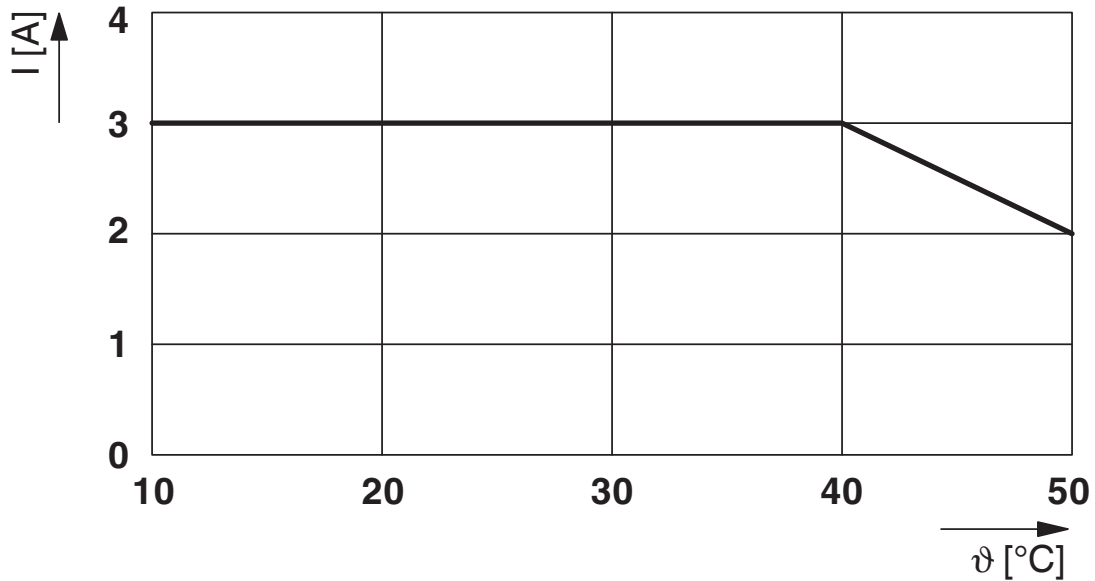


2979472

<https://www.phoenixcontact.com/us/products/2979472>



Diagram



Derating curve for limiting continuous current

UMK-32 RM/MR-G24/1/PLC - Active module





2979472

<https://www.phoenixcontact.com/us/products/2979472>

Approvals

To download certificates, visit the product detail page: <https://www.phoenixcontact.com/us/products/2979472>

|  cUL Recognized Approval ID: E238705 | | | | |
|---|-----------------------|-----------------------|-------------------|----------------------|
| | Nominal voltage U_N | Nominal current I_N | Cross section AWG | Cross section mm^2 |
| | 24 V | 3 A | - | - |

|  UL Recognized Approval ID: E238705 | | | | |
|--|-----------------------|-----------------------|-------------------|----------------------|
| | Nominal voltage U_N | Nominal current I_N | Cross section AWG | Cross section mm^2 |
| | 24 V | 3 A | - | - |

|  EAC Approval ID: RU*DE*08.B.01841/19 | |
|---|--|
|---|--|

| cULus Recognized | |
|-------------------------|--|
|-------------------------|--|

UMK-32 RM/MR-G24/1/PLC - Active module



2979472

<https://www.phoenixcontact.com/us/products/2979472>

Classifications

ECLASS

| | |
|-------------|----------|
| ECLASS-11.0 | 27141152 |
| ECLASS-12.0 | 27141152 |
| ECLASS-13.0 | 27141152 |

ETIM

| | |
|----------|----------|
| ETIM 9.0 | EC002780 |
|----------|----------|

UNSPSC

| | |
|-------------|----------|
| UNSPSC 21.0 | 39121400 |
|-------------|----------|

UMK-32 RM/MR-G24/1/PLC - Active module



2979472

<https://www.phoenixcontact.com/us/products/2979472>

Environmental product compliance

EU RoHS

| | |
|---|--------------------|
| Fulfills EU RoHS substance requirements | Yes |
| Exemption | 6(c), 7(a), 7(c)-I |

China RoHS

| | |
|--|---|
| Environment friendly use period (EFUP) | EFUP-50 |
| | An article-related China RoHS declaration table can be found in the download area for the respective article under "Manufacturer declaration". For all articles with EFUP-E, no China RoHS declaration table issued and required. |

EU REACH SVHC

| | |
|-------------------------------------|---|
| REACH candidate substance (CAS No.) | Hexahydromethylphthalic anhydride(CAS: n/a) |
| | Lead(CAS: 7439-92-1) |
| SCIP | 1075b1cd-56c1-4dc4-a6c1-a3443c2e5644 |

Phoenix Contact 2024 © - all rights reserved
<https://www.phoenixcontact.com>

Phoenix Contact USA
586 Fulling Mill Road
Middletown, PA 17057, United States
(+717) 944-1300
info@phoenixcon.com