







Washer round for EMERGENCY STOP mushroom pushbutton, yellow, illuminated, thickness 5 mm, outer diameter 60 mm, inside diameter 23 mm, with inscription: EMERGENCY STOP

product brand name	SIRIUS ACT
product designation	EMERGENCY STOP backing plate
design of the product	illuminated (6-24 V AC/DC)
product type designation	3SU1
<b>General technical data</b>	
protection class IP	IP65
degree of protection NEMA rating	1, 2, 3R, 12, 13
shock resistance for railway applications according to EN 61373	Category 1, Class B
vibration resistance for railway applications according to EN 61373	Category 1, Class B
Substance Prohibitance (Date)	10/01/2014
SVHC substance name	Lead - 7439-92-1
<b>Ambient conditions</b>	
ambient temperature	
• during operation	70 ... -25 °C
• during storage and transport	80 ... -40 °C
<b>Environmental footprint</b>	
Environmental Product Declaration (EPD)	Yes
Global Warming Potential [CO2 eq] total	0.787 kg
Global Warming Potential [CO2 eq] during manufacturing	0.566 kg
Global Warming Potential [CO2 eq] during operation	0.235 kg
Global Warming Potential [CO2 eq] after end of life	-0.015 kg
<b>Accessories</b>	
material of accessory	Plastic
fastening method of label	stick
marking of backing plate	EMERGENCY STOP
shape of backing plate	Round
color of backing plate	yellow (plate); black (text)
product function illuminated backing plate	Yes
<b>Approvals Certificates</b>	
General Product Approval	Test Certificates
 	<a href="#">Confirmation</a>  
	<a href="#">Type Test Certificates/Test Report</a>
other	Environment



Further information

Information on the packaging

<https://support.industry.siemens.com/cs/ww/en/view/109813875>

Information- and Downloadcenter (Catalogs, Brochures,...)

<https://www.siemens.com/ic10>

Industry Mall (Online ordering system)

<https://mall.industry.siemens.com/mall/en/en/Catalog/product?mlfb=3SU1901-0BD31-0DA0>

Cax online generator

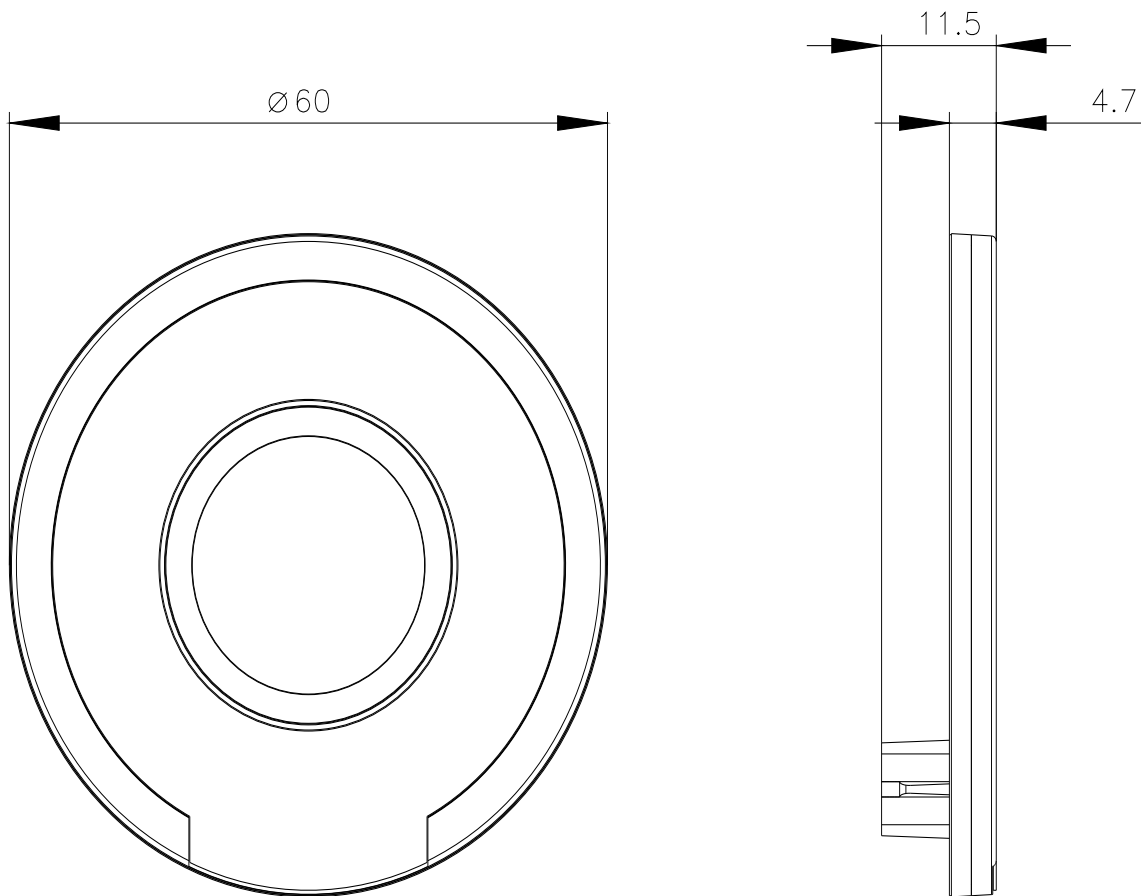
<http://support.automation.siemens.com/WW/CAXorder/default.aspx?lang=en&mlfb=3SU1901-0BD31-0DA0>

Service&Support (Manuals, Certificates, Characteristics, FAQs,...)

<https://support.industry.siemens.com/cs/ww/en/ps/3SU1901-0BD31-0DA0>

Image database (product images, 2D dimension drawings, 3D models, device circuit diagrams, EPLAN macros, ...)

[http://www.automation.siemens.com/bilddb/cax\\_de.aspx?mlfb=3SU1901-0BD31-0DA0&lang=en](http://www.automation.siemens.com/bilddb/cax_de.aspx?mlfb=3SU1901-0BD31-0DA0&lang=en)



last modified:

3/11/2024