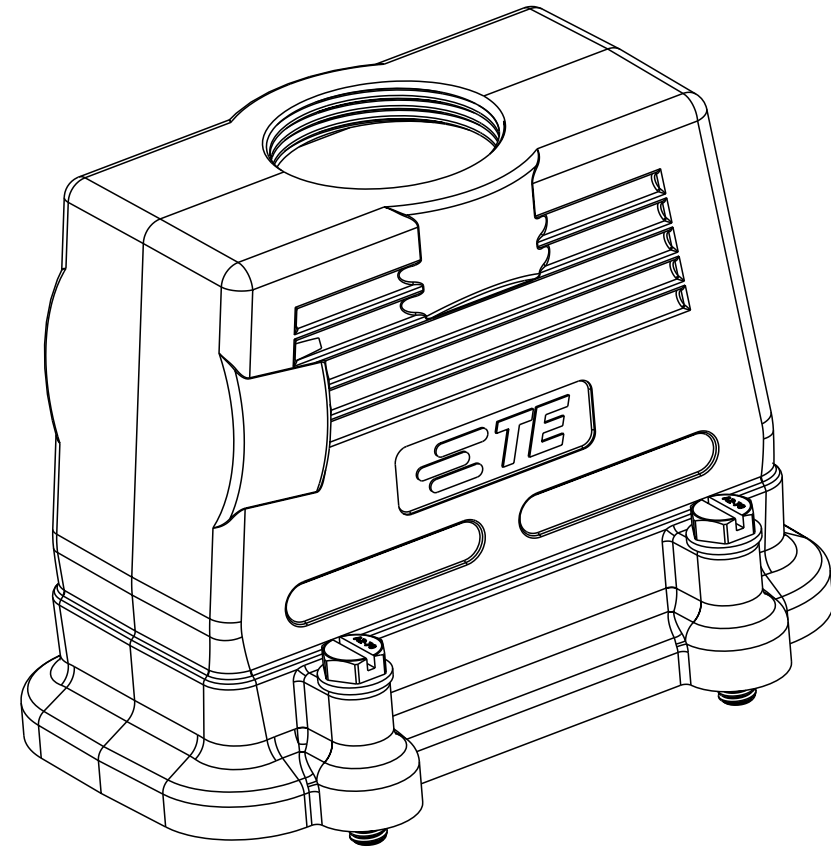
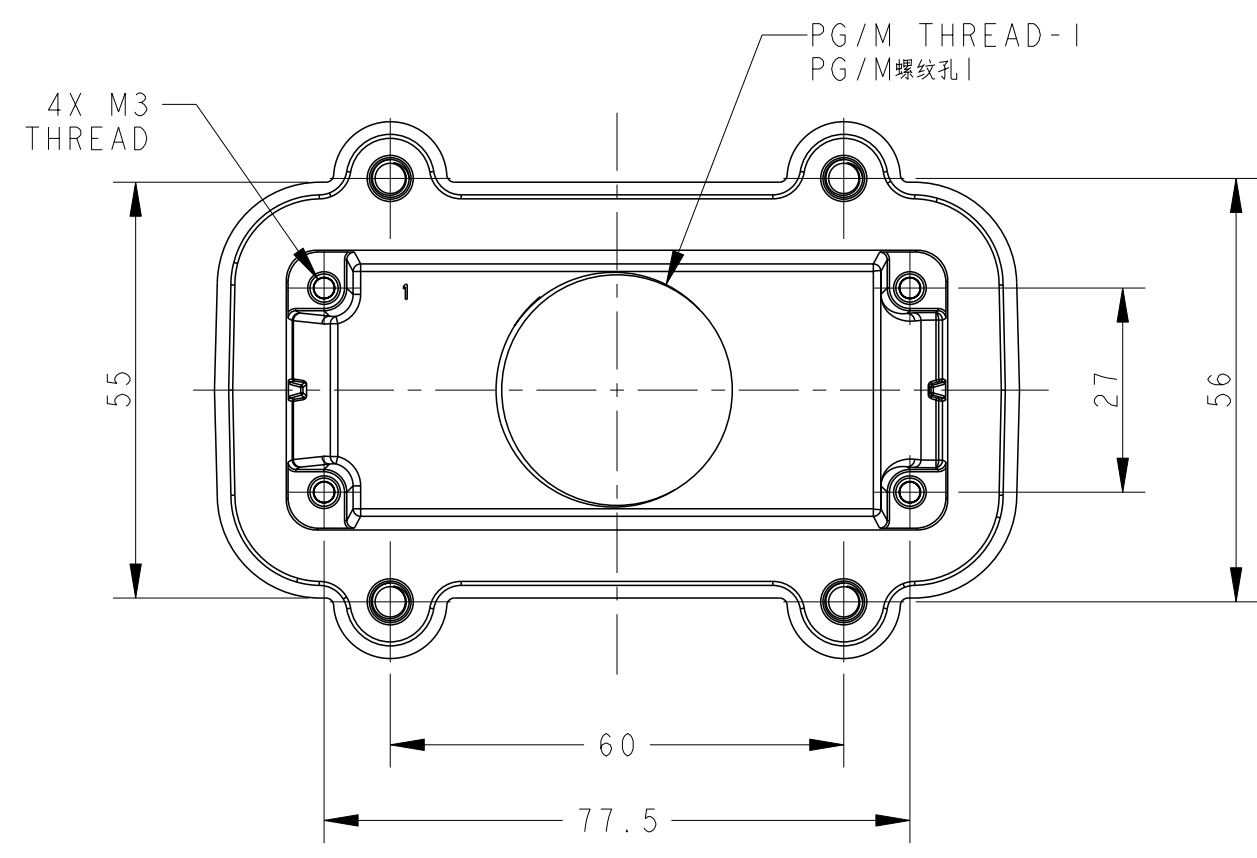
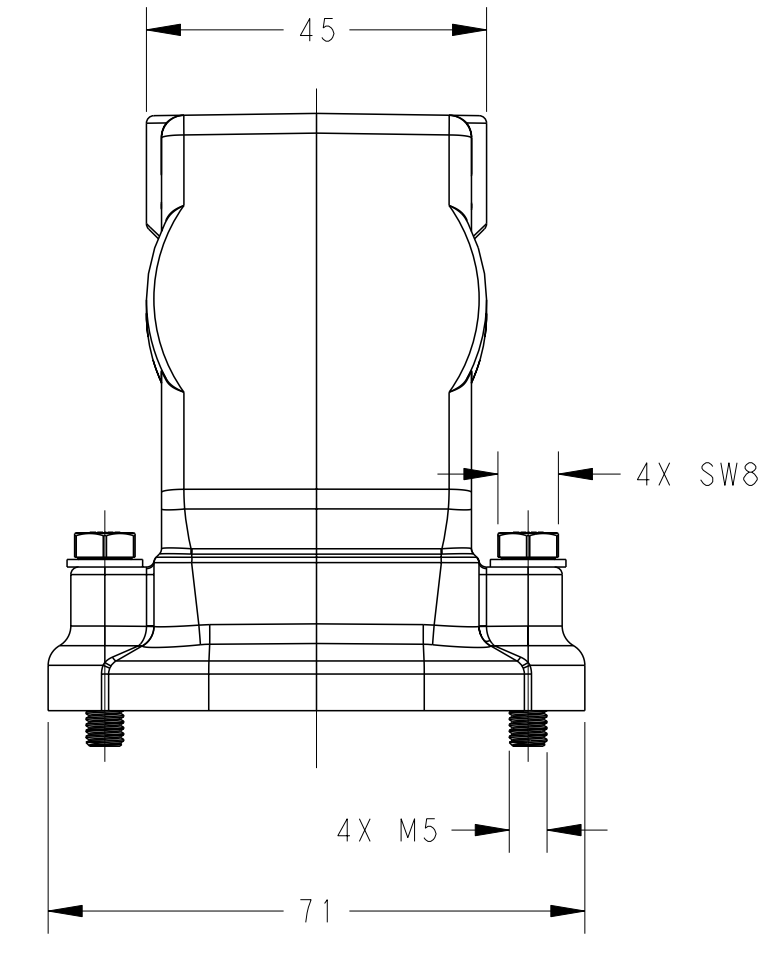
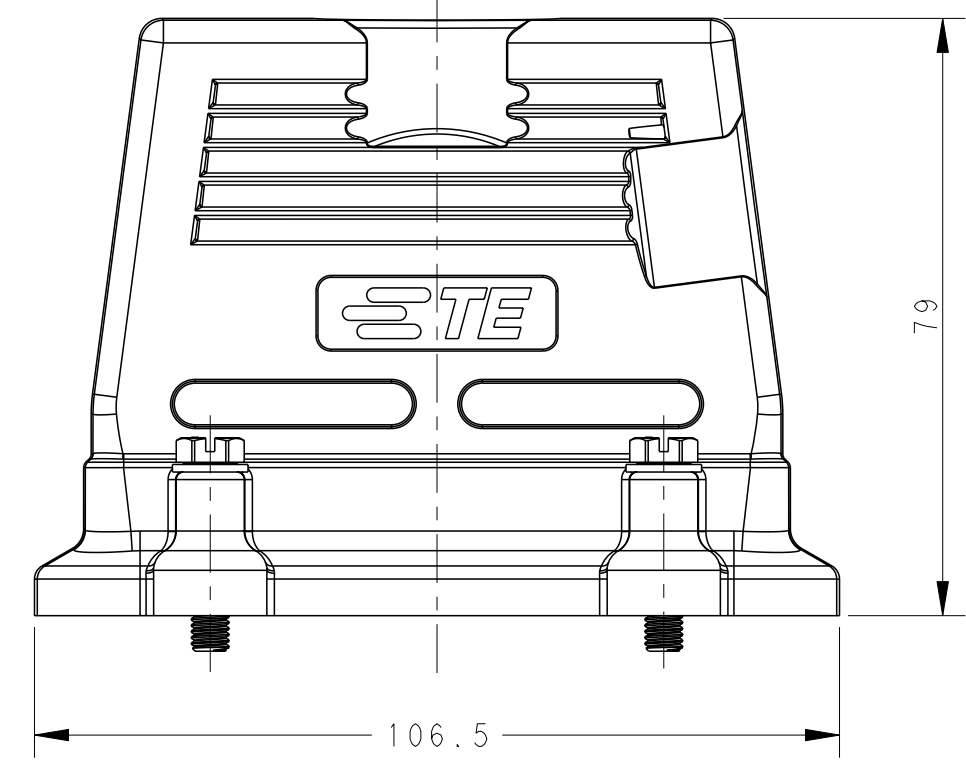


THIS DRAWING IS UNPUBLISHED. RELEASED FOR PUBLICATION 20
 © COPYRIGHT 20 BY - ALL RIGHTS RESERVED.

REVISIONS				
P	LTR	DESCRIPTION	DATE	APVD
A		INITIAL RELEASE	07NOV2016	DW CW



TYPE 1



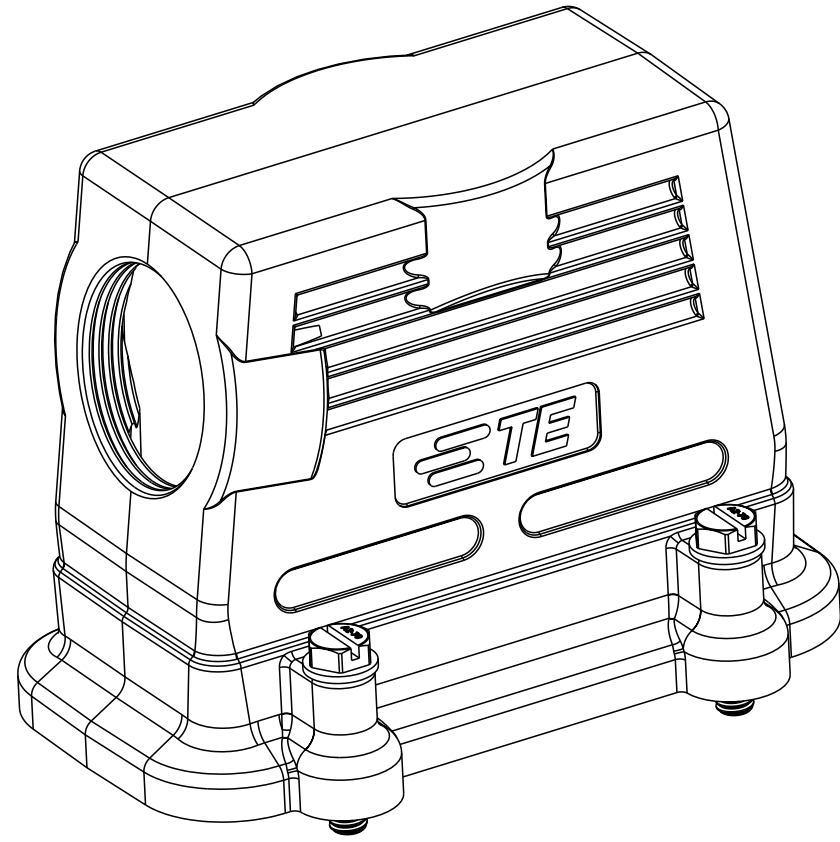
TYPE 1: H16B HOOD, TOP ENTRY, HIGH CONSTRUCTION
 SCREW CONNECTION, POWDER COATED, GREY
 类型 1: H16B 上壳, 顶出, 高结构, 螺丝连接, 灰色粉末喷涂

NOTES:
 1. TECHNICAL CHARACTERISTICS:
 HOOD MATERIAL: DIE CAST ALUMINIUM ALLOY
 SURFACE: POWDER COATED, GREY
 DEGREE OF PROTECTION: IP67 (MATED)
 注释:
 1. 技术参数:
 上壳材料: 铝合金
 表面处理: 灰色粉末喷涂
 防护等级: IP67 (配合)

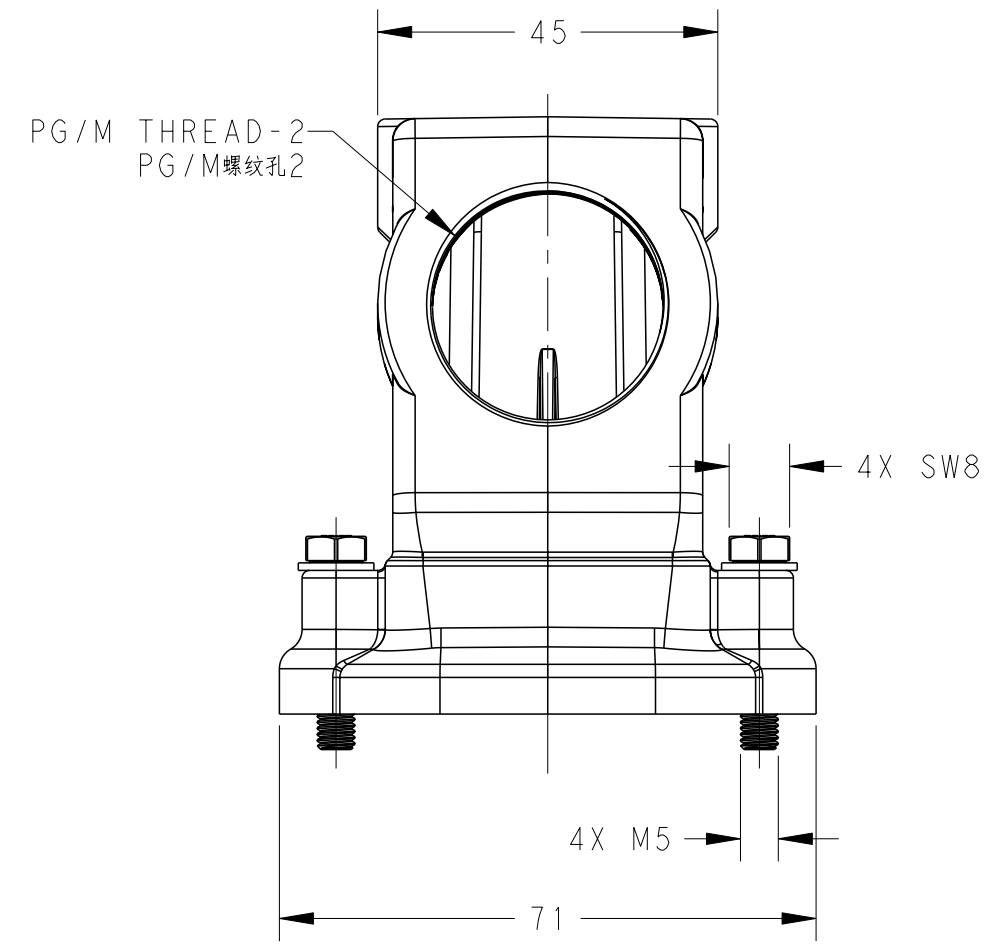
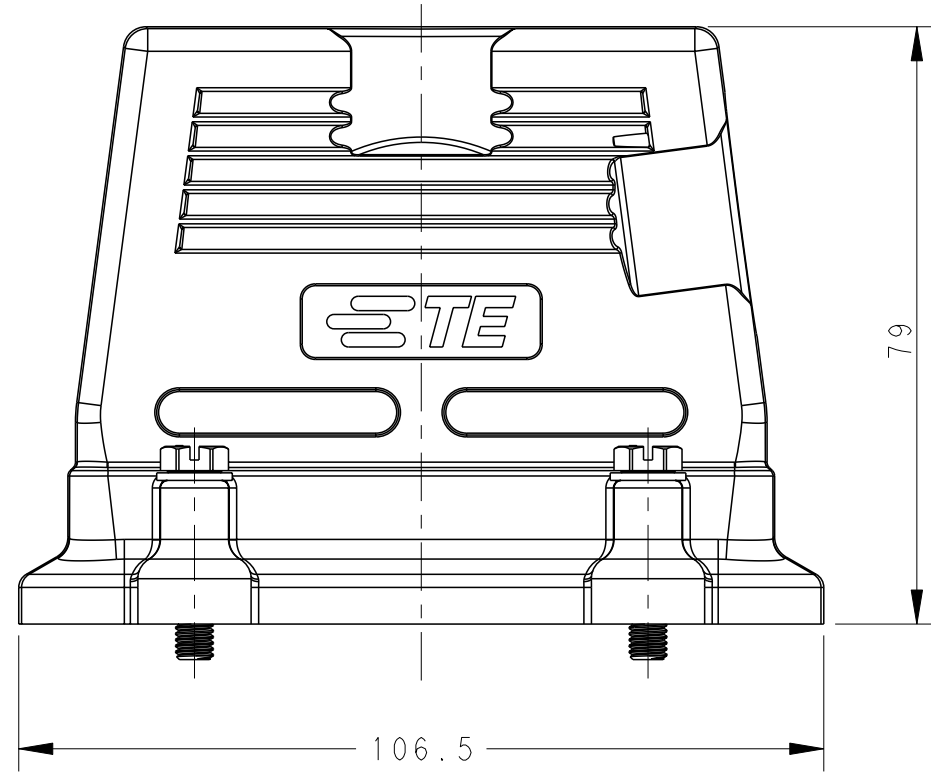
THIS DRAWING IS A CONTROLLED DOCUMENT.		DWN 07NOV2016 DAVID WANG	STE TE Connectivity	
DIMENSIONS: mm		CHK 07NOV2016 CHRIS WANG		
TOLERANCES UNLESS OTHERWISE SPECIFIED:		APVD 07NOV2016 XIANG XU	NAME H16B-TSH/TGH-S-PG/M	
0 PLC ±-		PRODUCT SPEC	SIZE CAGE CODE DRAWING NO RESTRICTED TO	
1 PLC ±-		108-137015	A200779 C-T11X01601XX000	
2 PLC ±-		APPLICATION SPEC	SCALE 1:1 SHEET 1 OF 3 REV A	
3 PLC ±-		114-137015		
4 PLC ±-		WEIGHT -		
ANGLES ±-		CUSTOMER DRAWING		
FINISH -				

THIS DRAWING IS UNPUBLISHED. RELEASED FOR PUBLICATION 20
 © COPYRIGHT 20 BY - ALL RIGHTS RESERVED.

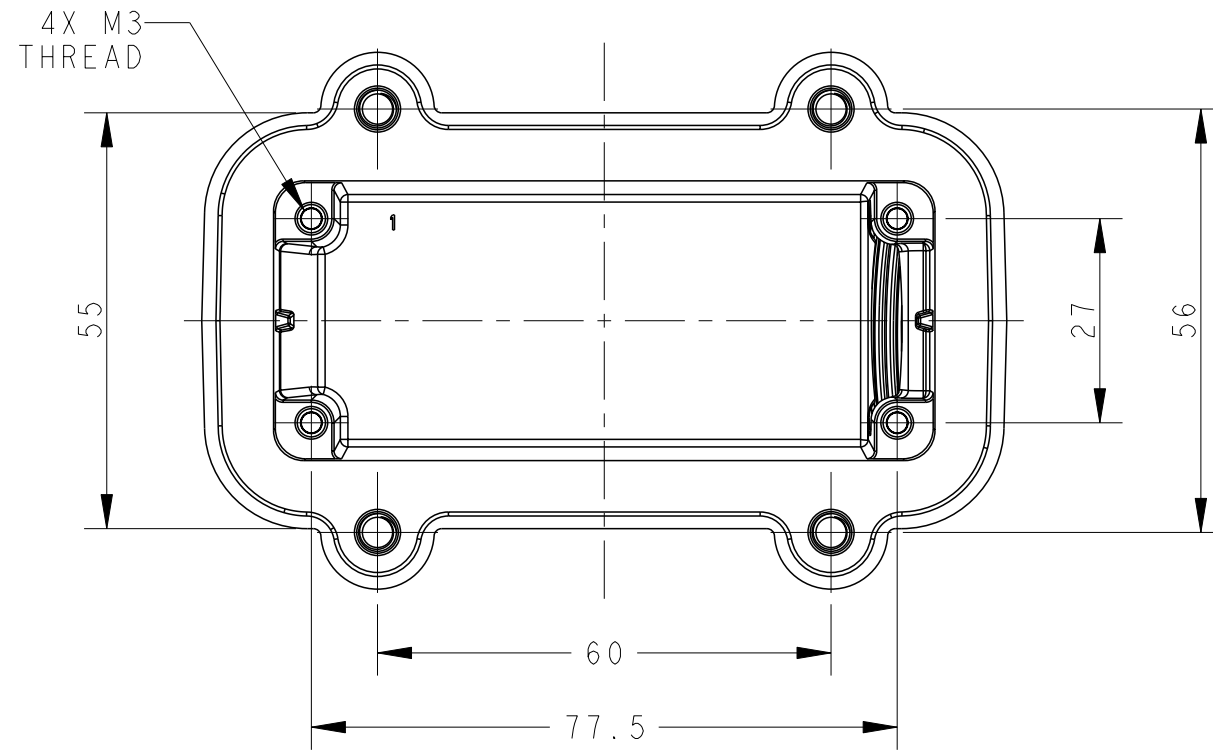
REVISIONS				
P	LTR	DESCRIPTION	DATE	APVD
-	-	SEE SHEET 1	-	-




TYPE 2



NOTES:
SEE SHEET 1



TYPE 2: H16B HOOD, SIDE ENTRY, HIGH CONSTRUCTION SCREW CONNECTION, POWDER COATED, GREY
 类型2: H16B上壳, 侧出, 高结构, 螺丝连接, 灰色粉末喷涂

THIS DRAWING IS A CONTROLLED DOCUMENT.		DWN 07NOV2016 DAVID WANG	 TE Connectivity	
DIMENSIONS: mm		CHK 07NOV2016 CHRIS WANG		
TOLERANCES UNLESS OTHERWISE SPECIFIED:		APVD 07NOV2016 XIANG XU	NAME H16B-TSH/TGH-S-PG/M	
0 PLC ±-		PRODUCT SPEC	108-137015	
1 PLC ±-		APPLICATION SPEC	114-137015	
2 PLC ±-		WEIGHT	-	
3 PLC ±-		CUSTOMER DRAWING	SCALE 1:1 SHEET 2 OF 3 REV A	
4 PLC ±-		RESTRICTED TO	-	
ANGLES ±-		SIZE	A200779	
FINISH		CAGE CODE	C-T11X01601XX000	

THIS DRAWING IS UNPUBLISHED. RELEASED FOR PUBLICATION 20
 © COPYRIGHT 20 BY - ALL RIGHTS RESERVED.

REVISIONS				
P	LTR	DESCRIPTION	DATE	APVD
-		SEE SHEET 1	-	-

NOTES:
SEE SHEET 1

T1120160121-000	H16B-TSH-S-PG21	H16B HOOD, SIDE ENTRY PG21, HIGH CONSTRUCTION, SCREW CONNECTION, POWDER COATED, GREY H16B上壳, 侧出PG21, 高结构, 螺丝连接, 灰色粉末喷涂	-	PG21	TYPE 2 类型2
T1120160129-000	H16B-TSH-S-PG29	H16B HOOD, SIDE ENTRY PG29, HIGH CONSTRUCTION, SCREW CONNECTION, POWDER COATED, GREY H16B上壳, 侧出PG29, 高结构, 螺丝连接, 灰色粉末喷涂	-	PG29	
T1120160125-000	H16B-TSH-S-M25	H16B HOOD, SIDE ENTRY M25, HIGH CONSTRUCTION, SCREW CONNECTION, POWDER COATED, GREY H16B上壳, 侧出M25, 高结构, 螺丝连接, 灰色粉末喷涂	-	M25	
T1120160132-000	H16B-TSH-S-M32	H16B HOOD, SIDE ENTRY M32, HIGH CONSTRUCTION, SCREW CONNECTION, POWDER COATED, GREY H16B上壳, 侧出M32, 高结构, 螺丝连接, 灰色粉末喷涂	-	M32	
T1120160140-000	H16B-TSH-S-M40	H16B HOOD, SIDE ENTRY M40, HIGH CONSTRUCTION, SCREW CONNECTION, POWDER COATED, GREY H16B上壳, 侧出M40, 高结构, 螺丝连接, 灰色粉末喷涂	-	M40	
T1130160121-000	H16B-TGH-S-PG21	H16B HOOD, TOP ENTRY PG21, HIGH CONSTRUCTION, SCREW CONNECTION, POWDER COATED, GREY H16B上壳, 顶出PG21, 高结构, 螺丝连接, 灰色粉末喷涂	PG21	-	TYPE 1 类型1
T1130160129-000	H16B-TGH-S-PG29	H16B HOOD, TOP ENTRY PG29, HIGH CONSTRUCTION, SCREW CONNECTION, POWDER COATED, GREY H16B上壳, 顶出PG29, 高结构, 螺丝连接, 灰色粉末喷涂	PG29	-	
T1130160125-000	H16B-TGH-S-M25	H16B HOOD, TOP ENTRY M25, HIGH CONSTRUCTION, SCREW CONNECTION, POWDER COATED, GREY H16B上壳, 顶出M25, 高结构, 螺丝连接, 灰色粉末喷涂	M25	-	
T1130160132-000	H16B-TGH-S-M32	H16B HOOD, TOP ENTRY M32, HIGH CONSTRUCTION, SCREW CONNECTION, POWDER COATED, GREY H16B上壳, 顶出M32, 高结构, 螺丝连接, 灰色粉末喷涂	M32	-	
T1130160140-000	H16B-TGH-S-M40	H16B HOOD, TOP ENTRY M40, HIGH CONSTRUCTION, SCREW CONNECTION, POWDER COATED, GREY H16B上壳, 顶出M40, 高结构, 螺丝连接, 灰色粉末喷涂	M40	-	
PART NUMBER 料号	PART DESCRIPTION 描述		PG/M THREAD-1 PG/M 螺纹孔1	PG/M THREAD-2 PG/M 螺纹孔2	TYPE 类型

THIS DRAWING IS A CONTROLLED DOCUMENT.

DWN	DAVID WANG	07NOV2016
CHK	CHRIS WANG	07NOV2016
APVD	XIANG XU	07NOV2016

STE TE Connectivity

NAME: H16B-TSH/TGH-S-PG/M

PRODUCT SPEC: 108-137015

APPLICATION SPEC: 114-137015

SIZE: A2 CAGE CODE: 00779 DRAWING NO: T11X01601XX000 RESTRICTED TO: -

WEIGHT: -

CUSTOMER DRAWING SCALE: 1:1 SHEET: 3 OF 3 REV: A

DIMENSIONS:	TOLERANCES UNLESS OTHERWISE SPECIFIED:
mm	0 PLC ±-
	1 PLC ±-
	2 PLC ±-
	3 PLC ±-
	4 PLC ±-
MATERIAL:	FINISH:
-	-
-	-

Mouser Electronics

Authorized Distributor

Click to View Pricing, Inventory, Delivery & Lifecycle Information:

[TE Connectivity:](#)

[T1120160129-000](#)