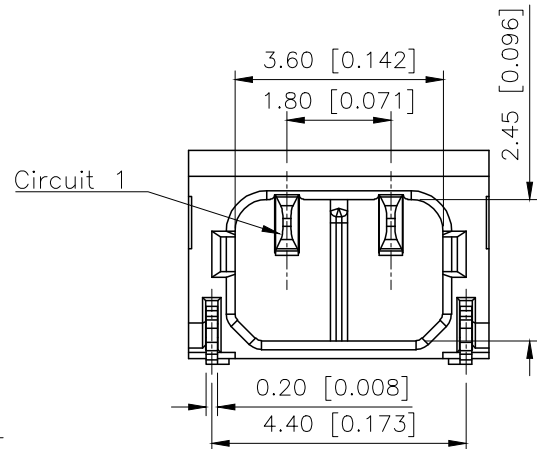
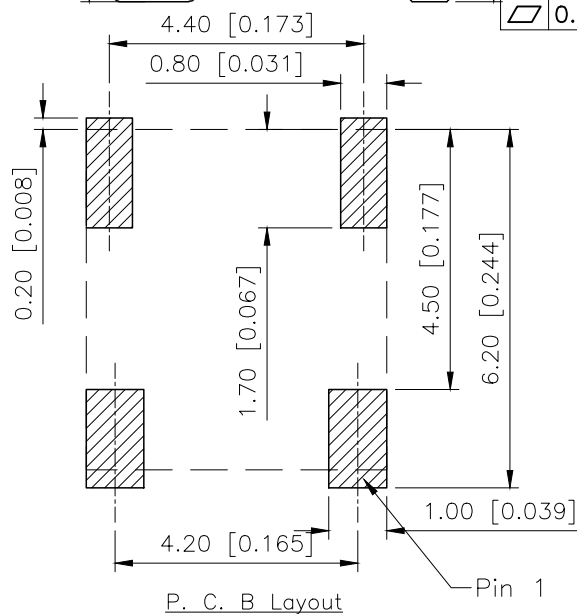
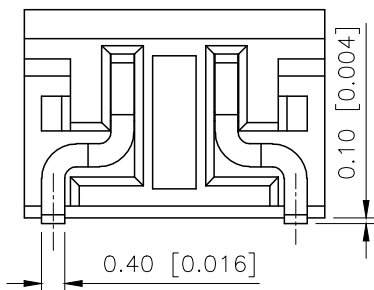
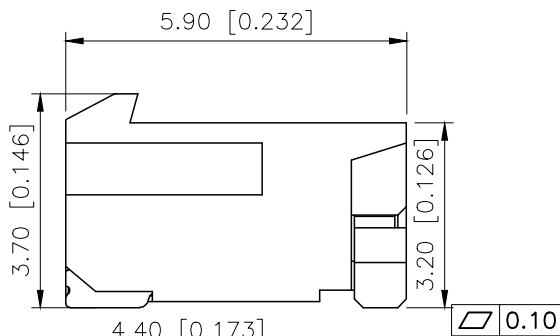
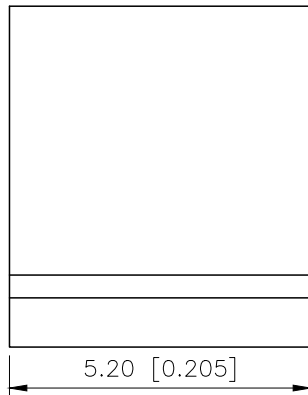
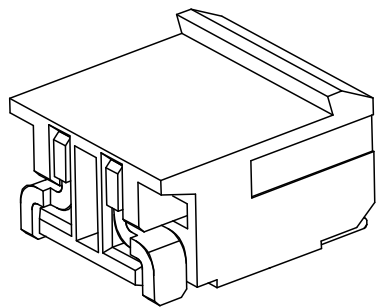


REVISIONS					
REV.	ECN NO.	LOCATION	DESCRIPTION	DATE	DESIGN
A0	N/A		INITIAL RELEASE	/	/
A1	N/A		图面升级整理图面	2024.12.18	阿树



Specifications:

规格:

Voltage rating:350V AC/DC  
 额定电压: 350V AC/DC  
 Current rating:4A AC/DC  
 额定电流: 4A AC/DC  
 Withstanding voltage:1700V AC/minute  
 耐受电压: 1700V AC/分钟  
 Temperature range:-40°C-+125°C  
 温度范围: -40°C-+125°C  
 Insulation resistance:1000MΩ min  
 绝缘电阻: 1000MΩ Min  
 Contact resistance:10mΩ Max  
 接触电阻: 10mΩ Max

PART NO.:

X1801 W R S-02 L-LP SN  
 ① ② ③ ④ ⑤ ⑥ ⑦ ⑧

- ①Series No
- ②Category:W-Wafer
- ③Welding Board Angle:R-Stright 90°
- ④Welding way :S-SMT
- ⑤Row No.Pin No.: 02Pin
- ⑥Special No:L-With Lock
- ⑦Material:LP-LCP
- ⑧Plating Category:SN-Tin Plating

X1801WRS-02L-LPSN	LCP	Copper alloy	Tin	X1801H	X1801T
PART NO	Material	Material(Pin)	Plating	Suitable XKB Housing	Suitable XKB Terminal

AuGLAR	±5°
X.	±0.40
X.x	±0.30
X.xx	±0.20
X.xxx	±0.15
UNSPECIFIED TOLERANCES	



DESIGN	阿树	VIEW:	
CHECKED		UNIT:	mm/in
APPROVED		SIZE:	A4

MODEL TYPE: 1.8mm Crimp Style Connector		
PART NO.: X1801WRS-02L-LPSN		
DWG NO.:		