

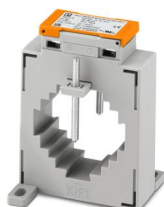
# PACT MCR-V2-6015- 85- 600-5A-1 - Current transformer



2277925

<https://www.phoenixcontact.com/us/products/2277925>

Please be informed that the data shown in this PDF document is generated from our online catalog. Please find the complete data in the user documentation. Our general terms of use for downloads are valid.



Window-type current transformer, 600 A AC primary current; 5 A AC secondary current; accuracy class 1; 10 VA rated power

## Commercial data

Item number	2277925
Packing unit	1 pc
Minimum order quantity	1 pc
Note	Made to order (non-returnable)
Sales key	C444
Product key	CK4A11
Catalog page	Page 215 (C-5-2019)
GTIN	4046356502290
Weight per piece (including packing)	346 g
Weight per piece (excluding packing)	250 g
Customs tariff number	85043129
Country of origin	DE

# PACT MCR-V2-6015- 85- 600-5A-1 - Current transformer



2277925

<https://www.phoenixcontact.com/us/products/2277925>

## Technical data

### Product properties

Product type	Current transformer
--------------	---------------------

### Data management status

Article revision	05
------------------	----

### Electrical properties

Rated insulation voltage	1 kV (Phase/neutral conductor)
--------------------------	--------------------------------

### General

Can be calibrated	no
Converter type	Window-type current transformer

### Input data

#### Current transformer

Rated power	10 VA
Thermal rated short-time current	$I_{th} = 60 * I_n$
Thermal rated continuous current	$I_d = 1.2 * I_n$
Rated surge current	$I_{dyn} = 2.5 * I_{th}$
Rated frequency $f_n$	50 Hz 60 Hz
Primary rated current $I_{pn}$	0 A AC ... 600 A AC
Can be calibrated	no
Converter type	Window-type current transformer

### Output data

#### Signal

Designation	Current output
Secondary rated current $I_{sn}$	5 A AC
Surge current limitation factor	FS 5
Accuracy class	1

### Connection data

Connection method	Screw connection
Conductor cross section flexible	2x 10 mm <sup>2</sup> (Secondary terminals)
Tightening torque	2 Nm

### Dimensions

#### Item dimensions

Width	31 mm
Height	110 mm

# PACT MCR-V2-6015- 85- 600-5A-1 - Current transformer



2277925

<https://www.phoenixcontact.com/us/products/2277925>

Depth	85 mm
-------	-------

## Item dimensions with alternative mounting

Width	85 mm
Height	110 mm
Depth	31 mm

## Copper rail

Width	60 mm
Height	15 mm

## Copper rail 2

Width	50 mm
Height	10 mm

## Copper rail 3

Width	40 mm
Height	40 mm

## Circular conductor

Diameter	52 mm
----------	-------

## Material specifications

Color	gray (RAL 7042)
Housing material	PA 6.6

## Environmental and real-life conditions

### Ambient conditions

Ambient temperature (operation)	-25 °C ... 40 °C
Ambient temperature (storage/transport)	-25 °C ... 40 °C
Altitude	≤ 1000 m
Permissible humidity (operation)	Use only indoors, non-condensing
Insulating material class	H

## Approvals

### CE

Certificate	CE-compliant
-------------	--------------

### UKCA

Certificate	UKCA-compliant
-------------	----------------

### UL, USA/Canada

Identification	XODW8.E323953
----------------	---------------

## Standards and regulations

Standards/regulations	EN 61869
-----------------------	----------

# PACT MCR-V2-6015- 85- 600-5A-1 - Current transformer



2277925

<https://www.phoenixcontact.com/us/products/2277925>

## Mounting

Mounting type	DIN rail mounting
	Wall mounting

# PACT MCR-V2-6015- 85- 600-5A-1 - Current transformer

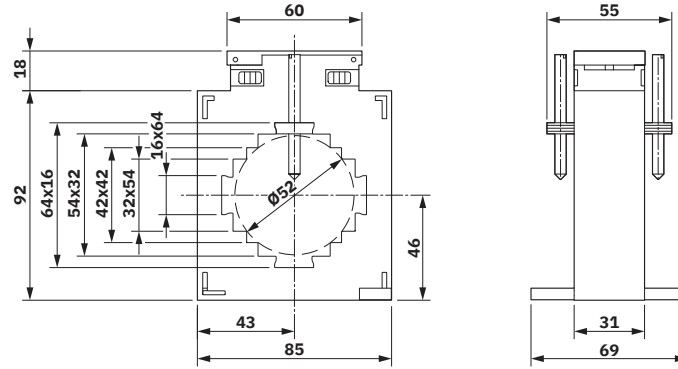


2277925

<https://www.phoenixcontact.com/us/products/2277925>

## Drawings

Dimensional drawing



# PACT MCR-V2-6015- 85- 600-5A-1 - Current transformer



2277925

<https://www.phoenixcontact.com/us/products/2277925>

## Approvals

To download certificates, visit the product detail page: <https://www.phoenixcontact.com/us/products/2277925>



**EAC**

Approval ID: RU\*DE\*08.B.01187/19



**cULus Recognized**

Approval ID: E323953

# PACT MCR-V2-6015- 85- 600-5A-1 - Current transformer



2277925

<https://www.phoenixcontact.com/us/products/2277925>

## Classifications

### ECLASS

ECLASS-11.0	27210902
ECLASS-13.0	27210902
ECLASS-12.0	27210902

### ETIM

ETIM 9.0	EC002048
----------	----------

### UNSPSC

UNSPSC 21.0	39121000
-------------	----------

# PACT MCR-V2-6015- 85- 600-5A-1 - Current transformer



2277925

<https://www.phoenixcontact.com/us/products/2277925>

## Environmental product compliance

### EU RoHS

Fulfills EU RoHS substance requirements	Yes, No exemptions
---	--------------------

### China RoHS

Environment friendly use period (EFUP)	EFUP-E
	No hazardous substances above the limits

### EU REACH SVHC

REACH candidate substance (CAS No.)	No substance above 0.1 wt%
-------------------------------------	----------------------------

Phoenix Contact 2024 © - all rights reserved  
<https://www.phoenixcontact.com>

Phoenix Contact USA  
586 Fulling Mill Road  
Middletown, PA 17057, United States  
(+717) 944-1300  
[info@phoenixcon.com](mailto:info@phoenixcon.com)