

4

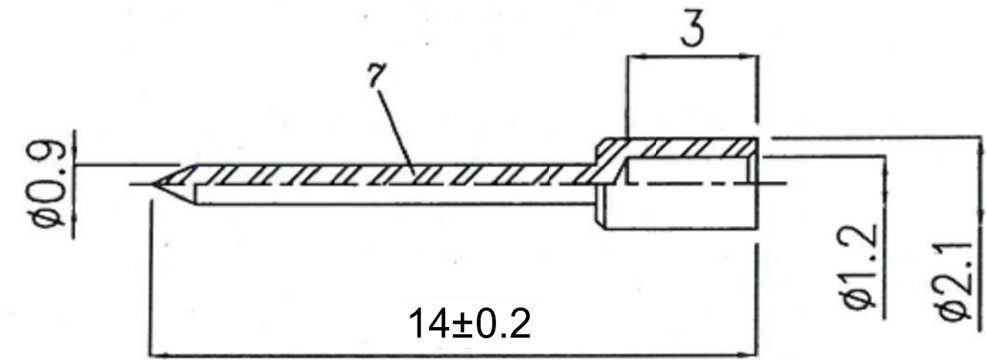
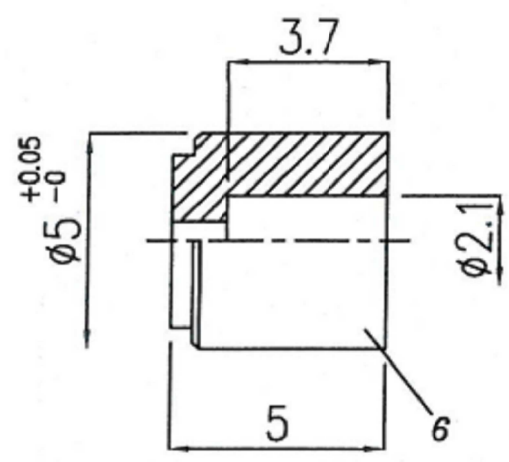
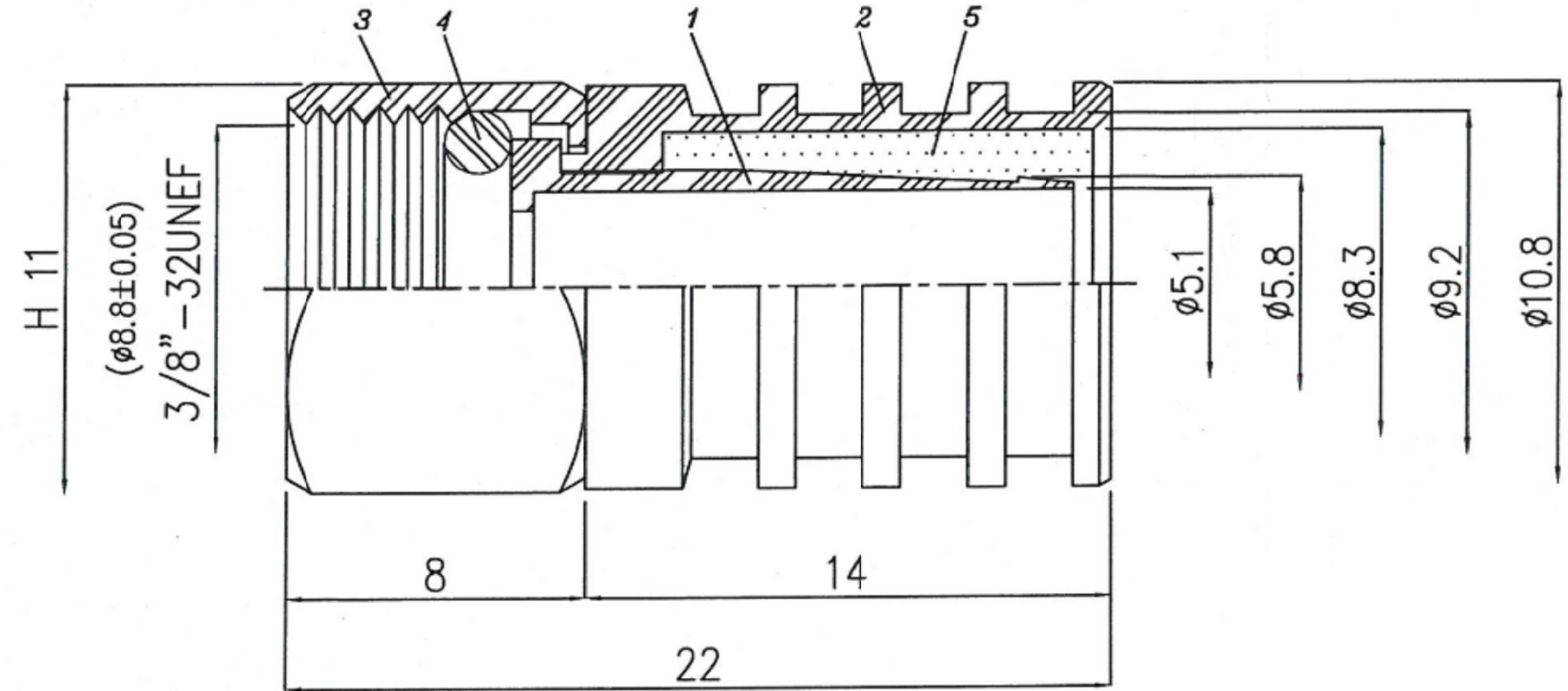
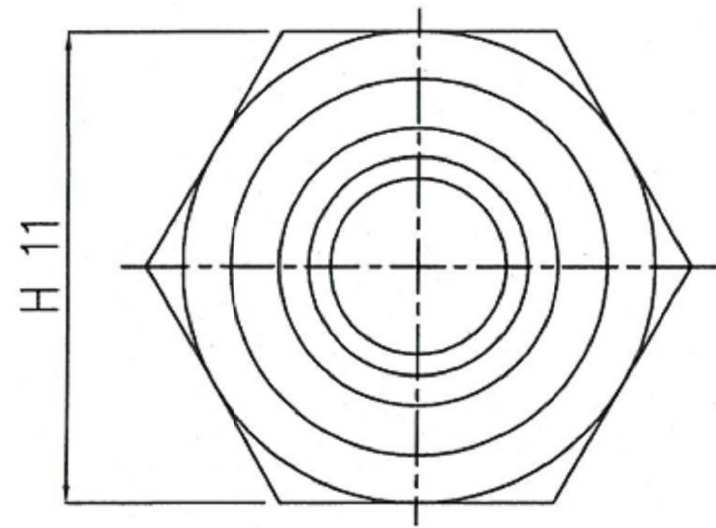
3

2

1

THIS DRAWING IS UNPUBLISHED. RELEASED FOR PUBLICATION
 © COPYRIGHT - By - ALL RIGHTS RESERVED.

LOC	DIST	REVISIONS					
		P	LTR	DESCRIPTION	DATE	DWN	APVD
H	-	B1		ECR-12-005726	27MAR12	RK	MY
		C		ECR-15-005331	03APR15	GSK	MLE



QTY	No.	Description	Material	Plating
1	1	Body1	Brass	Tin Nickel min 100µ"
1	2	Body2	Brass	Tin Nickel min 100µ"
1	3	Nut	Brass	Tin Nickel min 100µ"
1	4	Waterproof seal, red	Silicon	-
1	5	Dielectric 1	Silicon	-
1	6	Dielectric 2	PTFE	-
1	7	Center Contact	Brass	SEE NOTE 4

619316-2 ← Connector Part Number

- Notes:
- Connector shall meet requirement of IEC 61169-24
 - Connector RoHS complaint, Directive 2002/95/EC
 - Center contact to be crimped
 - Gold → ① Copper Plate 1µ~3µ thick
 ② Nickel Plate 1µ~3µ thick over
 ③ Gold Plate 0.2µ~0.5µ thick over

THIS DRAWING IS A CONTROLLED DOCUMENT.		DWN D.Bozzer 13.06.08	TE Connectivity NAME F Cable Plug	
DIMENSIONS: mm		CHK -		
TOLERANCES UNLESS OTHERWISE SPECIFIED: 0 PLC ±- 1 PLC ±- DIN ISO 2 PLC ±- 2768mH 3 PLC ±- 4 PLC ±- ANGLES ±- FINISH -		PRODUCT SPEC 108-71082	RESTRICTED TO -	
MATERIAL -		WEIGHT -	APPLICATION SPEC -	SIZE A3
		CUSTOMER DRAWING		CAGE CODE 00779
				DRAWING NO C-619316
				SCALE NTS
				SHEET 1 of 1
				REV C