



# 54LS257A/DM54LS257B/DM74LS257B, 54LS258A/DM54LS258B/DM74LS258B TRI-STATE® Quad 2-Data Selectors/Multiplexers

## General Description

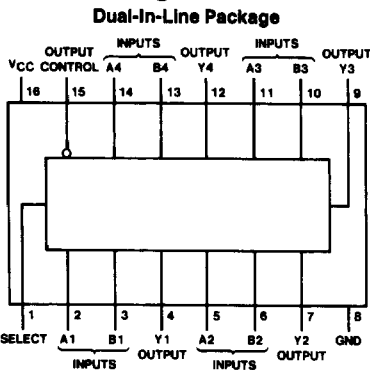
These Schottky-clamped high-performance multiplexers feature TRI-STATE outputs that can interface directly with data lines of bus-organized systems. With all but one of the common outputs disabled (at a high impedance state), the low impedance of the single enabled output will drive the bus line to a high or low logic level. To minimize the possibility that two outputs will attempt to take a common bus to opposite logic levels, the output enable circuitry is designed such that the output disable times are shorter than the output enable times.

This TRI-STATE output feature means that n-bit (paralleled) data selectors with up to 258 sources can be implemented for data buses. It also permits the use of standard TTL registers for data retention throughout the system.

## Features

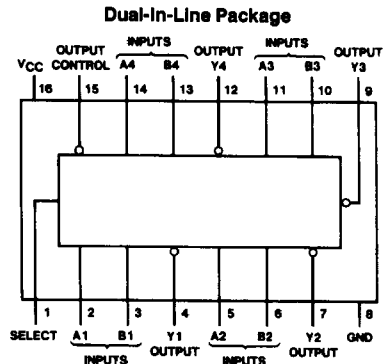
- TRI-STATE versions LS157 and LS158 with same pin-outs
- Schottky-clamped for significant improvement in A-C performance
- Provides bus interface from multiple sources in high-performance systems
- Average propagation delay from data input 12 ns
- Typical power dissipation
  - LS257B 50 mW
  - LS258B 35 mW
- Alternate military/aerospace devices (54LS257A/54LS258A) are available. Contact a National Semiconductor Sales Office/Distributor for specifications.

## Connection Diagrams



TL/F/6417-1

Order Number 54LS257ADMQB, 54LS257AFMQB,  
54LS257ALMQB, DM54LS257BJ, DM54LS257BW,  
DM74LS257BM or DM74LS257BN  
See NS Package Number E20A, J16A,  
M16A, N16E or W16A



TL/F/6417-2

Order Number 54LS258ADMQB, 54LS258AFMQB,  
54LS258ALMQB, DM54LS258BJ, DM54LS258BW,  
DM74LS258BM or DM74LS258BN  
See NS Package Number E20A, J16A,  
M16A, N16E or W16A

## Function Table

Output Control	Inputs		Output Y		
	Select	A	B	LS257	LS258
H	X	X	X	Z	Z
L	L	L	X	L	H
L	L	H	X	H	L
L	H	X	L	L	H
L	H	X	H	H	L

H = High Level, L = Low Level, X = Don't Care,  
Z = High Impedance (off)

## Absolute Maximum Ratings (Note)

If Military/Aerospace specified devices are required, please contact the National Semiconductor Sales Office/Distributors for availability and specifications.

Supply Voltage 7V

Input Voltage 7V

Operating Free Air Temperature Range

DM54LS and 54LS -55°C to +125°C

DM74LS 0°C to +70°C

Storage Temperature Range -65°C to +150°C

Note: The "Absolute Maximum Ratings" are those values beyond which the safety of the device cannot be guaranteed. The device should not be operated at these limits. The parametric values defined in the "Electrical Characteristics" table are not guaranteed at the absolute maximum ratings. The "Recommended Operating Conditions" table will define the conditions for actual device operation.

## Recommended Operating Conditions

Symbol	Parameter	DM54LS257B			DM74LS257B			Units
		Min	Nom	Max	Min	Nom	Max	
V <sub>CC</sub>	Supply Voltage	4.5	5	5.5	4.75	5	5.25	V
V <sub>IH</sub>	High Level Input Voltage	2			2			V
V <sub>IL</sub>	Low Level Input Voltage			0.7			0.8	V
I <sub>OH</sub>	High Level Output Current			-1			-2.6	mA
I <sub>OL</sub>	Low Level Output Current			12			24	mA
T <sub>A</sub>	Free Air Operating Temperature	-55		125	0		70	°C

## 'LS257B Electrical Characteristics

over recommended operating free air temperature range (unless otherwise noted)

Symbol	Parameter	Conditions	Min	Typ (Note 1)	Max	Units
V <sub>I</sub>	Input Clamp Voltage	V <sub>CC</sub> = Min, I <sub>I</sub> = -18 mA			-1.5	V
V <sub>OH</sub>	High Level Output Voltage	V <sub>CC</sub> = Max, I <sub>OH</sub> = Max V <sub>IL</sub> = Max, V <sub>IH</sub> = Min	DM54 2.4	3.4		V
V <sub>OL</sub>	Low Level Output Voltage	V <sub>CC</sub> = Max, I <sub>OL</sub> = Max V <sub>IL</sub> = Max, V <sub>IH</sub> = Min	DM54	0.25	0.4	V
			DM74	0.35	0.5	
I <sub>I</sub>	Input Current @ Max Input Voltage	V <sub>CC</sub> = Max, V <sub>I</sub> = 7V	DM74	0.25	0.4	mA
			Select		0.2	
I <sub>IH</sub>	High Level Input Current	V <sub>CC</sub> = Max, V <sub>I</sub> = 2.7V	Select		40	μA
			Other		20	
I <sub>IL</sub>	Low Level Input Current	V <sub>CC</sub> = Max, V <sub>I</sub> = 0.4V	Select		-0.8	mA
			Other		-0.4	
I <sub>OZH</sub>	Off-State Output Current with High Level Output Voltage Applied	V <sub>CC</sub> = Max, V <sub>O</sub> = 2.7V V <sub>IH</sub> = Min, V <sub>IL</sub> = Max			20	μA
I <sub>OZL</sub>	Off-State Output Current with Low Level Output Voltage Applied	V <sub>CC</sub> = Max, V <sub>O</sub> = 0.4V V <sub>IH</sub> = Min, V <sub>IL</sub> = Max			-20	μA
I <sub>OS</sub>	Short Circuit Output Current	V <sub>CC</sub> = Max (Note 2)	DM54	-20	-100	mA
			DM74	-20	-100	
I <sub>CCH</sub>	Supply Current with Outputs High	V <sub>CC</sub> = Max (Note 3)		5.9	10	mA
I <sub>CCL</sub>	Supply Current with Outputs Low	V <sub>CC</sub> = Max (Note 3)		9.2	16	mA
I <sub>CCZ</sub>	Supply Current with Outputs Disabled	V <sub>CC</sub> = Max (Note 3)		12	19	mA

Note 1: All typicals are at V<sub>CC</sub> = 5V, T<sub>A</sub> = 25°C.

Note 2: Not more than one output should be shorted at a time, and the duration should not exceed one second.

Note 3: I<sub>CC</sub> is measured with all outputs open and all possible inputs grounded, while achieving the stated output conditions.

**'LS257B Switching Characteristics**at  $V_{CC} = 5V$  and  $T_A = 25^\circ C$  (See Section 1 for Test Waveforms and Output Load)

Symbol	Parameter	From (Input) To (Output)	$R_L = 667\Omega$				Units
			$C_L = 45\text{ pF}$		$C_L = 150\text{ pF}$		
			Min	Max	Min	Max	
$t_{PLH}$	Propagation Delay Time Low to High Level Output	Data to Output		18		27	ns
$t_{PHL}$	Propagation Delay Time High to Low Level Output	Data to Output		18		27	ns
$t_{PLH}$	Propagation Delay Time Low to High Level Output	Select to Output		28		35	ns
$t_{PHL}$	Propagation Delay Time High to Low Level Output	Select to Output		35		42	ns
$t_{PZH}$	Output Enable Time to High Level Output	Output Control to Y		15		27	ns
$t_{PZL}$	Output Enable Time to Low Level Output	Output Control to Y		28		38	ns
$t_{PHZ}$	Output Disable Time from High Level Output (Note 1)	Output Control to Y		26			ns
$t_{PLZ}$	Output Disable Time from Low Level Output (Note 1)	Output Control to Y		25			ns

Note 1:  $C_L = 5\text{ pF}$ .**Recommended Operating Conditions**

Symbol	Parameter	DM54LS258B			DM74LS258B			Units
		Min	Nom	Max	Min	Nom	Max	
$V_{CC}$	Supply Voltage	4.5	5	5.5	4.75	5	5.25	V
$V_{IH}$	High Level Input Voltage	2			2			V
$V_{IL}$	Low Level Input Voltage			0.7			0.8	V
$I_{OH}$	High Level Output Current			-1			-2.6	mA
$I_{OL}$	Low Level Output Current			12			24	mA
$T_A$	Free Air Operating Temperature	-55		125	0		70	$^\circ C$

**'LS258B Electrical Characteristics**

over recommended operating free air temperature range (unless otherwise noted)

Symbol	Parameter	Conditions	Min	Typ (Note 1)	Max	Units	
$V_I$	Input Clamp Voltage	$V_{CC} = \text{Min}, I_I = -18\text{ mA}$			-1.5	V	
$V_{OH}$	High Level Output Voltage	$V_{CC} = \text{Min}, I_{OH} = \text{Max}$ $V_{IL} = \text{Max}, V_{IH} = \text{Min}$	DM54	2.4	3.4	V	
			DM74	2.4	3.1		
$V_{OL}$	Low Level Output Voltage	$V_{CC} = \text{Min}, I_{OL} = \text{Max}$ $V_{IL} = \text{Max}, V_{IH} = \text{Min}$	DM54		0.25	0.4	V
			DM74		0.35	0.5	
				$I_{OL} = 12\text{ mA}, V_{CC} = \text{Min}$	DM74		
$I_I$	Input Current @ Max Input Voltage	$V_{CC} = \text{Max},$ $V_I = 7V$	Select			0.2	mA
			Other			0.1	
$I_{IH}$	High Level Input Current	$V_{CC} = \text{Max},$ $V_I = 2.7V$	Select			40	$\mu A$
			Other			20	

**'LS258B Electrical Characteristics**

over recommended operating free air temperature range (unless otherwise noted) (Continued)

Symbol	Parameter	Conditions	Min	Typ (Note 1)	Max	Units
$I_{IL}$	Low Level Input Current	$V_{CC} = \text{Max},$ $V_I = 0.4V$	Select		-0.8	mA
			Other		-0.4	
$I_{OZH}$	Off-State Output Current with High Level Output Voltage Applied	$V_{CC} = \text{Max}, V_O = 2.7V$ $V_{IH} = \text{Min}, V_{IL} = \text{Max}$			20	$\mu A$
$I_{OZL}$	Off-State Output Current with Low Level Output Voltage Applied	$V_{CC} = \text{Max}, V_O = 0.4V$ $V_{IH} = \text{Min}, V_{IL} = \text{Max}$			-20	$\mu A$
$I_{OS}$	Short Circuit Output Current	$V_{CC} = \text{Max}$ (Note 2)	DM54	-20	-100	mA
			DM74	-20	-100	
$I_{CCH}$	Supply Current with Outputs High	$V_{CC} = \text{Max}$ (Note 3)		4.1	7	mA
$I_{CCL}$	Supply Current with Outputs Low	$V_{CC} = \text{Max}$ (Note 3)		9	14	mA
$I_{CCZ}$	Supply Current with Outputs Disabled	$V_{CC} = \text{Max}$ (Note 3)		12	19	mA

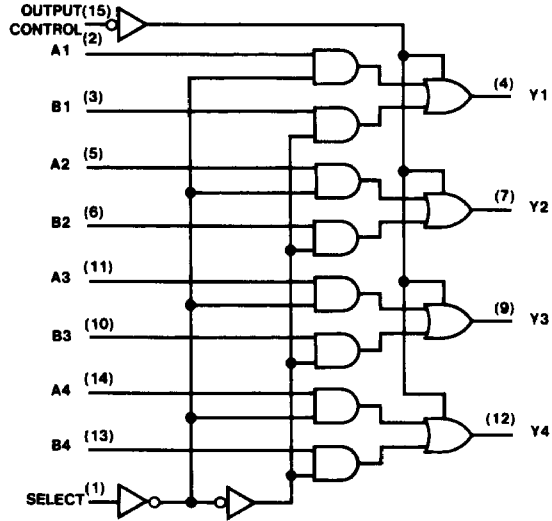
**Note 1:** All typicals are at  $V_{CC} = 5V, T_A = 25^\circ C$ .**Note 2:** Not more than one output should be shorted at a time, and the duration should not exceed one second.**Note 3:**  $I_{CC}$  is measured with all outputs open and all possible inputs grounded, while achieving the stated output conditions.**'LS258B Switching Characteristics**at  $V_{CC} = 5V$  and  $T_A = 25^\circ C$  (See Section 1 for Test Waveforms and Output Load)

Symbol	Parameter	From (Input) To (Output)	$R_L = 667\Omega$				Units
			$C_L = 45\text{ pF}$		$C_L = 150\text{ pF}$		
			Min	Max	Min	Max	
$t_{PLH}$	Propagation Delay Time Low to High Level Output	Data to Output		18		27	ns
$t_{PHL}$	Propagation Delay Time High to Low Level Output	Data to Output		18		27	ns
$t_{PLH}$	Propagation Delay Time Low to High Level Output	Select to Output		28		35	ns
$t_{PHL}$	Propagation Delay Time High to Low Level Output	Select to Output		35		42	ns
$t_{PZH}$	Output Enable Time to High Level Output	Output Control to Y		15		27	ns
$t_{PZL}$	Output Enable Time to Low Level Output	Output Control to Y		28		38	ns
$t_{PHZ}$	Output Disable Time from High Level Output (Note 4)	Output Control to Y		26			ns
$t_{PLZ}$	Output Disable Time from Low Level Output (Note 4)	Output Control to Y		25			ns

**Note 4:**  $C_L = 5\text{ pF}$ .

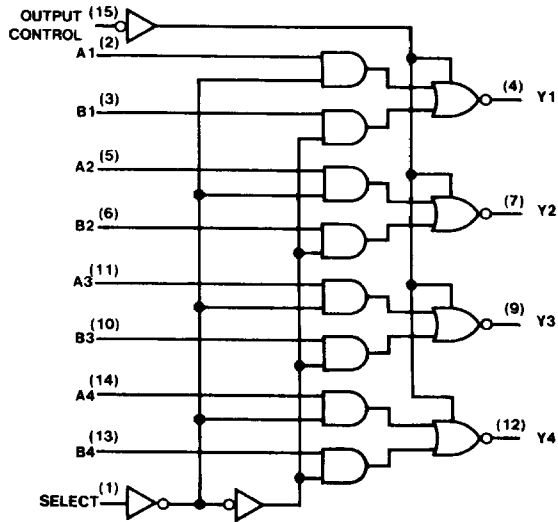
Logic Diagrams

LS257B



TL/F/6417-3

LS258B



TL/F/6417-4