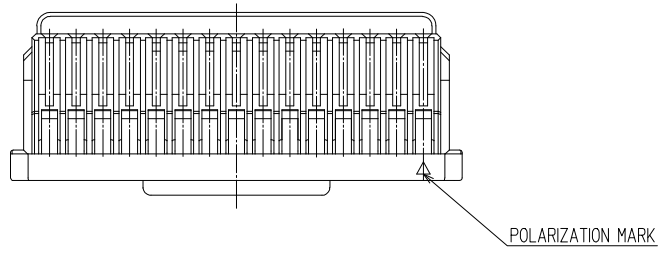
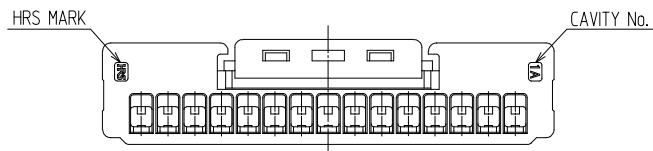
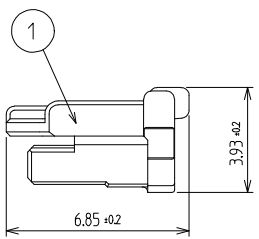
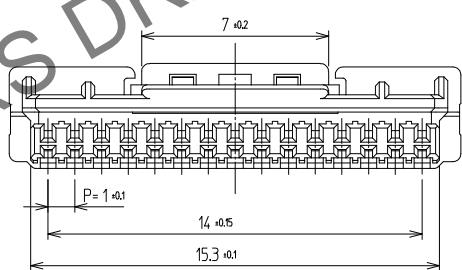
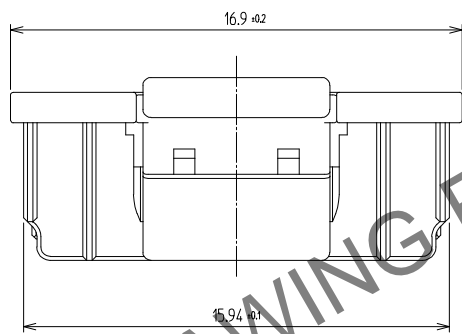


△數		訂正事項			擔當 檢圖			年月日			△數		訂正事項			擔當 檢圖			年月日		
△數	DESCRIPTION	OF	REVISIONS	B	Y	CHKD	DATE	△數	DESCRIPTION	OF	REVISIONS	B	Y	CHKD	DATE						
△								△													
△								△													
△								△													



- NOTE
- 1.PACK CONTAINS 1,000PCS.
 - UL(File No. E132750) AUTHORIZATION ARTICLE.
 - C-UL(File No. E132750) AUTHORIZATION ARTICLE.



1	PA66	UL94-V0, BLACK						
NO.	MATERIAL	FINISH,REMARKS	NO.	MATERIAL	FINISH,REMARKS			
CODE NO. (OLD)			DRAWN	DESIGNED	CHECKED	APPROVED	RELEASED	
			CHOI 20.06.15 S.W	CHOI 20.06.15 S.W	LIM 20.06.15 S.M	LIM 20.06.15 S.M		
DRAWING NO.		EDC3-633106		PART NO.		KW30-15P-1C (800)		
SCALE	5:1		CODE NO		CL 6669-0043-3-800		1/1	
UNITS	mm		HRS HIROSE KOREA CO.,LTD.					