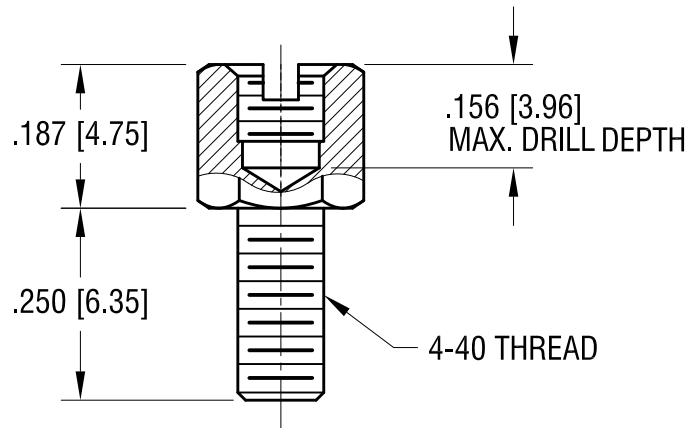
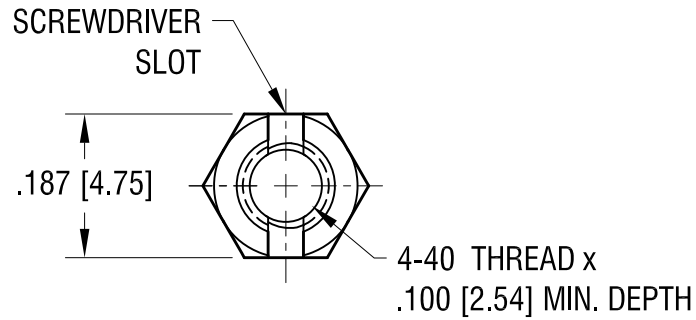


THIS DOCUMENT IS THE PROPERTY OF  
KEYSTONE ELECTRONICS CORP. AND  
SHALL NOT BE REPRODUCED, DISTRIBUTED  
OR USED AS A BASIS FOR MANUFACTURE  
WITHOUT PRIOR WRITTEN PERMISSION  
FROM KEYSTONE ELECTRONICS CORP.

ACTUAL SIZE



**KEYSTONE ELECTRONICS CORP.**

www.keyelco.com • NEW HYDE PARK, NY 11040 • Tel (516) 328-7500

PART NAME

JACK SCREW W/ SLOT

MATERIAL

STEEL

FINISH

ZINC PLATE  
CLEAR CHROMATE

DRN BY

BOONE

DATE

3.10.06

APP'D

RH

SCALE

4X

12.14.23

CHANGE AS PER ECN 23-313

A

TOLERANCES

INCH [MM]

CODE

DWG NO.

DECIMAL ± .005 [± 0.13]

C

ANGULAR ± 1°  
UNLESS OTHERWISE SPECIFIED

**7275**

DATE

DESCRIPTION

REV.