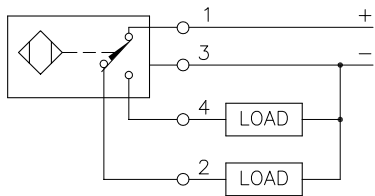
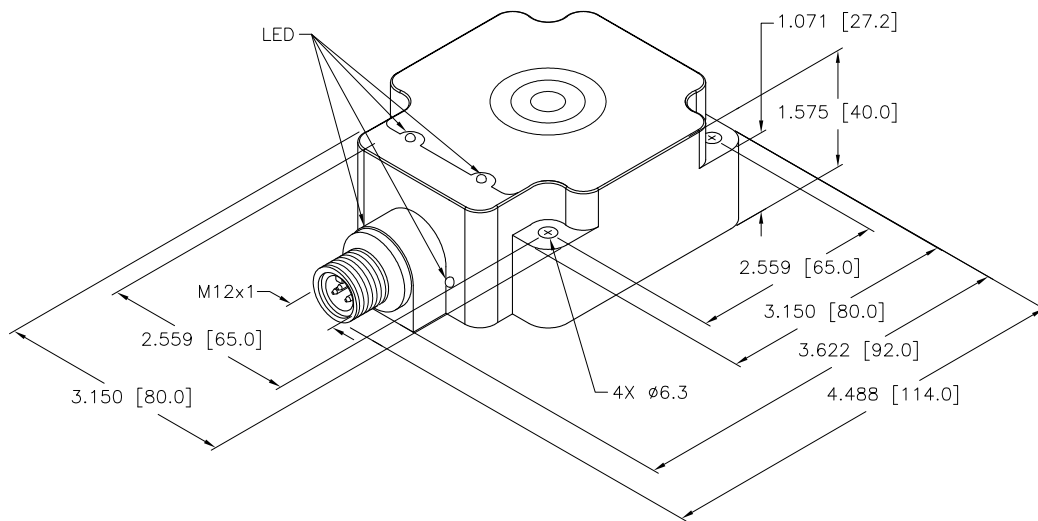


WIRING DIAGRAM



OUTPUT: VP4X2

SHORT-CIRCUIT AND OVERLOAD PROTECTED



SPECIFICATIONS

HYSTERESIS	3-15%
MIN. REPEAT ACCURACY	≤2%
MAX. RELATIVE TEMPERATURE DRIFT	≤ ±10% C° ≤ ±15%, ≤ 25 C° v ≥ +70 C°
OPERATING TEMPERATURE	-25°C to +70°C (-13°F to +158°F)
OPERATING VOLTAGE	10-65 VDC
RIPPLE	≤10%
RATED OPERATIONAL CURRENT	≤ 200 mA
NO-LOAD CURRENT	≤ 15 mA
MAX. OFF STATE CURRENT	≤ 0.1 mA
MAX. SWITCHING FREQUENCY	≤ 0.25 kHz
RATED INSULATION VOLTAGE	≤ 0.5 kV
OUTPUT FUNCTION	4-WIRE, COMPLEMENTARY, PNP
SHORT-CIRCUIT PROTECTED	YES
MAX. VOLTAGE DROP	≤ 1.8 V
WIRE-BREAK PROTECTION	INCORPORATED
REVERSE POLARITY PROTECTION	INCORPORATED
HOUSING MATERIAL	PLASTIC, PBT-GF30-V0
ACTIVE FACE	PLASTIC, PBT-GF30-V0
VIBRATION RESISTANCE	55 Hz, 1 mm AMPLITUDE (IN ALL 3 PLANES)
SHOCK RESISTANCE	30 g, 11 ms
DEGREE OF PROTECTION	IP 68
RATED OPERATING DISTANCE	70 mm
MOUNTING MODE	NON-FLUSH
SUPPLY VOLTAGE INDICATION	LED, GREEN
SWITCHING STATUS INDICATION	LED, YELLOW

SOURCE DRAWING - FOR REFERENCE ONLY

RELATED DOCUMENTS 1. 2. 3. 4.	3RD ANGLE PROJECTION 	THIS DRAWING IS PROPERTY OF TURCK INC. USE OF THIS DOCUMENT WITHOUT WRITTEN PERMISSION IS PROHIBITED.		3000 CAMPUS DRIVE MINNEAPOLIS, MN 55441 1-800-544-7769 (763) 553-7300 (763) 553-0708 fax turck.com	
	MATERIAL PBT-GF30-V0 PLASTIC	ALL DIMENSIONS DISPLAYED ON THIS DRAWING ARE FOR REFERENCE ONLY CONTACT TURCK FOR MORE INFORMATION	DRFT RDS DSGN BT	DATE 05/15/03 SCALE NONE	DESCRIPTION Ni70U-Q80-VP4X2-H1141
FINISH	UNIT OF MEASUREMENT INCH [MILLIMETER]		IDENTIFICATION NO. M1625833		REV B
DO NOT SCALE THIS DRAWING		FILE: M1625833		SHEET 1 OF 1	

B	UPDATE SPECS, SEE REDLINE	RDS	06/16/11	35386
REV	DESCRIPTION	BY	DATE	ECO NO.