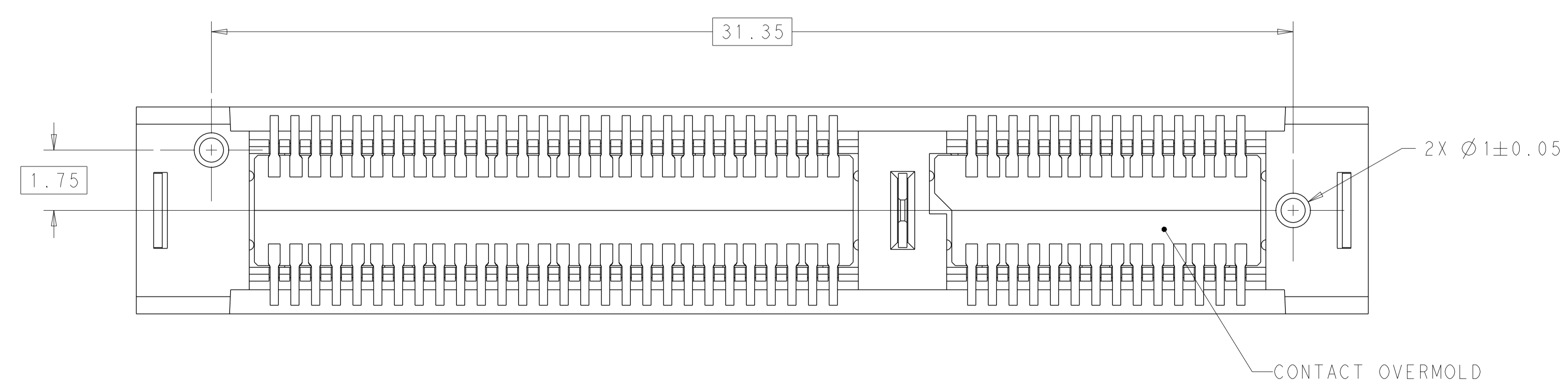
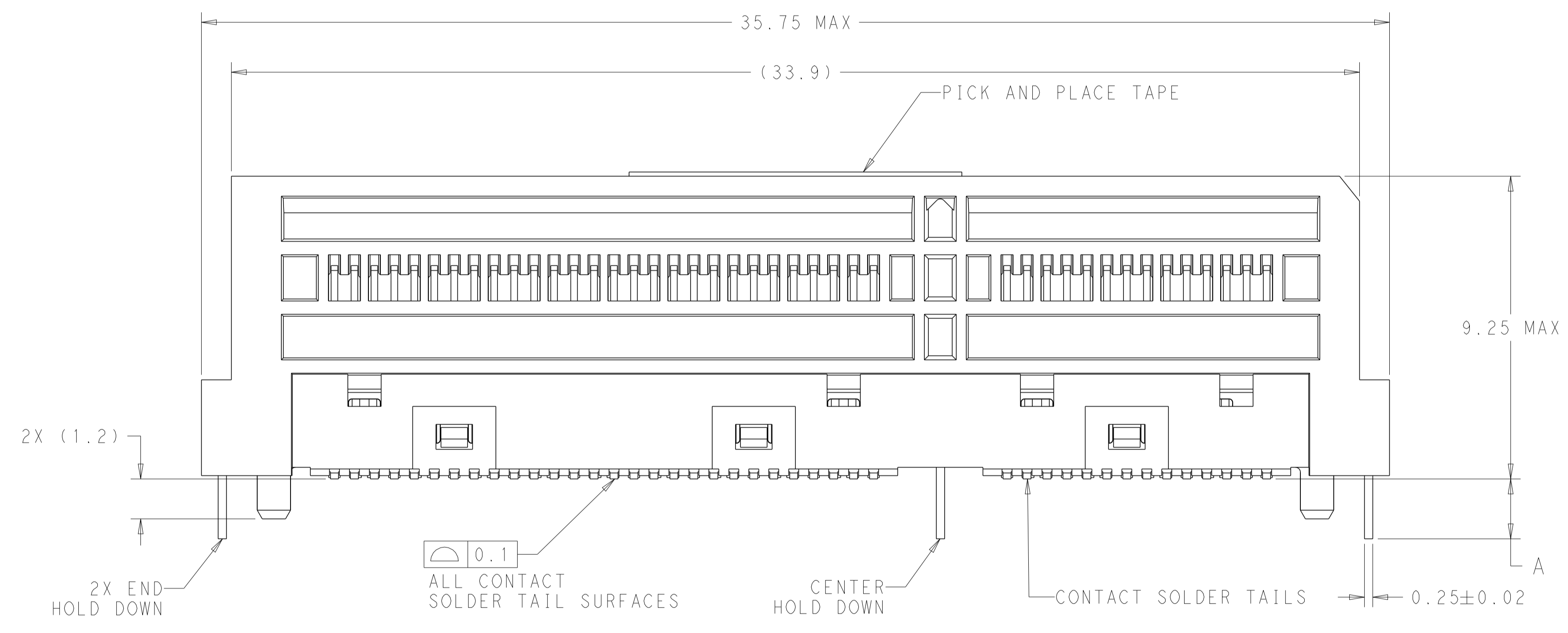
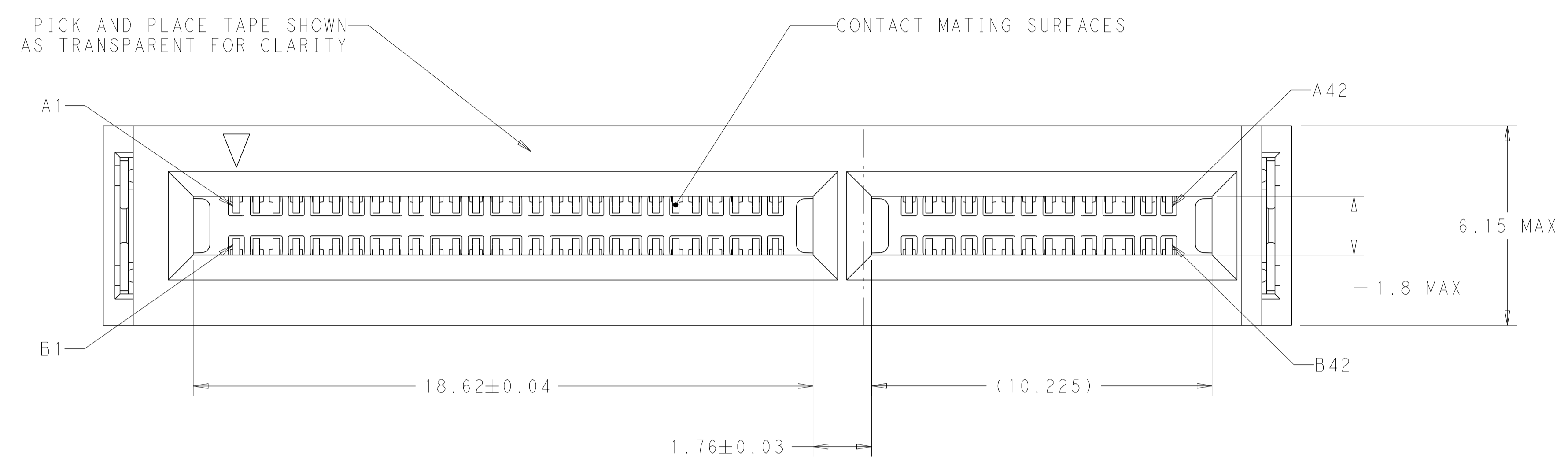
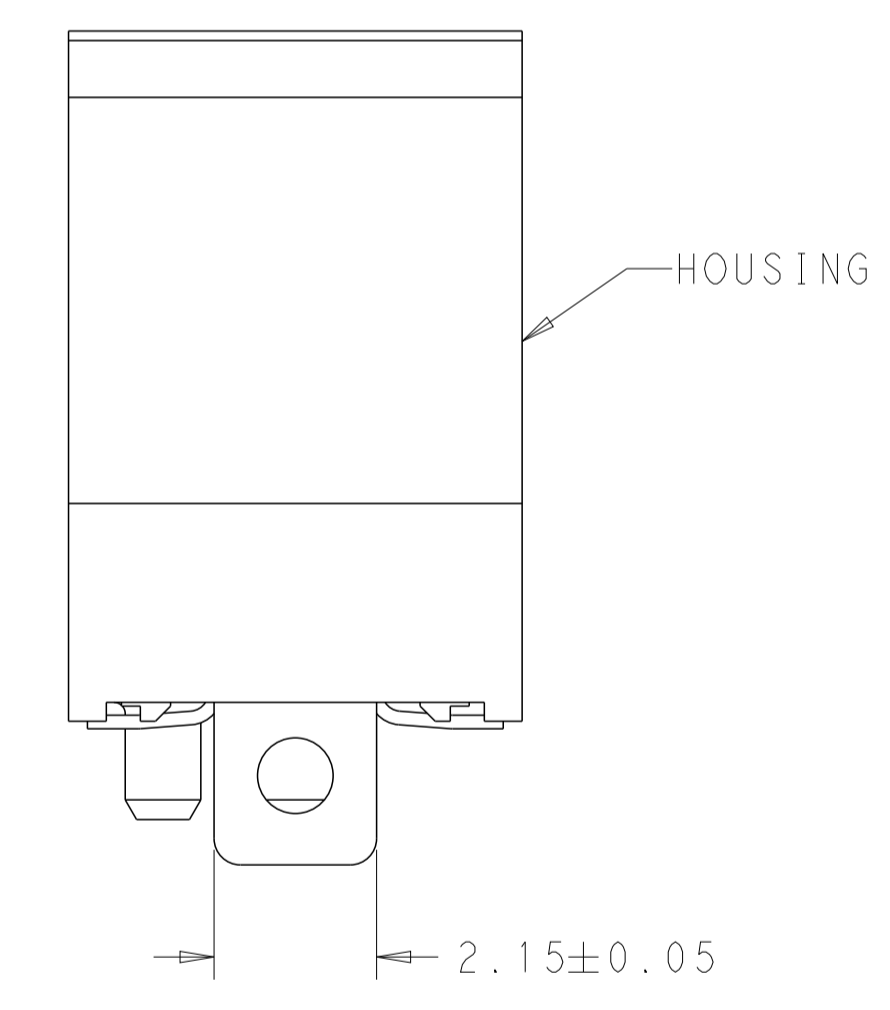


REVISIONS				
P	LTN	DESCRIPTION	DATE	APVD
A		RELEASED	17MAY2019	CJV JW
B		REVISED PER ECO-19-011736	07AUG2019	AP JW
C		REVISED PER ECO-20-015351	28OCT2020	TX DZ
C1		REVISED PER ECN-23-222332	18JUL2023	TX DZ



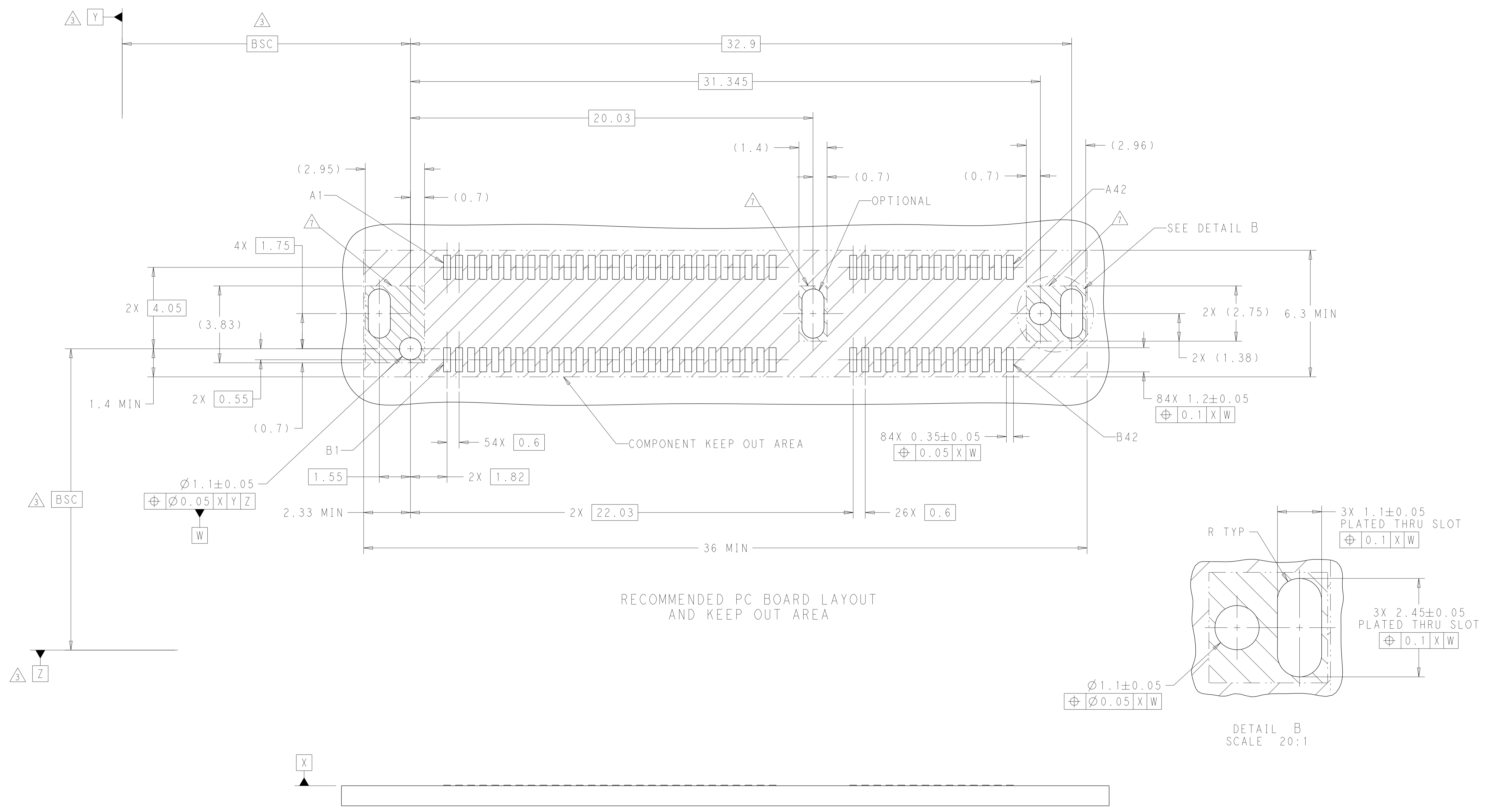
- ⚠ HOUSING AND CONTACT OVERMOLDS - LCP, UL94-V0, BLACK. CONTACTS AND HOLD DOWNS - COPPER ALLOY. PICK AND PLACE TAPE - POLYIMIDE FILM.
- ⚠ CONTACTS - GOLD PLATE ON MATING SURFACES, TIN PLATE ON SOLDER FEET. HOLD DOWNS - TIN PLATE.
- ⚠ DATUMS AND BASIC DIMENSIONS ESTABLISHED BY CUSTOMER.
- 4. MINIMUM HOST PCB THICKNESS: 1.5.
- ⚠ SEE MSA SPECIFICATION FOR ADDITIONAL PADDLE CARD LAYOUTS COMPATIBLE WITH THIS RECEPTACLE AND FOR OPTIONAL SPLIT CONTACT PAD LAYOUTS FOR THE PADDLE CARD. SPECIFICATION PINOUT MAY ALSO DESIGNATE PAD SEQUENCE DIFFERENT FROM ILLUSTRATION.
- ⚠ POSITIONS DESIGNATED AS "SIGNAL" ARE REQUIRED LOCATIONS FOR HIGH SPEED DIFFERENTIAL PAIR SIGNALING. THESE LOCATIONS MAY ALSO BE USED FOR SUPPORTING SIDEBAND SIGNALS OR OTHER UTILITY PURPOSES. POSITIONS DESIGNATED AS "GROUND" ARE REQUIRED WHEN SUPPORTING HIGH SPEED DIFFERENTIAL SIGNALS. THESE LOCATIONS MAY ALSO BE USED FOR SIDEBAND SIGNALS OR OTHER UTILITY PURPOSES.
- ⚠ COMPONENT AND TRACE KEEP OUT AREA. EACH EDGE 0.15 MIN FROM EDGE OF HOLE.
- ⚠ TAPE AND REEL PACKAGED FOR PICK AND PLACE SMT PROCESSING, SEE FIGURE 1. POCKET TAPE WIDTH = 56.



SEE SHEET 4 FOR PART TABLE

THIS DRAWING IS A CONTROLLED DOCUMENT.		OWN: C. VALENTINE 16JAN2018	TE Connectivity
		CHK: D. HARMON 16JAN2018	
DIMENSIONS:		APVD: D. HARMON 16JAN2018	NAME: RECEPTACLE ASSEMBLY, VERTICAL, 84 POSITION, SLIVER 2.0 PRODUCT SPEC: - APPLICATION SPEC: -
TOLERANCES UNLESS OTHERWISE SPECIFIED: 0 PLC ±. 1 PLC ±0.25 2 PLC ±0.20 3 PLC ±0.15 4 PLC ±. ANGLES ±. FINISH ±.		108-130021 114-130008	
MATERIAL		WEIGHT	SIZE: A1 CAGE CODE: - DRAWING NO: C=2327678 RESTRICTED TO: -
CUSTOMER DRAWING		SCALE: 10:1	SHEET 1 OF 4 REV: C1

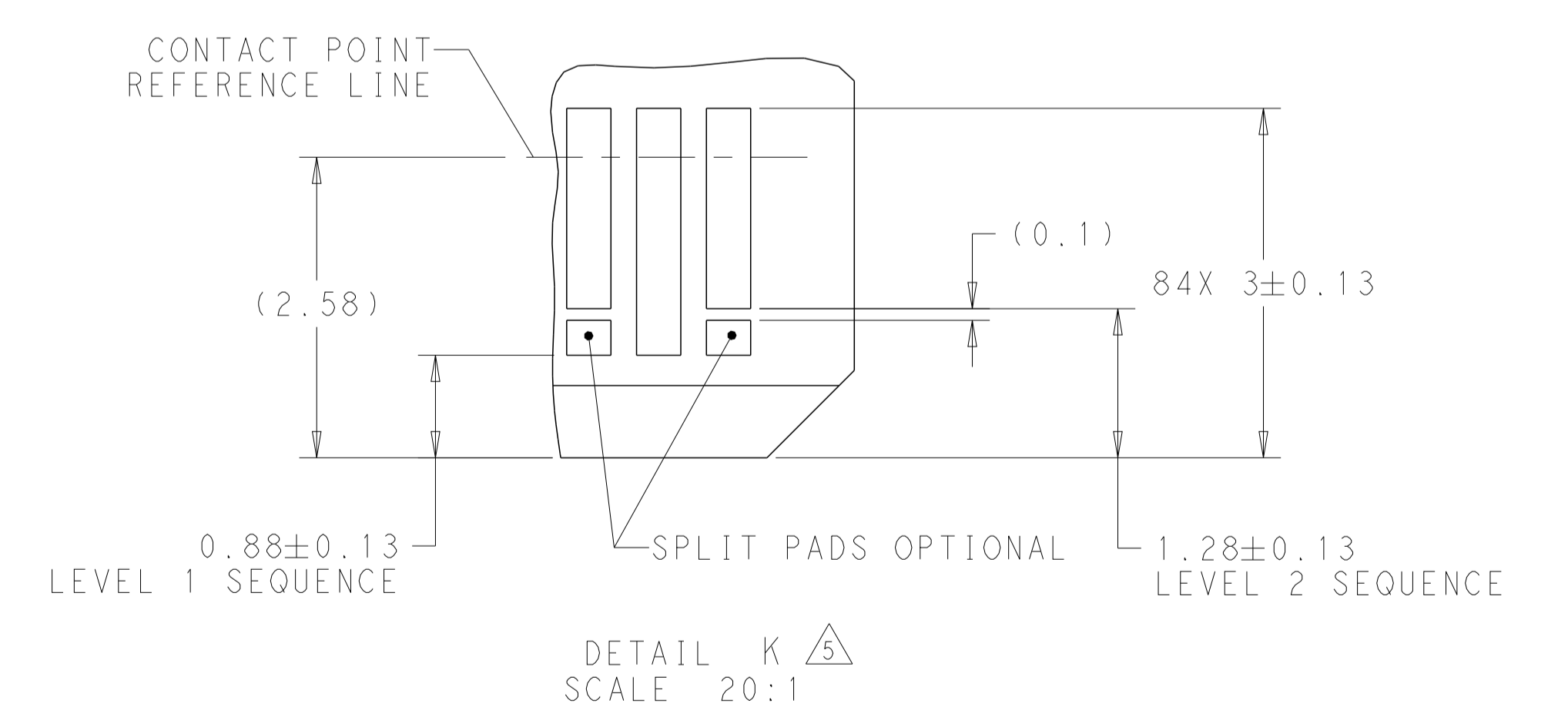
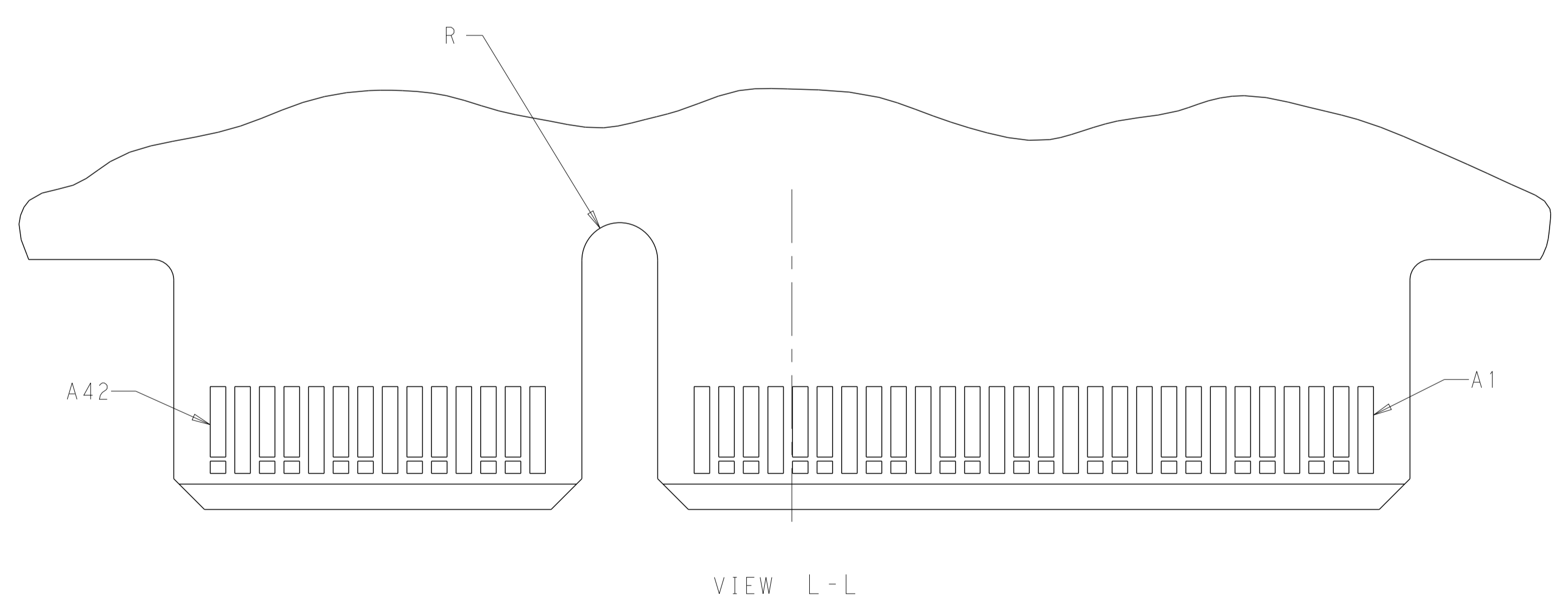
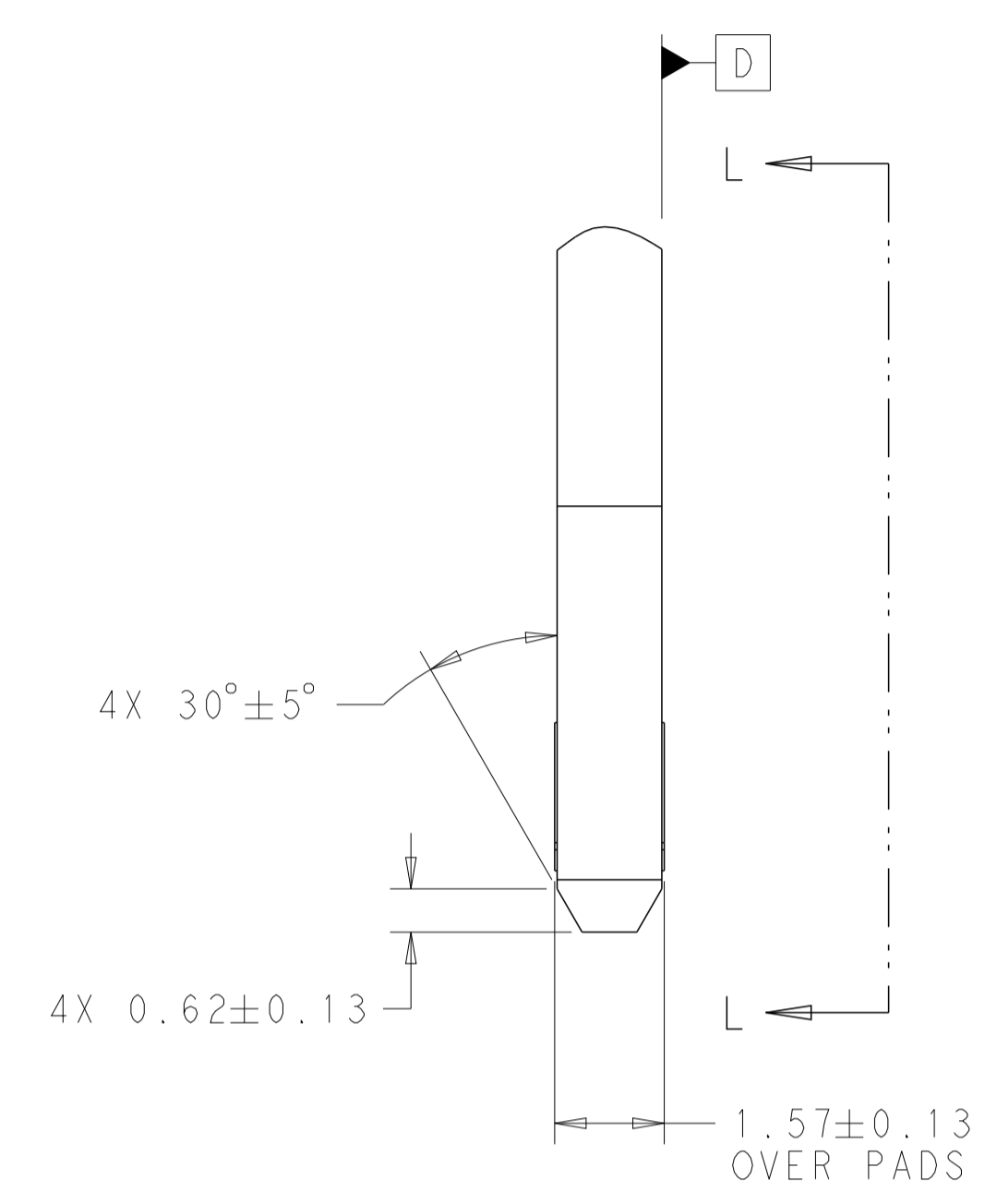
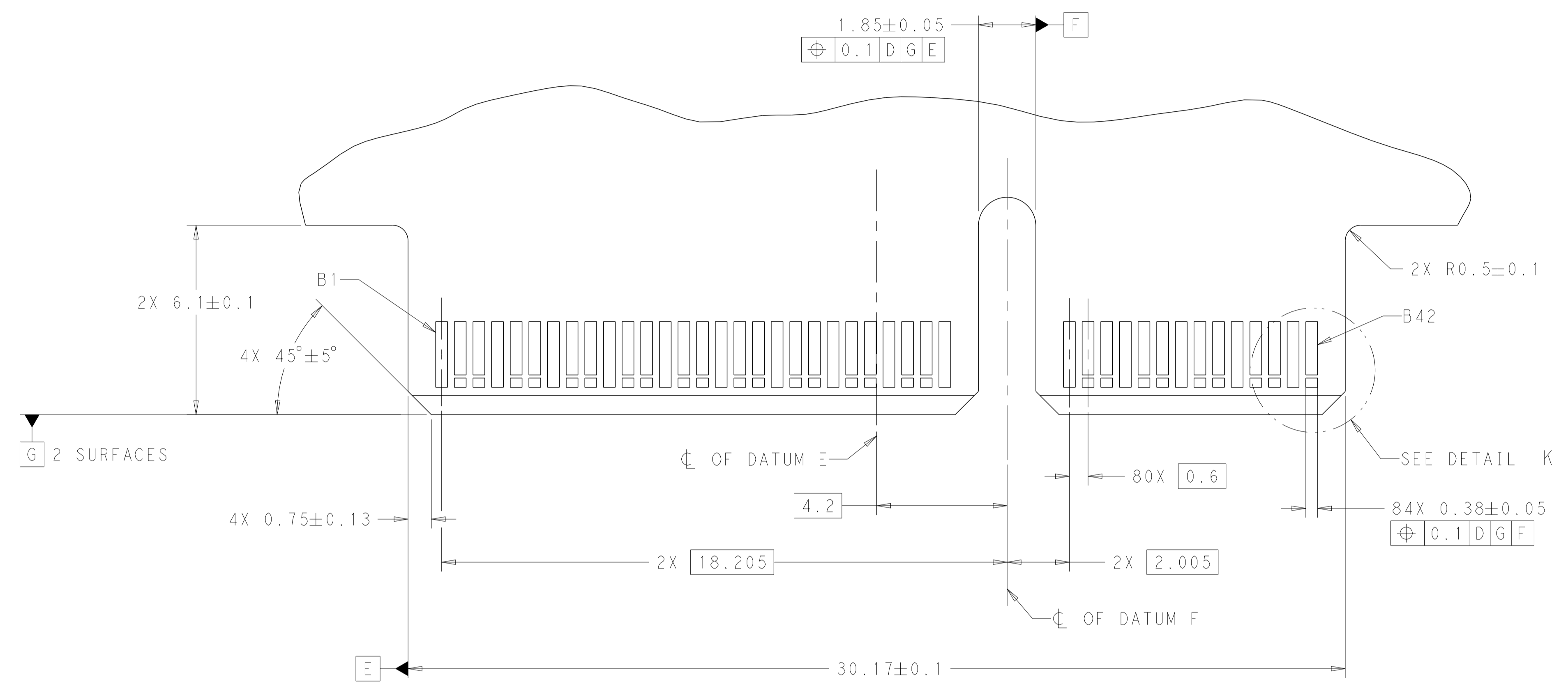
REVISIONS				
P.	LTN.	DESCRIPTION	DATE	APVD.
-	-	SEE SHEET 1	-	-



THIS DRAWING IS A CONTROLLED DOCUMENT.		DWN C. VALENTINE 16 JAN 2018	 TE Connectivity
DIMENSIONS:		CHK D. HARMON 16 JAN 2018	
TOLERANCES UNLESS OTHERWISE SPECIFIED:		APVD D. HARMON 16 JAN 2018	NAME RECEPTACLE ASSEMBLY, VERTICAL, 84 POSITION, SLIVER 2.0
mm	0 PLC ±	PRODUCT SPEC	108-130021
	1 PLC ±0.25	APPLICATION SPEC	114-130008
	2 PLC ±0.20	SIZE	A1
	3 PLC ±0.15	CAGE CODE	-
	4 PLC ±	DRAWING NO	C=2327678
	ANGLES ±	RESTRICTED TO	-
MATERIAL	FINISH	WEIGHT	CUSTOMER DRAWING
		SCALE	10:1
		SHEET	2 OF 4
		REV	C1

REVISIONS				
P	LTN	DESCRIPTION	DATE	APVD
-	-	SEE SHEET 1	-	-

RECOMMENDED PCB OUTLINE DIMENSIONS.
 TOLERANCE VALUES ARE CRITICAL. PLEASE BE SURE TO DESIGNATE
 TOLERANCES TO PCB SUPPLIER TO ENSURE OPTIMIZED FUNCTIONALITY.



THIS DRAWING IS A CONTROLLED DOCUMENT.		OWN C. VALENTINE 16 JAN 2018	TE Connectivity
DIMENSIONS: mm		CHK D. HARMON 16 JAN 2018	
TOLERANCES UNLESS OTHERWISE SPECIFIED:		APVD D. HARMON 16 JAN 2018	NAME RECEPTACLE ASSEMBLY, VERTICAL, 84 POSITION, SLIVER 2.0
0 PLC ±	1 PLC ±0.25	PRODUCT SPEC	108-130021
2 PLC ±0.20	3 PLC ±0.15	APPLICATION SPEC	-
4 PLC ±	ANGLES ±	SIZE	114-130008
MATERIAL	FINISH	WEIGHT	114-130008
CUSTOMER DRAWING		SCALE	10:1
SHEET		3	OF 4
REV		C1	

REVISIONS				
P	LTN	DESCRIPTION	DATE	APVD
-	-	SEE SHEET 1	-	-

TABLE 1: CONNECTOR CONTACT IDENTIFICATION

CONTACT NUMBER	SIDE A	SIDE B
1	GROUND	GROUND
2	SIGNAL	SIGNAL
3	SIGNAL	SIGNAL
4	GROUND	GROUND
5	SIGNAL	SIGNAL
6	SIGNAL	SIGNAL
7	GROUND	GROUND
8	SIGNAL	SIGNAL
9	SIGNAL	SIGNAL
10	GROUND	GROUND
11	SIGNAL	SIGNAL
12	SIGNAL	SIGNAL
13	GROUND	GROUND
14	SIGNAL	SIGNAL
15	SIGNAL	SIGNAL
16	GROUND	GROUND
17	SIGNAL	SIGNAL
18	SIGNAL	SIGNAL
19	GROUND	GROUND
20	SIGNAL	SIGNAL
21	SIGNAL	SIGNAL
22	GROUND	GROUND
23	SIGNAL	SIGNAL
24	SIGNAL	SIGNAL
25	GROUND	GROUND
26	SIGNAL	SIGNAL
27	SIGNAL	SIGNAL
28	GROUND	GROUND
29	GROUND	GROUND
30	SIGNAL	SIGNAL
31	SIGNAL	SIGNAL
32	GROUND	GROUND
33	SIGNAL	SIGNAL
34	SIGNAL	SIGNAL
35	GROUND	GROUND
36	SIGNAL	SIGNAL
37	SIGNAL	SIGNAL
38	GROUND	GROUND
39	SIGNAL	SIGNAL
40	SIGNAL	SIGNAL
41	GROUND	GROUND
42	GROUND	GROUND

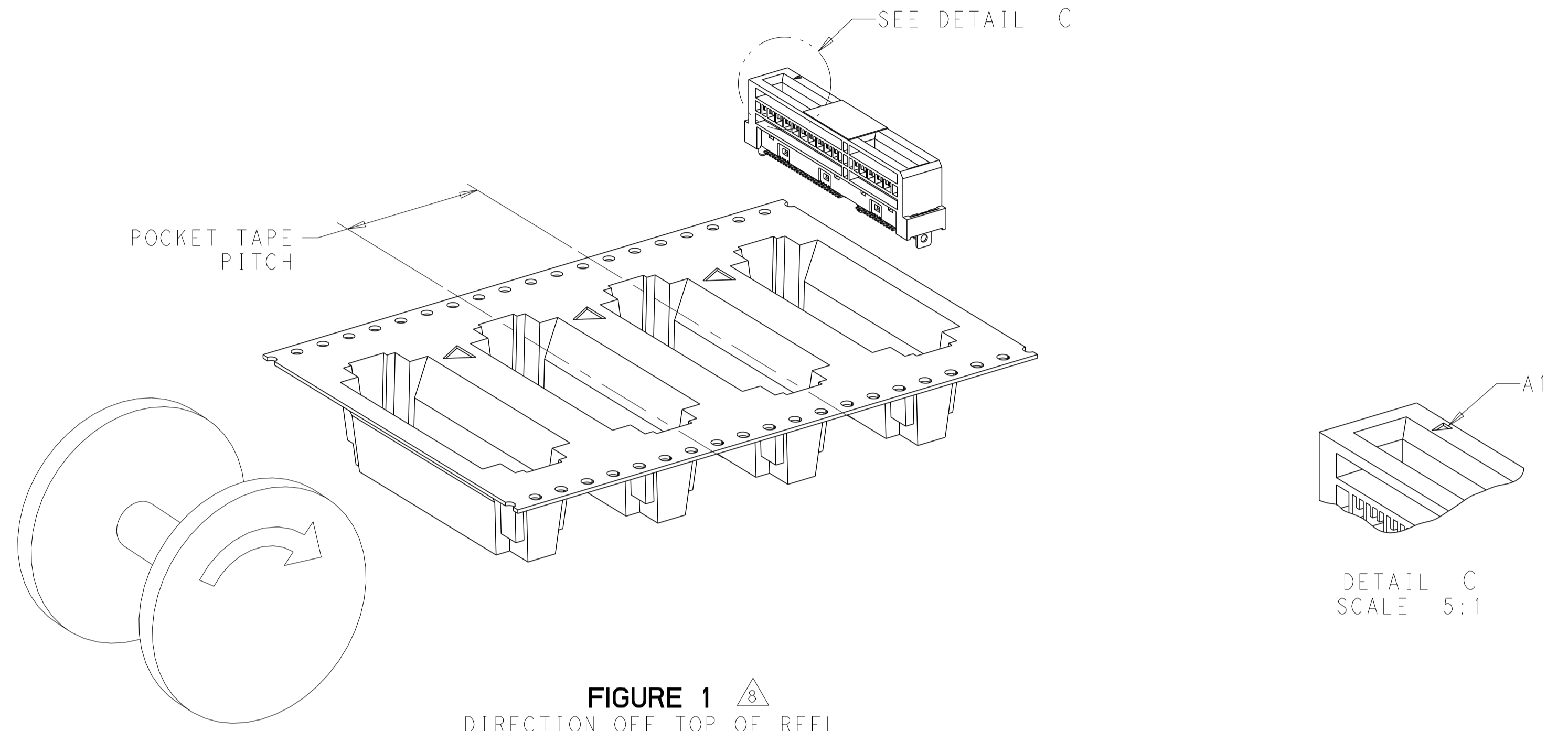


FIGURE 1
 DIRECTION OFF TOP OF REEL
 FOR USER UNREELING
 SHOWN AS 2327678-1 THRU 2327678-9
 SCALE 2:1

3.0±0.1	ALL	0.76µm Au	20	250	YES	200	3-2327678-3
1.2±0.1	ENDS	0.76µm Au	24	250	NO	200	1-2327678-9
		0.38µm Au				100	1-2327678-8
1.8±0.1	ENDS	FLASH Au/PdNi	24	250	NO	50	1-2327678-7
		0.76µm Au				200	1-2327678-6
		0.38µm Au				100	1-2327678-5
1.8±0.1	ALL	FLASH Au/PdNi	24	250	NO	50	1-2327678-4
		0.76µm Au				200	1-2327678-3
		0.38µm Au				100	1-2327678-2
1.2±0.1	ENDS	0.76µm Au	20	350	YES	200	2327678-9
		0.38µm Au				100	2327678-8
		FLASH Au/PdNi				50	2327678-7
1.8±0.1	ENDS	0.76µm Au	20	350	YES	200	2327678-6
		0.38µm Au				100	2327678-5
		FLASH Au/PdNi				50	2327678-4
1.8±0.1	ALL	0.76µm Au	20	350	YES	200	2327678-3
		0.38µm Au				100	2327678-2
		FLASH Au/PdNi				50	2327678-1
A	HOLD DOWNS	PLATING	POCKET TAPE PITCH	REEL QUANTITY	PICK AND PLACE TAPE	MATING CYCLES	PART NUMBER

THIS DRAWING IS A CONTROLLED DOCUMENT.

DIMENSIONS: mm
 TOLERANCES UNLESS OTHERWISE SPECIFIED:
 0 PLC ±
 1 PLC ±0.25
 2 PLC ±0.20
 3 PLC ±0.15
 4 PLC ±
 ANGLES ±
 FINISH ±

MATERIAL: 114-130008
 WEIGHT: -
 CUSTOMER DRAWING

DWN: C. VALENTINE 16JAN2018
 CHK: D. HARMON 16JAN2018
 APVD: D. HARMON 16JAN2018

NAME: RECEPTACLE ASSEMBLY, VERTICAL, 84 POSITION, SLIVER 2.0
 PRODUCT SPEC: 108-130021
 APPLICATION SPEC: -
 SIZE: A1
 CAGE CODE: -
 DRAWING NO: C=2327678
 RESTRICTED TO: -
 SCALE: 10:1
 SHEET: 4 OF 4
 REV: C1

TE Connectivity